

OPPO | ROTO

OPPO | ROTO



**PRODUCT  
GALLERY**  
CATALOG EDITION

ENJOY  
a passionate  
**LIFE** with  
The best quality

LIGHTINGS  
FIXTURES  
**2023**

# About Us

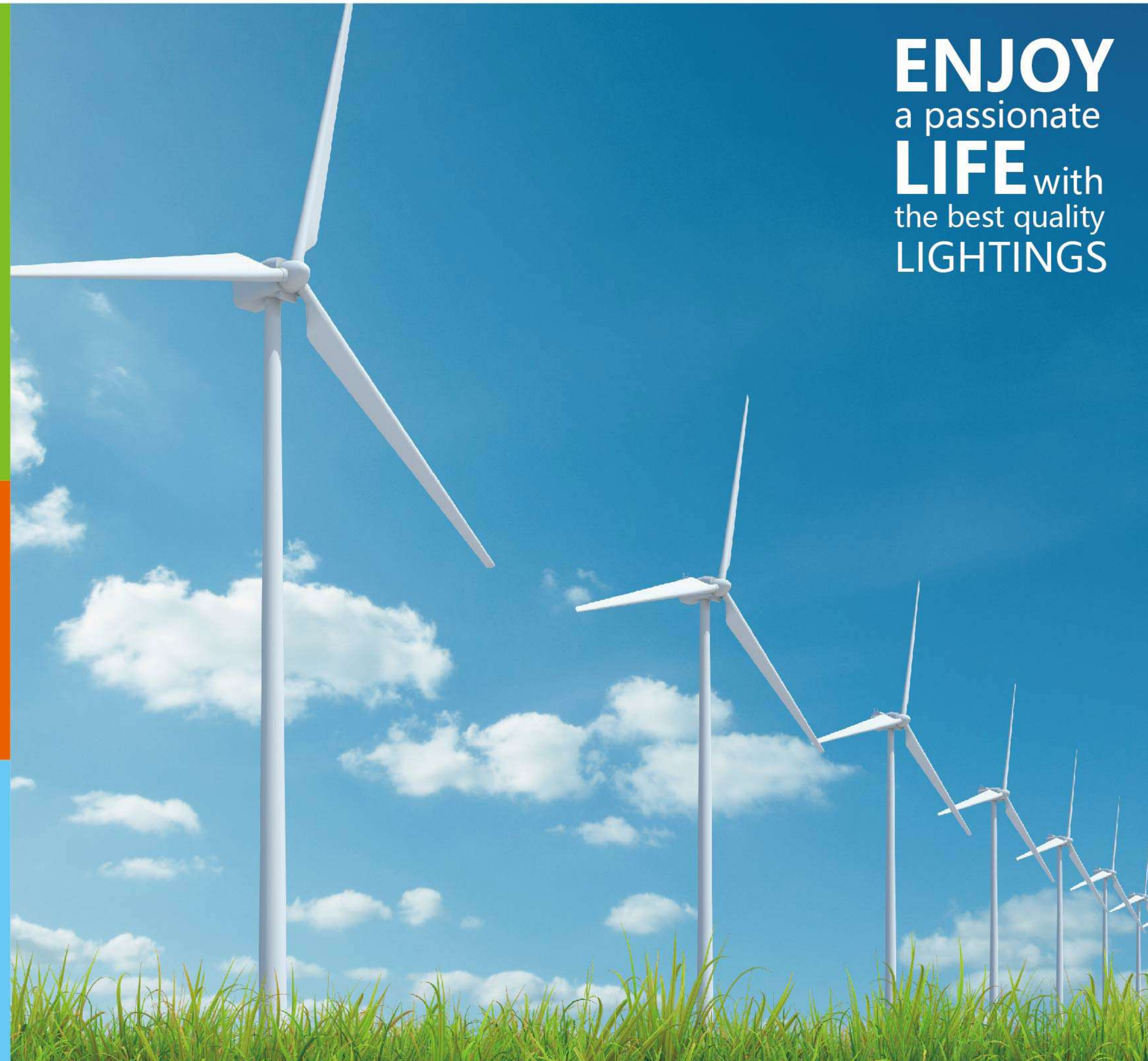
CHEN ZHANG ENTERPRISES CORPORATION is the absolute distributor of Oppo Electricals and Lighting. It was incorporated in the Philippines and registered with the Philippine Securities and Exchange Commission (SEC) on September 14, 2004. Since then it has been blessed a reputation over the years for quality lighting fixtures and wiring devices.

# Mission

The main purpose of Chen Zhang Ent. Corp is to outreach our customers' expectations in quality, delivery and cost through continuous improvement and customer service.

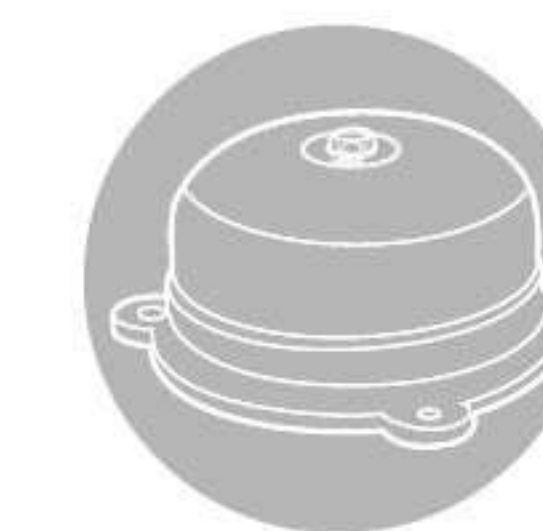
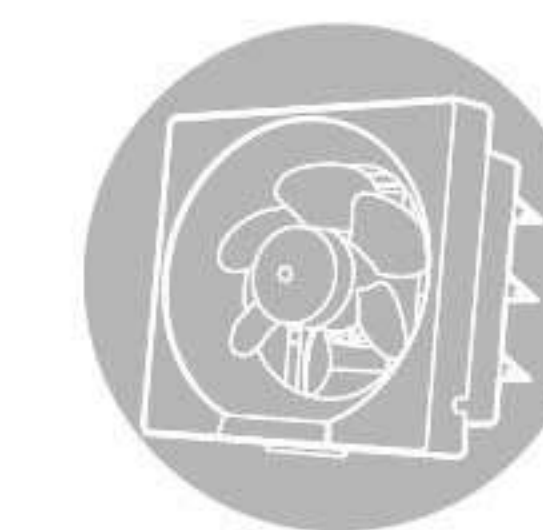
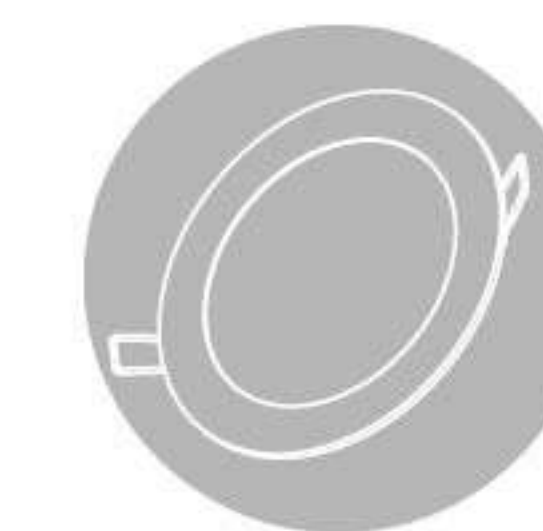
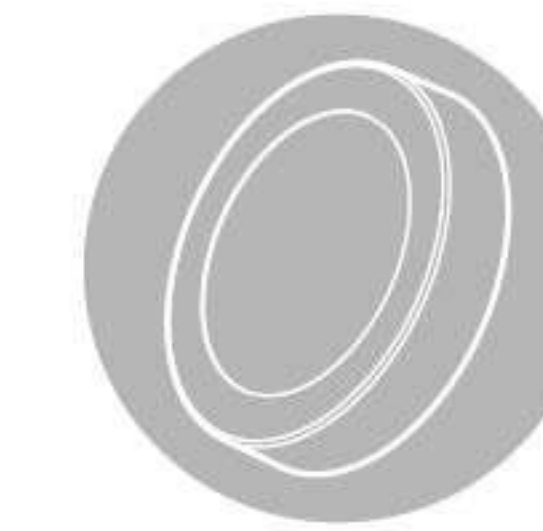
# Vision

To become the most successful and respected electrical company in the Philippines. And to produce more advanced electrical, wiring devices and related products.



ENJOY  
a passionate  
**LIFE** with  
the best quality  
**LIGHTINGS**

# OUR PRODUCTS



# LIGHTING ACCESSORIES

**103**  
WEATHERPROOF SOCKET  
E27  
12 PCS/PACK  
240 PCS/CTN  
P24.00



**114**  
CURRENT TAP SOCKET  
E27  
Keyless w/2 Flat Pin Outlet  
12 PCS/PACK  
240 PCS/CTN  
P36.50



**104**  
PULL CHAIN W/ SOCKET  
E27  
2 Flat Pin Outlet  
12 PCS/PACK  
240 PCS/CTN  
P47.50



**203**  
SOCKET PLUG  
E27 3A 250V  
12 PCS/PACK  
240 PCS/CTN  
P28.00



**E12-105**  
CANDELABRA SOCKET  
24 PCS/PACK  
600 PCS/CTN  
P12.50



**E14-105**  
CANDELABRA SOCKET  
24 PCS/PACK  
600 PCS/CTN  
P12.50



**106**  
RECEPTACLE(2X2)  
E27  
12 PCS/PACK  
240 PCS/CTN  
P20.00



**107**  
CANDELABRA SOCKET  
E27  
12 PCS/PACK  
240 PCS/CTN  
P20.00



**108**  
RECEPTACLE(3X3)  
E27  
12 PCS/PACK  
120 PCS/CTN  
P27.00



**109**  
RECEPTACLE(4X4)  
E27  
12 PCS/PACK  
120 PCS/CTN  
P31.00



# OUTLET ACCESSORIES

**2022**  
SURFACE TYPE DOUBLE OUTLET  
10A 250V  
12 PCS/BOX  
360 PCS/CTN  
P48.00



**2033**  
SURFACE TYPE 3-GANG OUTLET  
10A 250V  
12 PCS/BOX  
360 PCS/CTN  
P61.50



**2044**  
SURFACE TYPE 4-GANG OUTLET  
10A 250V  
12 PCS/BOX  
240 PCS/CTN  
P81.50



**WOU 102**  
SPRING TYPE OUTLET  
10A 250V  
12 PCS/PACK  
360 PCS/CTN  
P36.00



**WOU 103**  
SPRING TYPE OUTLET  
10A 250V  
12 PCS/PACK  
360 PCS/CTN  
P48.50



**716**  
HANGING SWITCH  
3AX 250V  
24 PCS/PACK  
600 PCS/CTN  
P20.50



**738**  
SQUARE SWITCH  
10A 250V  
12 PCS/BOX  
600 PCS/CTN  
P31.00



# PLUG ACCESSORIES

**101**  
**FEMALE PLUG**  
 10A 250V  
 24 PCS/PACK  
 1200 PCS/CTN  
 P13.50



**001**  
**ELECTRICAL PLUG (W/BLISTER)**  
 3A 250V  
 24 PCS/PACK  
 1200 PCS/CTN  
 P9.50



**001-A**  
**ELECTRICAL PLUG**  
 3A 250V  
 30 PCS/BOX  
 600 PCS/CTN  
 P7.50



**002**  
**REGULAR PLUG**  
 10A 250V  
 24 PCS/PACK  
 720 PCS/CTN  
 P18.50



**003**  
**RUBBER PLUG L.D**  
 6A 250V  
 24 PCS/PACK  
 480 PCS/CTN  
 P23.50



**005**  
**RUBBER PLUG H.D**  
 10A 250V  
 24 PCS/PACK  
 480 PCS/CTN  
 P24.50



**006**  
**PARALLEL GROUND RUBBER PLUG**  
 15A 250V  
 12 PCS/PACK  
 360 PCS/CTN  
 P37.50



**WUO 001**  
**CORD CONNECTION BODY-FEMALE**  
 10A 250V  
 24 PCS/PACK  
 480 PCS/CTN  
 P25.50



**WUO 101**  
**CORD CONNECTION BODY-MALE**  
 10A 250V  
 24 PCS/PACK  
 480 PCS/CTN  
 P25.50



**WUO 011**  
**REGULAR ADAPTER**  
 10A 250V  
 24 PCS/PACK  
 480 PCS/CTN  
 P24.50



**WUO 113**  
**PARALLEL GROUND PLUG**  
 15A 250V  
 12 PCS/PACK  
 240 PCS/CTN  
 P58.50



**WUO 113A**  
**PARALLEL GROUND PLUG**  
 15A 250V  
 12 PCS/PACK  
 240 PCS/CTN  
 P58.50



**WUO 002**  
**UNIVERSAL SOCKET ADAPTER**  
 10A 250V  
 12 PCS/PACK  
 480 PCS/CTN  
 P44.50



**WUO 003**  
**UNIVERSAL SOCKET ADAPTER**  
 10A 250V  
 12 PCS/PACK  
 480 PCS/CTN  
 P42.50



**WUS 102**  
**UNIVERSAL SOCKET W/SWITCH**  
 10A 250V  
 12 PCS/PACK  
 240 PCS/CTN  
 P87.50



# DUAL PORTABLE EXTENSION

**EC-203**  
**2 GANG EXTENSION 3M**  
 10A 250V  
 60 PCS/CTN  
 P86.00



**EC-205**  
**2 GANG EXTENSION 5M**  
 10A 250V  
 60 PCS/CTN  
 P110.00



**EC-303**  
**3 GANG EXTENSION 3M**  
 10A 250V  
 60 PCS/CTN  
 P105.00



**EC-305**  
**3 GANG EXTENSION 5M**  
 10A 250V  
 60 PCS/CTN  
 P128.00



**SO-303**  
**DUAL PORTABLE EXTENSION**  
 10A 250V  
 48 PCS/CTN  
 P129.00



**SO-305**  
**DUAL PORTABLE EXTENSION**  
 10A 250V  
 48 PCS/CTN  
 P166.00



**SE-303**  
**DUAL PORTABLE EXTENSION**  
 10A 250V  
 48 PCS/CTN  
 P144.00



**SE-305**  
**DUAL PORTABLE EXTENSION**  
 10A 250V  
 48 PCS/CTN  
 P199.50



## EXTENSION CORD



**REC-101A**  
**3 WAY**  
**EXTENSION 1.8M**  
 10A 250V  
 (LONGMAX.POWER  
 2.500 WATTS)  
 24 PCS/CTN  
 P420.00

**REC-102A**  
**4 WAY**  
**EXTENSION 1.8M**  
 10A 250V  
 (LONGMAX.POWER  
 2.500 WATTS)  
 24 PCS/CTN  
 P450.00

**REC-103A**  
**5 WAY**  
**EXTENSION 1.8M**  
 10A 250V  
 (LONGMAX.POWER  
 2.500 WATTS)  
 24 PCS/CTN  
 P510.00

**REC-104A**  
**4 WAY**  
**EXTENSION 1.8M**  
 10A 250V  
 (LONGMAX.POWER  
 2.500 WATTS)  
 24 PCS/CTN  
 P580.00

**REC-104B**  
**4 WAY USB(5V=2.1A)**  
**EXTENSION 1.8M**  
 10A 250V  
 (LONGMAX.POWER  
 2.500 WATTS)  
 24 PCS/CTN  
 P680.00



## DECORATION AND OUTDOOR **CFL BULBS** PROFESSIONAL LIGHTING



## COLORED MINI CANDLE BULB



CAP	E12
Energy consumption	5W
Input Voltage	220V
Quantity	25 PCS/BOX 1000 PCS/CTN
Color	Blue \ Red \ Green\ Yellow \ Clear
Price	P8.50

## FLAME BULB



CAP	E12
Energy consumption	3W
Input Voltage	220V
Quantity	25 PCS/BOX 1000 PCS/CTN
Price	P22.50

## LED BULB LIGHT ENERGY A CLASS



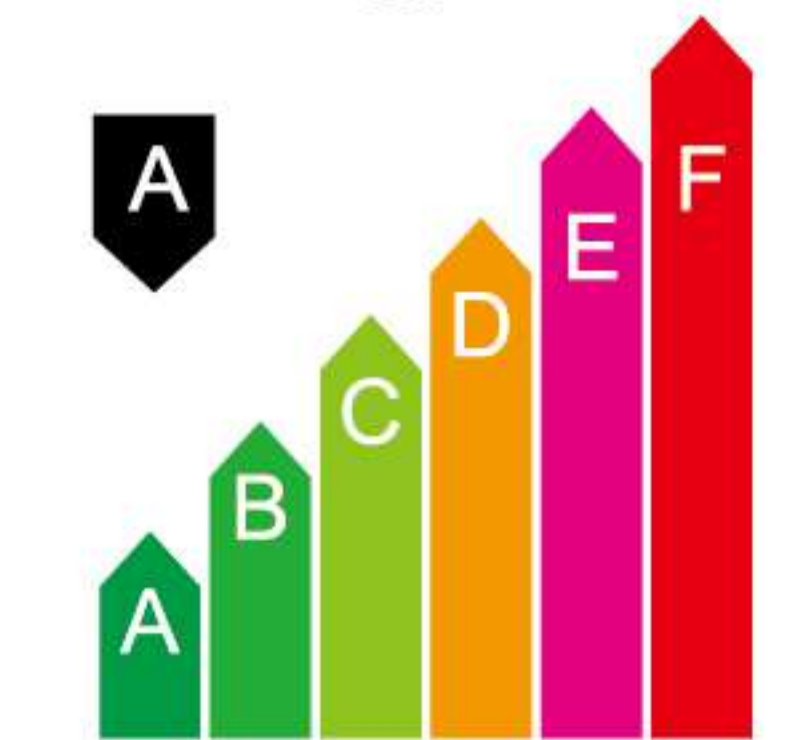
· COLOR TEMPERATURE : 3000/6500K



YTC37A1

Description	Watt	Voltage	P.F:	CAP	Lumen	Equivalent wattage	Size	Quantity	Price
CANDLE BULB									
YTC37A1	3W	IC 220-240V	0.5/0.9	E14	210LM	32W	Φ37x101mm	50 PCS/CTN	P56.00
YTC37A1	3W	IC 220-240V	0.5/0.9	E27	270LM	32W	Φ37x101mm	50 PCS/CTN	P56.00

Energy saving



## LED BULB



YTG45A1

CAP	E27
Watt	3W
Votage	IC 150-240V
P.F:	0.5/0.9
Lumen	250
Equivalent wattage	32
Size	Φ45x80mm
Quantity	50 PCS/CTN
Color	BLUE / RED / GREEN / YELLOW
Price	P63.00



YTG45A1 / YTA60E1 / YTA80E1

Description	Watt	Voltage	CAP	P.F:	Lumen	Equivalent wattage	Size	Quantity	Price
LED BULB									
YTG45A1	3W	IC 150-240	E27	0.5/0.9	250	32	Φ45x80mm	50 PCS/CTN	P56.00
YTA60E1	5W	IC 150-240	E27	0.5/0.9	450	40	Φ60x110mm	50 PCS/CTN	P70.00
YTA60E1	7W	IC 150-240	E27	0.5/0.9	630	48	Φ60x110mm	50 PCS/CTN	P80.00
YTA60E1	9W	IC 150-240	E27	0.5/0.9	800	60	Φ60x110mm	50 PCS/CTN	P90.00
YTA60E1	12W	IC 150-240	E27	0.5/0.9	1000	75	Φ60x125mm	50 PCS/CTN	P105.00
YTA70E1	15W	IC 150-240	E27	0.5/0.9	1350	90	Φ70x144mm	50 PCS/CTN	P120.00
YTA80E1	20W	IC 150-240	E27	0.5/0.9	2000	110	Φ80x150mm	40 PCS/CTN	P170.00

# LED BULB LIGHT

## ENERGY A CLASS

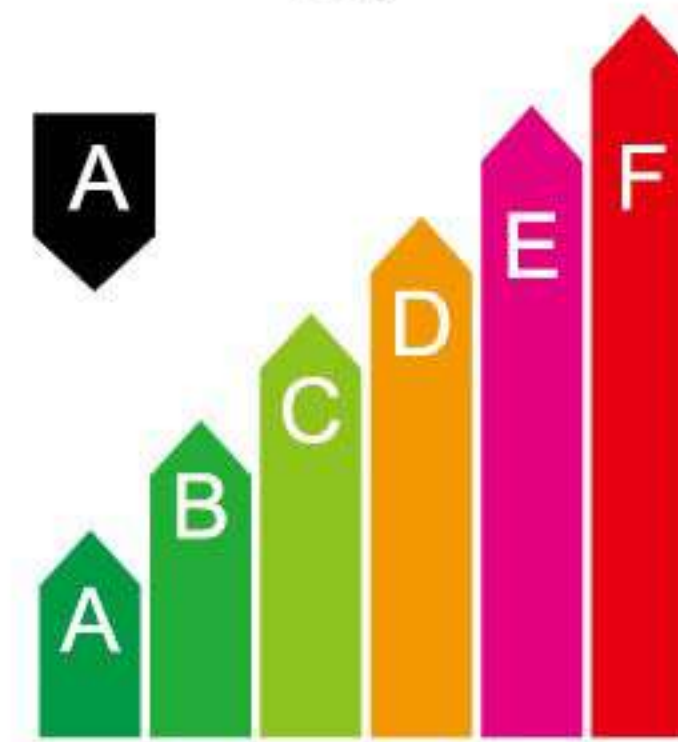


· COLOR TEMPERATURE : 3000/6500K



**B6**

- ENERGY SAVING
- LONG LIFE
- HIGH COLOR RENDERING NUMBER



Description	Watt	Voltage	P.F:	CAP	Lumen	Equivalent wattage	Size	Quantity	Price
YTPDGLB6	5W	220-240V~	0.5	E27	500LM	40W	Φ38x85mm	50 PCS/CTN	P85.00
YTPDGLB6	7W	220-240V~	0.5	E27	700LM	50W	Φ45x95mm	50 PCS/CTN	P95.00
YTPDGLB6	9W	220-240V~	0.5	E27	700LM	70W	Φ45x95mm	50 PCS/CTN	P105.00
YTPDGLB6	12W	220-240V~	0.5	E27	1100LM	90W	Φ55x115mm	50 PCS/CTN	P125.00



**B2**

Description	Watt	Voltage	P.F:	CAP	Lumen	Equivalent wattage	Size	Quantity	Price
YTPDGLB2	15W	IC 150-240V	0.5/0.9	E27	1350LM	25CFL W	Φ65x125mm	24 PCS/CTN	P190.00
YTPDGLB2	20W	IC 150-240V	0.5/0.9	E27	1800LM	35CFL W	Φ80x150mm	24 PCS/CTN	P230.00
YTPDGLB2	30W	IC 150-240V	0.5/0.9	E27	2700LM	45CFL W	Φ100x185mm	12 PCS/CTN	P300.00
YTPDGLB2	40W	IC 150-240V	0.5/0.9	E27	3600LM	65CFL W	Φ118x213mm	12 PCS/CTN	P380.00

# LED BULB LIGHT

## ENERGY A CLASS

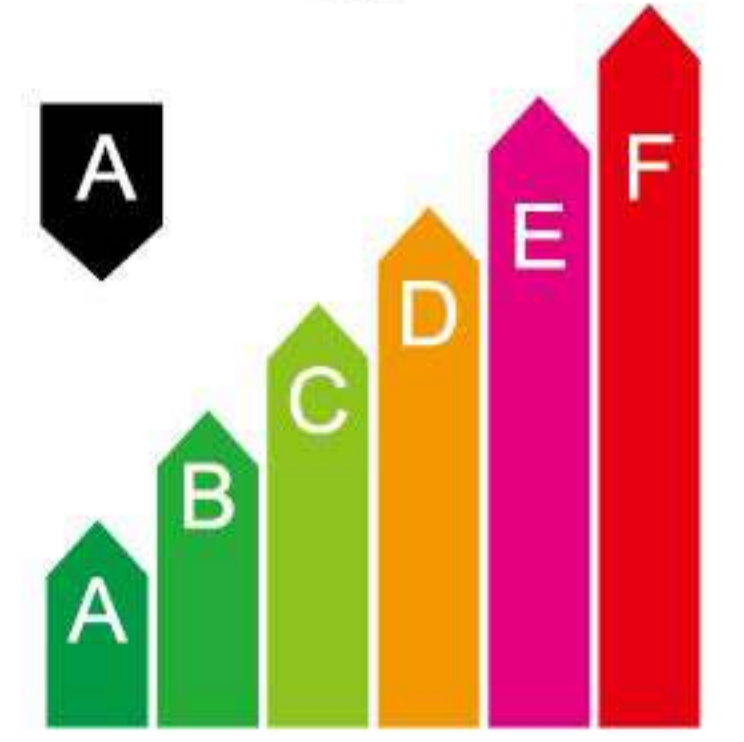


· COLOR TEMPERATURE : 3000/6500K



**YTG80A1 / YTG95A1 / YTG120A1**

Description	Watt	Voltage	P.F:	CAP	Lumen	Equivalent wattage	Size	Quantity	Price
YTG80A1	7W	IC 150-240V	0.5/0.9	E27	720LM	48W	Φ80x120mm	20 PCS/CTN	P180.00
YTG95A1	9W	IC 150-240V	0.5/0.9	E27	900LM	60W	Φ95x147mm	20 PCS/CTN	P220.00
YTG120A1	12W	IC 150-240V	0.5/0.9	E27	1050LM	75W	Φ120x175mm	20 PCS/CTN	P280.00



**UFO**

Description	Watt	Voltage	P.F:	CAP	Lumen	Equivalent wattage	Size	Quantity	Price
YTPDGLF1-L	15W	IC 150-240V	0.5	E27	1200LM	25CFL W	Φ110x120mm	20 PCS/CTN	P250.00
YTPDGLF1-L	20W	IC 150-240V	0.5	E27	1600LM	35CFL W	Φ120x122mm	20 PCS/CTN	P280.00
YTPDGLF1-L	30W	IC 150-240V	0.5	E27	2400LM	45CFL W	Φ130x140mm	12 PCS/CTN	P350.00
YTPDGLF1-L	50W	IC 150-240V	0.5	E27	4000LM	85CFL W	Φ150x160mm	12 PCS/CTN	P510.00

# LED BULB



**PAR-38**

Description	Watt	Voltage	P.F:	Lumen	CAP	Size	Quantity	Price
YTPAR38A2	12W	220-240V~	0.5	1080LM	E27	Φ120x128mm	24 PCS/CTN	P430.00
YTPAR38A2	15W	220-240V~	0.5	1350LM	E27	Φ120x128mm	24 PCS/CTN	P500.00

# LED BULB LIGHT ENERGY A CLASS



**YTPDGLE5**

Description	Watt	Voltage	P.F:	Lumen	CAP	Size	Quantity	BULB Price	CASE Price
YTPDGLE5	50W	IC 170-240V	0.5	4500LM	E27	Φ118x213mm	20 PCS/CTN	P430.00	P150.00
YTPDGLE5	70W	IC 170-240V	0.9	6300LM	E27	Φ140x251mm	12 PCS/CTN	P830.00	—
YTPDGLE5	100W	IC 170-240V	0.9	9000LM	E40	Φ140x268mm	8 PCS/CTN	P1,140.00	—

# ALUMINUM LAMP COVER

ASSEMBLY EFFECT:



ACCESSORIES:



ASSEMBLY EFFECT:



ACCESSORIES:



Description	Size(WxH)	Price
12" INCHES	29.0x16.0CM	P110.00
14" INCHES	33.5x16.0CM	P120.00
16" INCHES	35.0x18.5CM	P130.00
19" INCHES	44.0x18.0CM	P190.00



Description	Voltage	Price
E27	250V 6A	P250.00
E40	250V 6A	P260.00



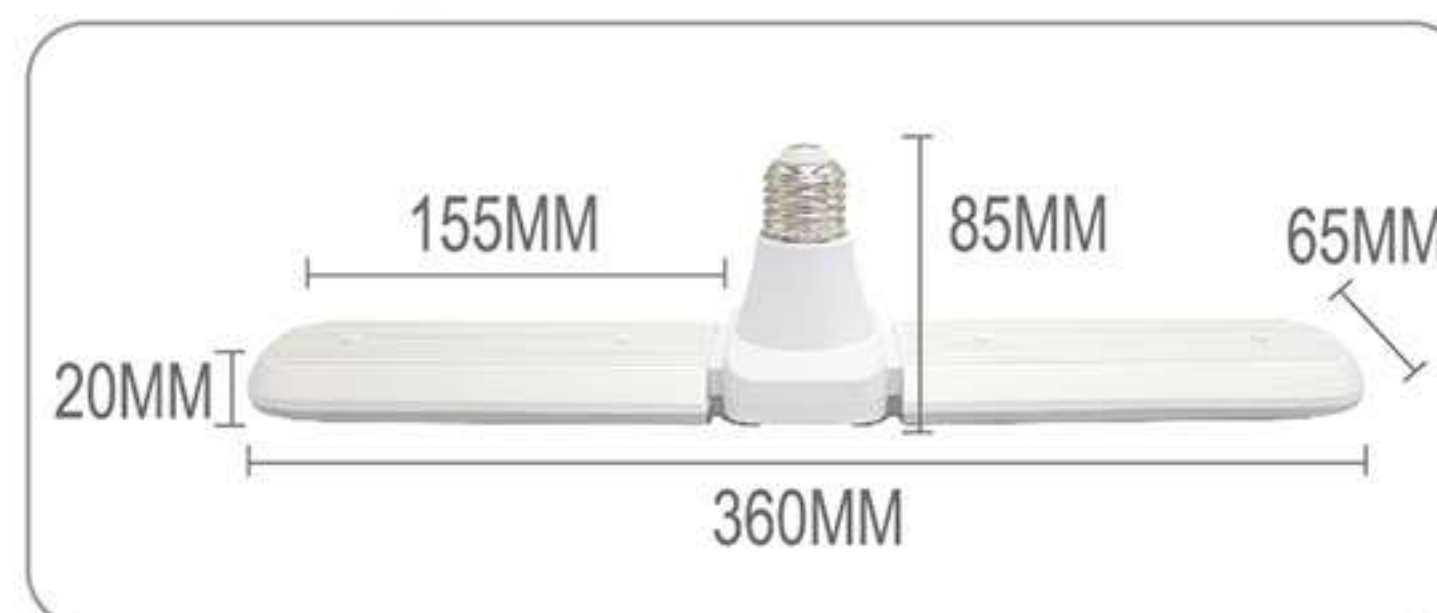
# FOLDABLE FAN BLADE LED BULB

**K2**



**20W**

Description	YTPDGLK2
Voltage	IC 150-240V
Watt	20W
Lumen output	2000LM
P.F	0.5
CAP	E27
Quantity	24 PCS/CTN
Price:	P240.00



**30W**

Description	YTPDGLK2
Voltage	IC 150-240V
Watt	30W
Lumen output	3000LM
P.F	0.5
CAP	E27
Quantity	24 PCS/CTN
Price:	P300.00



**40W**

Description	YTPDGLK2
Voltage	IC 150-240
Watt	40W
Lumen output	4000LM
P.F	0.5
CAP	E27
Quantity	12 PCS/CTN
Price:	P390.00



# MOSQUITO REPELLENT LAMP

- PC yellow diffuser with mosquito repellent spectrum
- Big beam angle, uniform illumination
- Soft light without strobe, eye comfort
- High quality 2835LED chips
- Safe and reliable



**YTA60E4-MR**

**YTT80B7-MR**



Description	Watt	Voltage	CRI	Luminous flux	PF:	CAP	Dimension	Quantity	Price
YTA60E4-MR	9W	DC12-24V	≥80	720LM	0.5	E27/B22	Ø60x108	50 PCS/CTN	P155.00

Description	Watt	Voltage	CRI	Luminous flux	PF:	CAP	Dimension	Quantity	Price
YTT80B7-MR	20W	170-240V	≥80	1800LM	0.5	E27/B22	Ø100x180	24 PCS/CTN	P318.00

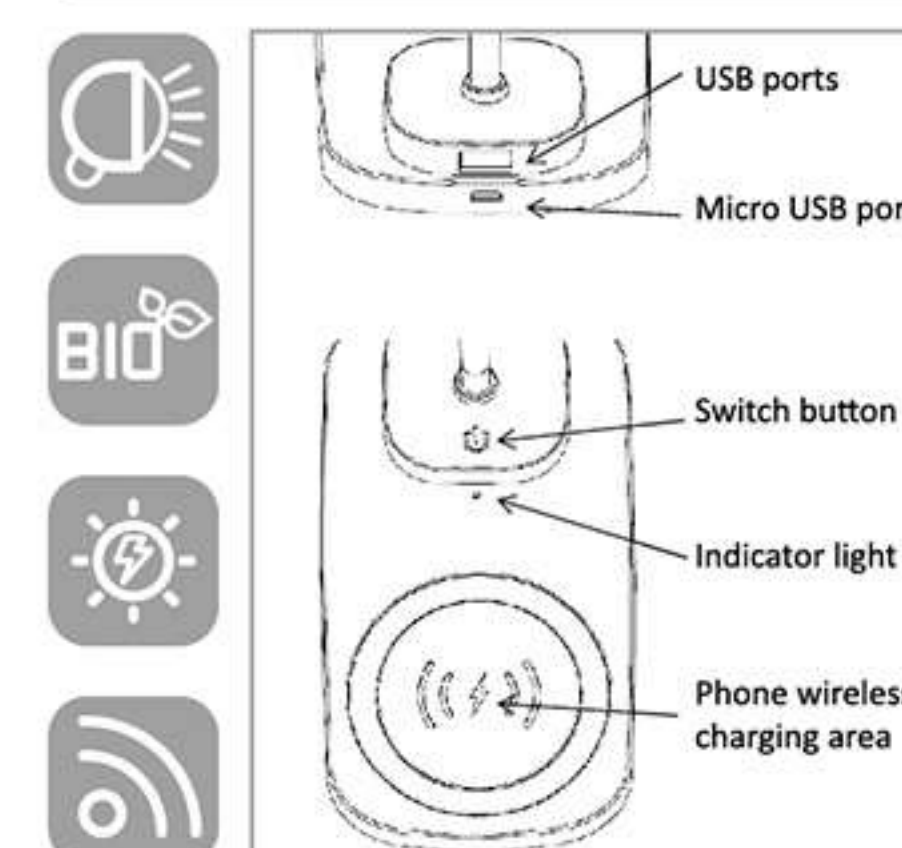
# DESK LAMP W/ WIRELESS CHARGER

## HIGH QUALITY LED LAMP

**DL-001-W**

- WIRELESS CHARGING POWER 10W
- ENERGY-EFFICIENT
- LONG-LASTING LED
- 3 COLOR TEMPERATURE
- 400 LUMENS
- USB OUTPUT 5V

HIGH QUALITY LED LAMP BEADS



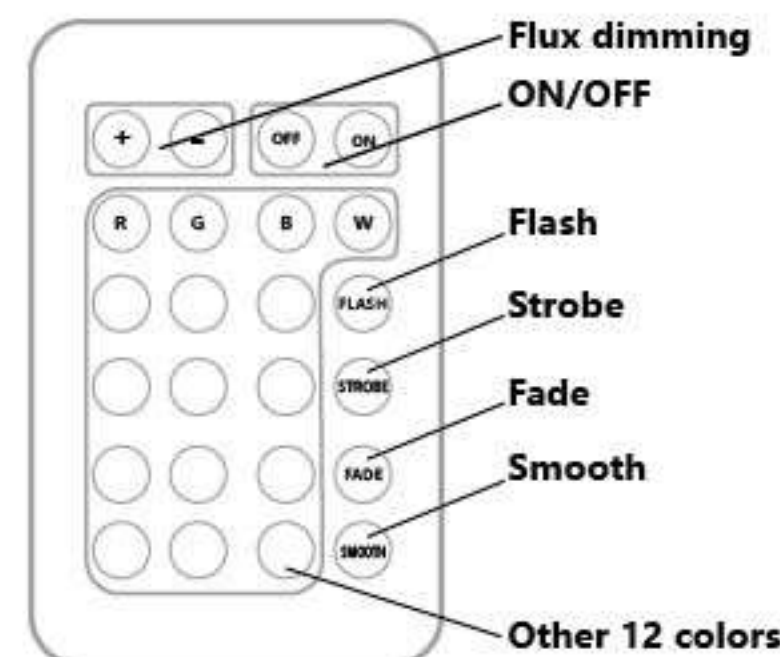
Voltage	100-240V
Watt	4W
P.F:	0.5
Lumen	400LM
Beam angle	200
CRI	≥80
CCT option(k)	RGB
Bulb size(mm)	60x110
Quantity	20 PCS/CTN
Price	P1,100.00



# RGB LED BULB W/REMOTE CONTROL

## YTA60E11-DRP

Volatage	IC 170-240V
Watt	max 5W
P.F:	0.5
CAP	E27
Lumen	450lm max
beam angle	200
CRI	≥80
CCT option(k)	RGB-W
Bulb size	60x110mm
Quantity	50 PCS/CTN
Price	P200.00



## COLOR BULB , COLORFUL LIFE

- Max 5 Watts and 450lm output , much efficiency
- High quality RGB-W LD
- IR 24 Keys remote controler :
  - 16 colors preset , adjust as your like ;
  - 4 Modes , one key to make a wonderful atmosphere ;
  - Brightness dimming ;
- IC with memory

# FILAMENT LIGHT



## YTC35Z1

Description	Watt	Voltage	P.F:	CAP	Lumen	CRI	Equivalent wattage	Size	Quantity	Price
YTC35Z1-C	3W	120/240V	0.5/0.9	E14	400LM	80	25W	Φ35x98mm	50 PCS/CTN	P100.00
YTC35Z1-C	5W	120/240V	0.5/0.9	E14	600LM	80	40W	Φ35x98mm	50 PCS/CTN	P130.00
YTC35Z1-G	3W	120/240V	0.5/0.9	E14	360LM	80	25W	Φ35x98mm	50 PCS/CTN	P100.00
YTC35Z1-G	5W	120/240V	0.5/0.9	E14	540LM	80	40W	Φ35x98mm	50 PCS/CTN	P130.00

# LED EMERGENCY BULB

- Color Temperature: 6500K
- With E27 lampholder
- Adjusting brightness in three gears,  
Meeting the needs of different scenarios

## EMD



# FILAMENT LIGHT



## YTA60Z1

Description	Watt	Voltage	P.F:	CAP	Lumen	CRI	Equivalent wattage	Size	Quantity	Price
YTA60Z1-C	5W	100-240V	0.5/0.9	E27	400LM	80	40W	Φ60x109mm	50 PCS/CTN	P120.00
YTA60Z1-C	7W	100-240V	0.5/0.9	E27	600LM	80	60W	Φ60x109mm	50 PCS/CTN	P170.00
YTA60Z1-G	5W	100-240V	0.5/0.9	E27	360LM	80	40W	Φ60x109mm	50 PCS/CTN	P120.00
YTA60Z1-G	7W	100-240V	0.5/0.9	E27	540LM	80	60W	Φ60x109mm	50 PCS/CTN	P170.00

Description	Watt	Voltage	Beam Angle	CRI	P.F:	Cap	Lumen	Size	Quantity	Price
YTA60EMD	7W	60HZ 170~240V	120°	≥80	0.5	E27	700LM	Φ70x142mm	50 PCS/CTN	P280.00
YTA70EMD	9W	60HZ 170~240V	120°	≥80	0.5	E27	900LM	Φ80x154mm	40 PCS/CTN	P300.00
YTA80EMD	12W	60HZ 170~240V	120°	≥80	0.5	E27	1200LM	Φ70x154mm	40 PCS/CTN	P335.00

## FILAMENT LIGHT



YTG80Z1 / YTG95Z1 / YTG125Z1

Description	Watt	Voltage	P.F:	CAP	Lumen	CRI	Equivalent wattage	Size	Quantity	Price
YTG80Z1-C	5W	100-240V	0.5/0.9	E27	400LM	80	40W	Φ80x116mm	20 PCS/CTN	P160.00
YTG80Z1-C	7W	100-240V	0.5/0.9	E27	600LM	80	60W	Φ80x116mm	20 PCS/CTN	P220.00
YTG80Z1-G	5W	100-240V	0.5/0.9	E27	360LM	80	40W	Φ80x116mm	20 PCS/CTN	P160.00
YTG80Z1-G	7W	100-240V	0.5/0.9	E27	540LM	80	60W	Φ80x116mm	20 PCS/CTN	P220.00

Description	Watt	Voltage	P.F:	CAP	Lumen	CRI	Equivalent wattage	Size	Quantity	Price
YTG95Z1-C	5W	100-240V	0.5/0.9	E27	400LM	80	40W	Φ95x134mm	12 PCS/CTN	P190.00
YTG95Z1-C	7W	100-240V	0.5/0.9	E27	600LM	80	60W	Φ95x134mm	12 PCS/CTN	P240.00
YTG95Z1-G	5W	100-240V	0.5/0.9	E27	360LM	80	40W	Φ95x134mm	12 PCS/CTN	P190.00
YTG95Z1-G	7W	100-240V	0.5/0.9	E27	540LM	80	60W	Φ95x134mm	12 PCS/CTN	P240.00

Description	Watt	Voltage	P.F:	CAP	Lumen	CRI	Equivalent wattage	Size	Quantity	Price
YTG125Z1-C	5W	100-240V	0.5/0.9	E27	400LM	80	40W	Φ125x172mm	12 PCS/CTN	P250.00
YTG125Z1-C	7W	100-240V	0.5/0.9	E27	600LM	80	60W	Φ125x172mm	12 PCS/CTN	P290.00
YTG125Z1-G	5W	100-240V	0.5/0.9	E27	360LM	80	40W	Φ125x172mm	12 PCS/CTN	P250.00
YTG125Z1-G	7W	100-240V	0.5/0.9	E27	540LM	80	60W	Φ125x172mm	12 PCS/CTN	P290.00

## FILAMENT LIGHT



YTST64Z1

Description	Watt	Voltage	P.F:	CAP	Lumen	CRI	Equivalent wattage	Size	Quantity	Price
YTST64Z1-C	5W	100-240V	0.5/0.9	E27	400LM	80	40W	Φ64x140mm	50 PCS/CTN	P140.00
YTST64Z1-C	7W	100-240V	0.5/0.9	E27	600LM	80	60W	Φ64x140mm	50 PCS/CTN	P160.00
YTST64Z1-G	5W	100-240V	0.5/0.9	E27	360LM	80	40W	Φ64x140mm	50 PCS/CTN	P140.00
YTST64Z1-G	7W	100-240V	0.5/0.9	E27	540LM	80	60W	Φ64x140mm	50 PCS/CTN	P160.00



## LED T8 TUBE-GLASS

YTT8A2

SINGLE END/DOUBLE END

Description	Voltage	Watt	Lumen	Equivalent wattage	P.F:	CCT Optional	Life Time	Size	Quantity	Price
YTT8A2	IC 170-240V	9W	800LM	18W	0.5	3000-6500K	25,000Hr	589.8x30x30mm	25 PCS/CTN	P140.00
YTT8A2	IC 170-240V	18W	1600LM	36W	0.5	3000-6500K	25,000Hr	1199.4x30x30mm	25 PCS/CTN	P170.00
YTT8A2	IC 170-240V	20W	2000LM	40W	0.5	3000-6500K	25,000Hr	1199.4x30x30mm	25 PCS/CTN	P180.00



## ACCESSORY: LED TUBE CLIP HOLDER

CS-002 200PCS/CTN  
P25.00

Accessories are for single end only

## LED T5 PC BATTEN SMD4014

PC extrusion batten with non-isolated driver, ultra-competitive on cost and safe for its design. Have unique heat-sink design in it, make the batten's temperature under limit. Uniform & soft light output, no black space connection, K Slim in size, various in length, can be mostly applied in cove or cabin, easy installation. Life reaches 30,000hrs, 6 times of traditional T5 fluorescent batten.



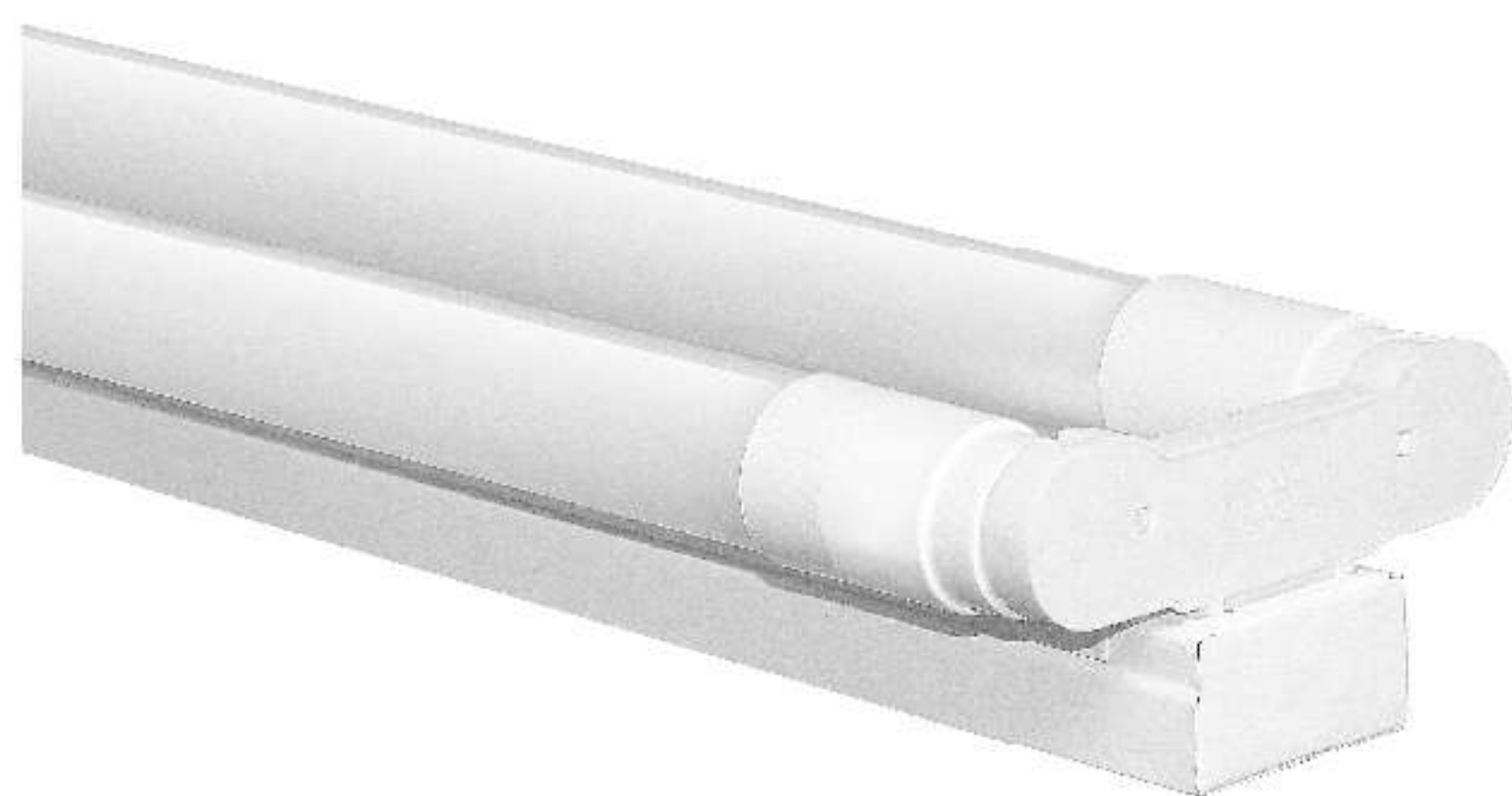
Description	Voltage	Watt	Lumen output	P.F:	CCT optional	CRI	Size	Quantity	Price
SMD4014-LED 4W	110-240V	4W	300LM	0.85	3000-6500K	≥80	290x24.4x36mm	25 PCS/CTN	P160.00
SMD4014-LED 8W	110-240V	8W	650LM	0.85	3000-6500K	≥80	530x24.4x36mm	25 PCS/CTN	P190.00
SMD4014-LED 11W	110-240V	11W	900LM	0.85	3000-6500K	≥80	830x24.4x36mm	25 PCS/CTN	P230.00
SMD4014-LED 16W	110-240V	16W	1300LM	0.85	3000-6500K	≥80	1130x24.4x36mm	25 PCS/CTN	P250.00

## LED T8 TUBE BATTEN

MBL-2021A



Description	Voltage	Watt	Lumen	LED	P.F:	CRI	Connection way	Size	Quantity	Price
LED 9W	110-240V	9W	800LM	SMD2835	0.69	≥80	double-end	61.5x17x19.6mm	20 PCS/CTN	P210.00
LED 18W	110-240V	18W	1600LM	SMD2835	0.92	≥80	double-end	122.5x17x19.6mm	20 PCS/CTN	P280.00



## LED T8 TUBE ALUMINUM BATTEN

**MXL-2110**

Description	VOLTAGE	WATT	LUMEN	LED	P.F.	CRI	Connection way	Size	Quantity	Price
LED2x18W	175-240V	2x18W	3600LM	SMD2835	0.5	≥80	double-end	1230x100x53mm	20 PCS/CTN	P600.00



## LED DUST-PROOF BATTEN

IP65

**GWL1008**

**GWL**

**GWL1010**

Description	VOLTAGE	WATT	LUMEN	LED	P.F.	CRI	Connection way	Size	Quantity	Price
GWL1010-30W	170-240V	30W	2800LM	SMD2835	0.9	≥70	unconnectable	1230x57x57mm	6 PCS/CTN	P880.00
GWL1008-40W	170-240V	40W	3600LM	SMD2835	0.9	≥70	connectable	1280x75x79mm	6 PCS/CTN	P1,230.00

## SUPERMARKET LIGHT

- High heat dissipation stretch aluminum bracket
- High lumens and high light efficiency
- IC driver, no strobe
- High transmittance PC cover, large luminous surface
- High quality 2835 LED chips
- Safe and reliable

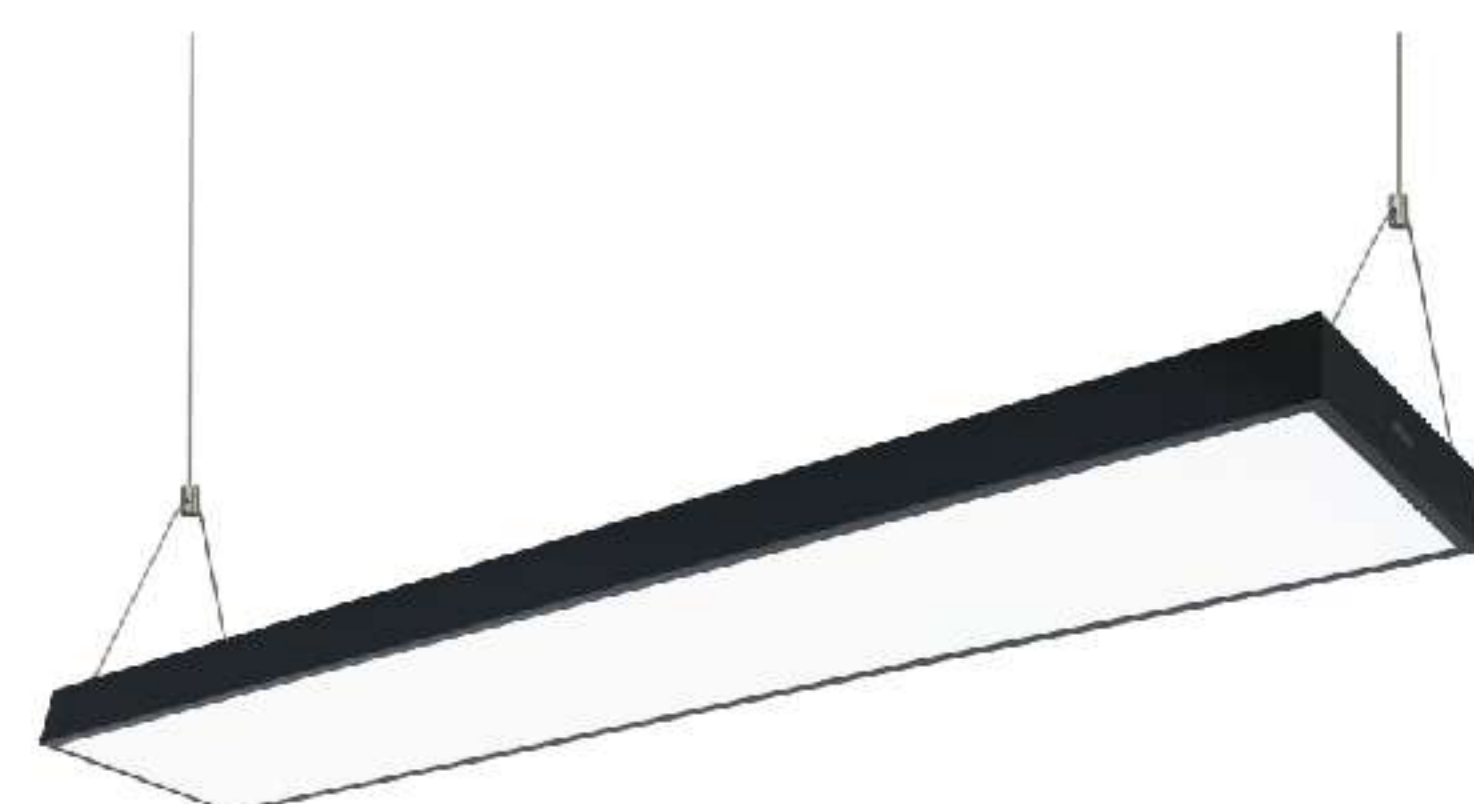


**MXL-2056**

Description	VOLTAGE	WATT	Luminous flux	Beam angle	P.F.	CRI	Dimension	Lifetime	Quantity	Price
MXL2056	170-240V	50W	4000LM	120°	0.9	≥80	600x108x53mm	25000H	10 PCS/CTN	P770.00
MXL2056	170-240V	100W	8000LM	120°	0.9	≥80	1200x108x53mm	25000H	10 PCS/CTN	P1,460.00

## LED RECTANGULAR HANGING LIGHT

- High lumens and high light efficiency
- High transmittance PS cover, large luminous surface
- High quality 2835 LED chips
- Safe and reliable



**MDL-1001**

**MDL-1016**

Description	Voltage	Watt	Luminous flux	Beam angle	P.F.	CRI	Dimension	Lifetime	Quantity	Price
MDL1001-LED18 <small>CONNECTION STYLE</small>	170-240V	18W	1800LM	120°	0.5	≥80	613 x 50 x 45mm	30000H	20 PCS/CTN	P900
MDL1001-LED36 <small>CONNECTION STYLE</small>	170-240V	36W	3600LM	120°	0.9	≥80	1213 x 50 x 45mm	30000H	20 PCS/CTN	P1,400
MDL1016-LED36 <small>NO CONNECTION STYLE</small>	170-240V	36W	3600LM	120°	0.9	≥80	1185 x 100 x 50mm	30000H	12 PCS/CTN	P1,400

## INDUSTRIAL TYPE REFLECTOR

**MX803-A**

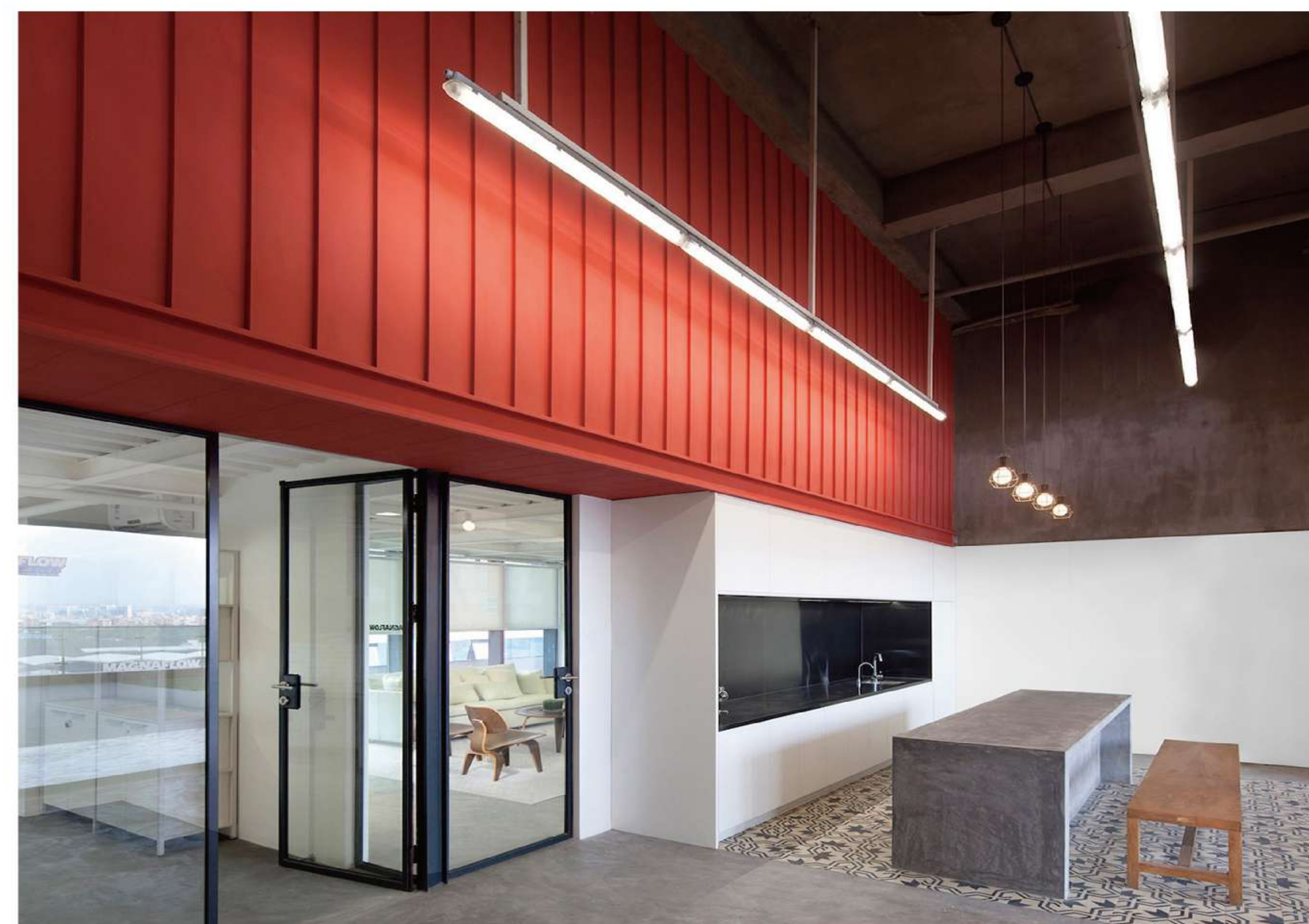
WITHOUT BALLAST  
1 X 40W  
17PCS/CTN  
P350.00

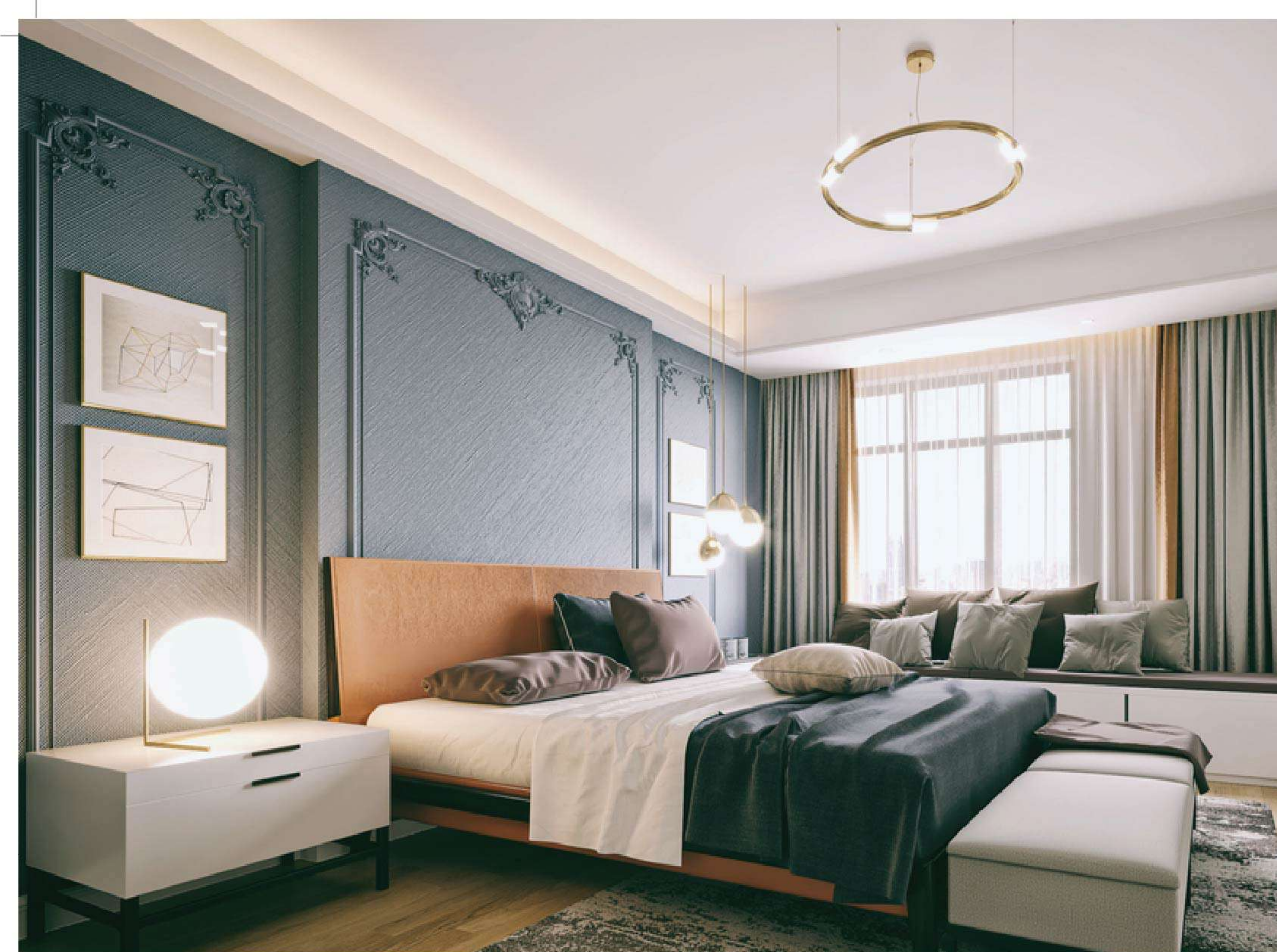


## INDUSTRIAL TYPE REFLECTOR

**MX803-B**

WITHOUT BALLAST  
2 X 40W  
16PCS/CTN  
P500.00





## LED TRI-COLOR

LET THE NEW LIGHT  
ILLUMINATE THE NEW LIFE



## LAMPSHADE

ULTRA-THIN ACRYLIC  
LED CLASSIC CEILING LAMP  
IP20/IP44

- Energy saving and high efficiency.
- Product of green environmental protection.
- Fine workmanship real materials



ML-10G

ML-20G

Description	Voltage	Watt	P.F:	Lumen	CRI	CCT Optional	Size	Quantity	Price
ML 10G/20G LED 12W	170-240V	12W	0.5/0.9	420LM	≥80	3000-6500K	255x65mm	20 PCS/CTN	P280.00
ML 10G/20G LED 18W	170-240V	18W	0.5/0.9	850LM	≥80	3000-6500K	335x65mm	20 PCS/CTN	P380.00
ML 10G/20G LED 24W	170-240V	24W	0.5/0.9	1200LM	≥80	3000-6500K	385x65mm	20 PCS/CTN	P480.00

## LED CLASSIC CEILING LAMP

MXL1012

IP20/IP44

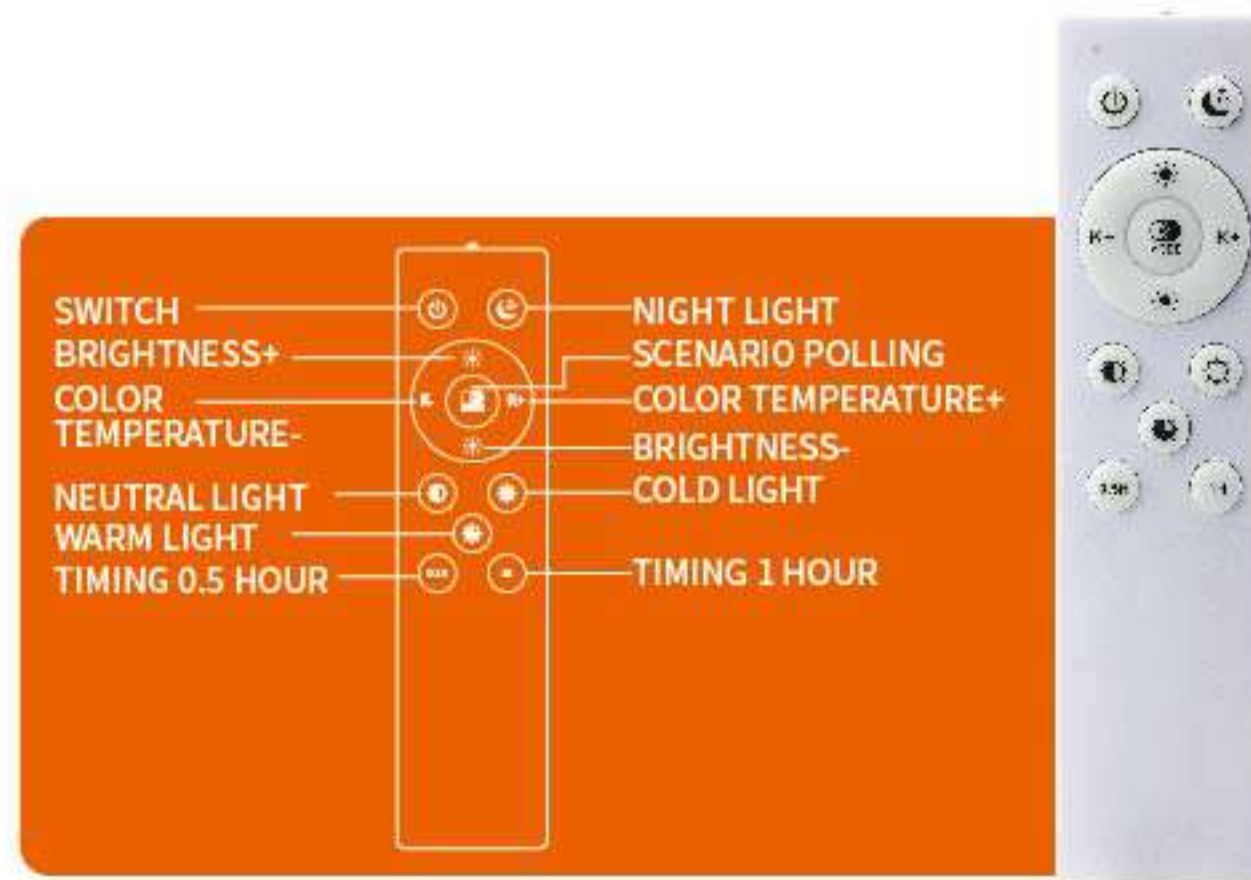


Description	Voltage	Watt	P.F:	Lumen	CRI	CCT Optional	Size	Quantity	Price
LED-12W	170-240V	12W	0.5/0.9	550LM	≥80	3000-6500K	Φ260x90mm	10 PCS/CTN	P420.00
LED-18W	170-240V	18W	0.5/0.9	1200LM	≥80	3000-6500K	Φ340x105mm	10 PCS/CTN	P620.00
LED-24W	170-240V	24W	0.5/0.9	1700LM	≥80	3000-6500K	Φ380x105mm	10 PCS/CTN	P780.00

## CEILING LAMP TRI-COLOR /DIMMABLE



- \* Infrared sensing with remote control
- \* Adjustable light and color temperature



**MXL1115-PS**

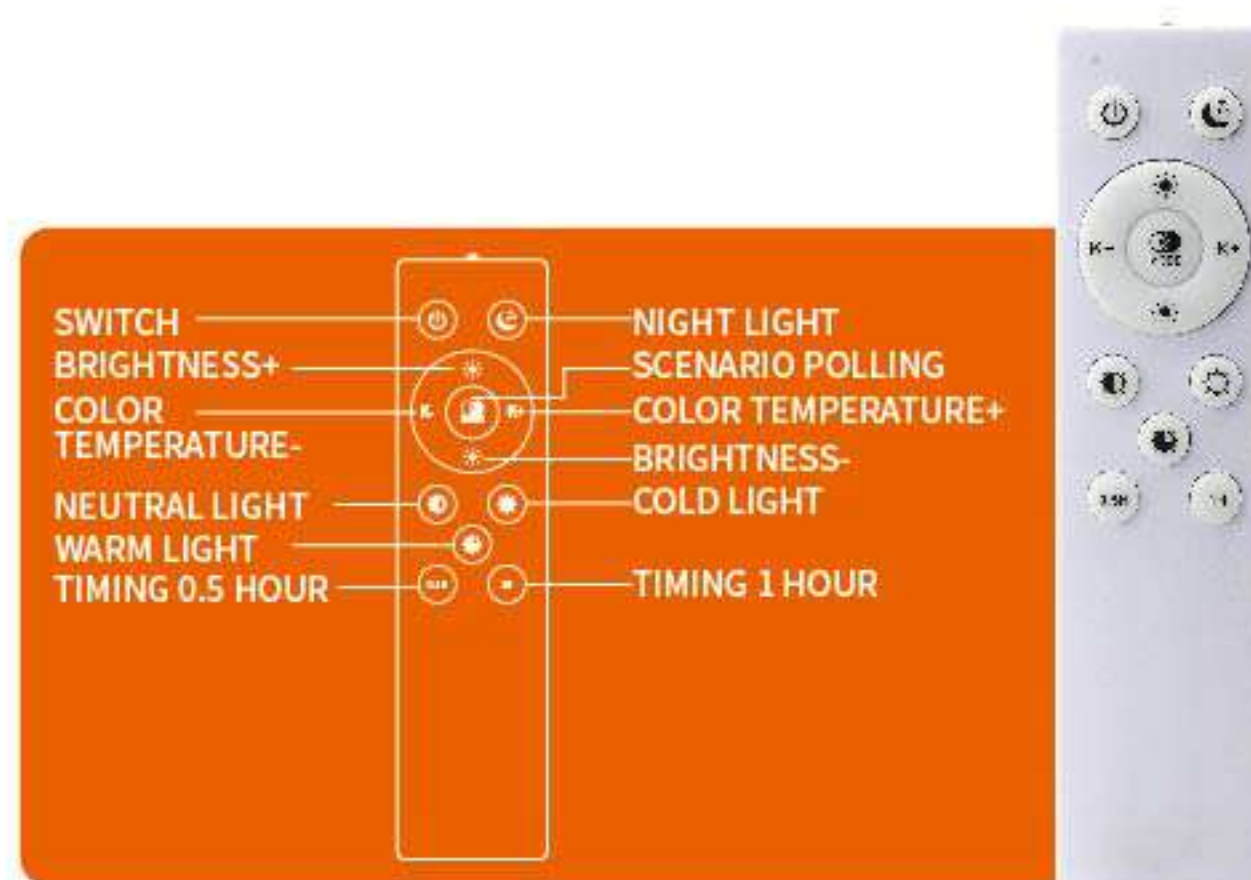


Description	Voltage	Watt	P.F:	Lumen	CRI	Beam Angle	Size	Quantity	Price
MXL1115-PS	170-240V	36W	0.9	3600LM	≥80	120°	Φ350 x 43mm	10 PCS/CTN	P1,250.00
MXL1115-PS	170-240V	50W	0.9	5000LM	≥80	120°	Φ450 x 48mm	8 PCS/CTN	P1,700.00

## CEILING LAMP TRI-COLOR /DIMMABLE



- \* Infrared sensing with remote control
- \* Adjustable light and color temperature



**MXL1083**



Description	Voltage	Watt	P.F:	Lumen	CRI	Beam Angle	Size	Quantity	Price
MXL1083	220-240V	60W	0.9	5400LM	≥80	120°	Φ530 x 80mm	4 PCS/CTN	P3,600.00

## MOLD LIGHT

**MXG 10** 25000hrs



Product of green environmental protection energy saving and high efficiency fine workmanship real materials

Watt	12W	18W	24W
Lumen	≥1080LM±5%	≥1620LM±5%	≥2160LM±5%
Size	Φ180 x H25	Φ218 x H25	Φ253 x H25
Quantity	20 PCS/CTN	20 PCS/CTN	20 PCS/CTN
Price	P250.00	P300.00	P350.00

## TRI-COLOR LED CEILING LAMP



**MXD 1012**



Description	Voltage	Watt	P.F:	Lumen	CRI	Size	Quantity	Price
MXD 1012 LED 12W	170-260V	12W	> 0.5	≥840LM±5%	≥80	Φ277x68mm	10 PCS/CTN	P500.00
MXD 1012 LED 18W	170-260V	18W	> 0.5	≥1260LM±5%	≥80	Φ327x68mm	10 PCS/CTN	P720.00
MXD 1012 LED 24W	170-260V	24W	> 0.5	≥1680LM±5%	≥80	Φ377x68mm	10 PCS/CTN	P860.00

## TRI-COLOR LED CEILING LAMP



**HLPIP54**

FIXED RING: Multiple material colors are available



Description	Voltage	Watt	P.F:	Lumen	CRI	Size	Quantity	Price
HLPIP54 12WR	170-260V	12W	> 0.5	≥840LM±5%	≥80	Φ277x68mm	10PCS/CTN	P550.00
HLPIP54 18WR	170-260V	18W	> 0.5	≥1260LM±5%	≥80	Φ327x68mm	10PCS/CTN	P790.00
HLPIP54 24WR	170-260V	24W	> 0.5	≥1680LM±5%	≥80	Φ377x68mm	10PCS/CTN	P900.00

## TRI-COLOR LED CEILING LAMP



**SQTR**



**FIXED RING:** Multiple material colors are available

Description	Voltage	Watt	P.F:	Lumen	CRI	Size	Quantity	Price
SQTR-18W	175-265V	18W	≥0.5	≥1300LM±5%	≥80	300x300x65mm	10PCS/CTN	P820.00
SQTR-24W	175-265V	24W	≥0.5	≥1800LM±5%	≥80	370x370x70mm	10PCS/CTN	P940.00

## TRI-COLOR

**MXG 10** 25000hrs



Product of green environmental protection energy saving and high efficiency fine workmanship real materials



Watt	12W	18W	24W
Lumen	≥1080LM±5%	≥1620LM±5%	≥2160LM±5%
Size	Φ180xH25 mm	Φ218xH25 mm	Φ253xH25 mm
Quantity	20 PCS/CTN	20 PCS/CTN	20 PCS/CTN
Price	P330.00	P400.00	P460.00

## LED DAMP-PROOF CEILING LAMP

**GWL 1002**

**IP65**



Description	Voltage	Watt	P.F:	Lumen	CRI	CCT Optional	Size	Quantity	Price
GWL1002-LED 8W	170-240V	8W	0.85	550LM	≥80	3000-6500K	Φ180x80mm	10 PCS/CTN	P520.00
GWL1002-LED 12W	170-240V	12W	0.85	800LM	≥80	3000-6500K	Φ250x80mm	10 PCS/CTN	P720.00

## LED WALL LAMP

- One-piece molding housing, simple and refined appearance
- High-quality engineering plastic housing, high strength, no yellowing
- Long lifespan
- Water resistant grade up to IP65 outdoor use available

**ZDL1177-Y**

**IP65**



Description	Voltage	Watt	P.F:	Lumen	CRI	CCT OPTIONAL	Size	Quantity	Price
ZDL1177-Y	170-240V	15W	0.5	1200LM	≥80	3000k/4000k/6500k	Φ180 x 45mm	20 PCS/CTN	P350.00
ZDL1177-Y	170-240V	20W	0.5	1600LM	≥80	3000k/4000k/6500k	Φ220 x 45mm	20 PCS/CTN	P440.00
ZDL1177-Y	170-240V	24W	0.5	2000LM	≥80	3000k/4000k/6500k	Φ280 x 60mm	10 PCS/CTN	P660.00

## LED WALL LAMP

- One-piece molding housing, simple and refined appearance
- High-quality engineering plastic housing, high strength, no yellowing
- Long lifespan
- Water resistant grade up to IP65 outdoor use available

**ZDL1177-F**

**IP65**



Description	Voltage	Watt	P.F:	Lumen	CRI	CCT OPTIONAL	Size	Quantity	Price
ZDL1177-F	170-240V	15W	0.5	1200LM	≥80	3000k/4000k/6500k	100 x 200 x 45mm	20 PCS/CTN	P350.00
ZDL1177-F	170-240V	20W	0.5	1600LM	≥80	3000k/4000k/6500k	132 x 265 x 45mm	20 PCS/CTN	P440.00

## LED PANEL-SIDE LIGHTING



MQL1030



MQL1035

Description	Voltage	Watt	P.F:	Lumen	CRI	CCT Optional	Size	Quantity	Price
MQL1030-LED 12W	170-240V	12W	0.5	1100LM	≥80	3000-6500K	300x300mm	5 PCS/CTN	P700.00
MQL1030-LED 24W	170-240V	24W	0.5	2200LM	≥80	3000-6500K	300x600mm	5 PCS/CTN	P1,000.00
MQL1030-LED 45W	170-240V	45W	0.9	4100LM	≥80	3000-6500K	600x600mm	5 PCS/CTN	P1,600.00
MQL1035-LED 45W	170-240V	45W	0.9	4100LM	≥80	3000-6500K	600x600mm	6 PCS/CTN	P1,000.00
MQL1030-LED 45W	170-240V	45W	0.9	4100LM	≥80	3000-6500K	300x1200mm	5 PCS/CTN	P1,600.00 (THIN)
MQL1035-LED 45W	170-240V	45W	0.9	4100LM	≥80	3000-6500K	300x1200mm	6 PCS/CTN	P1,000.00 (THICK)

## MOUNTED DOWNLIGHTS

### LED RECESSED

MORE ENVIRONMENTALLY, ENERGY-SAVING



Y-A-B

Description	Voltage	Watt	P.F:	Lumen	CRI	CCT OPTIONAL	Size	Quantity	Price
Y-A-B 3W	170-240V	3W	0.5/0.9	160LM	≥80	3000-6500K	Φ90x13(2)mm	20 PCS/CTN	P178.00
Y-A-B 6W	170-240V	6W	0.5/0.9	360LM	≥80	3000-6500K	Φ120x13(3)mm	20 PCS/CTN	P218.00
Y-A-B 9W	170-240V	9W	0.5/0.9	630LM	≥80	3000-6500K	Φ145x13(4)mm	20 PCS/CTN	P258.00
Y-A-B 12W	170-240V	12W	0.5/0.9	840LM	≥80	3000-6500K	Φ170x13(6)mm	20 PCS/CTN	P318.00
Y-A-B 18W	170-240V	18W	0.5/0.9	1260LM	≥80	3000-6500K	Φ225x13(8)mm	20 PCS/CTN	P368.00

## LED SPOT LIGHT

MQTL-1083



Description	Voltage	Watt	P.F:	Lumen	CRI	CCT Optional	Size	Open hole	Quantity	Price
MQTL-1083-A-2	220-240V	5W	> 0.5	400LM	≥80	3000-6500K	Φ90x33.5mm	Φ70mm	40 PCS/CTN	P115.00
MQTL-1083-A-3	220-240V	7W	> 0.5	560LM	≥80	3000-6500K	Φ110x33.5mm	Φ90mm	40 PCS/CTN	P145.00
MQTL-1083-A-4	220-240V	9W	> 0.5	720LM	≥80	3000-6500K	Φ135x33.5mm	Φ110mm	40 PCS/CTN	P175.00

## MOUNTED DOWNLIGHTS

### LED SURFACE

MORE ENVIRONMENTALLY, ENERGY-SAVING



Y-M-B

Description	Voltage	Watt	P.F:	Lumen	CRI	CCT OPTIONAL	Size	Quantity	PRICE
Y-M-B 6W	170-240V	6W	0.5/0.9	360LM	≥80	3000-6500K	Φ120x34(3)mm	20 PCS/CTN	P260.00
Y-M-B 9W	170-240V	9W	0.5/0.9	630LM	≥80	3000-6500K	Φ145x34(4)mm	20 PCS/CTN	P312.00
Y-M-B 12W	170-240V	12W	0.5/0.9	840LM	≥80	3000-6500K	Φ170x34(6)mm	20 PCS/CTN	P392.00
Y-M-B 18W	170-240V	18W	0.5/0.9	1260LM	≥80	3000-6500K	Φ225x34(8)mm	20 PCS/CTN	P478.00



## MOUNTED DOWNLIGHTS

LED RECESSED

MORE ENVIRONMENTALLY, ENERGY-SAVING



F-A-B

Description	Voltage	Watt	P.F:	Lumen	CRI	CCT OPTIONAL	Size	Quantity	Price
F-A-B 3W	170-240V	3W	0.5/0.9	160LM	≥80	3000-6500K	90x90x13(2)mm	20 PCS/CTN	P178.00
F-A-B 6W	170-240V	6W	0.5/0.9	360LM	≥80	3000-6500K	120x120x13(3)mm	20 PCS/CTN	P218.00
F-A-B 9W	170-240V	9W	0.5/0.9	630LM	≥80	3000-6500K	145x145x13(4)mm	20 PCS/CTN	P258.00
F-A-B 12W	170-240V	12W	0.5/0.9	840LM	≥80	3000-6500K	170x170x13(6)mm	20 PCS/CTN	P318.00
F-A-B 18W	170-240V	18W	0.5/0.9	1260LM	≥80	3000-6500K	225x225x13(8)mm	20 PCS/CTN	P368.00

## MOUNTED DOWNLIGHTS



MQTL1127-Y-2 IN 1

Description	Voltage	Watt	P.F:	Hole	Dimension	Lumen	CRI	Quantity	Price	Case
MQTL1127-Y-5W-3 inch	170-240V	5W	0.5	Ø75mm	Ø95x30mm	370LM	≥80	20 PCS/CTN	P128.00	—
MQTL1127-Y-9W-4 inch	170-240V	9W	0.5	Ø105mm	Ø125x30mm	720LM	≥80	20 PCS/CTN	P168.00	—
MQTL1127-Y-12W-5 inch	170-240V	12W	0.5	Ø125mm	Ø145x30mm	960LM	≥80	20 PCS/CTN	P228.00	—
MQTL1127-Y-15W-6 inch	170-240V	15W	0.5	Ø150mm	Ø175x30mm	1200LM	≥80	20 PCS/CTN	P278.00	P278.00
MQTL1127-Y-24W-8 inch	170-240V	24W	0.5	Ø200mm	Ø225x30mm	1920LM	≥80	20 PCS/CTN	P418.00	P418.00

## MOUNTED DOWNLIGHTS

LED SURFACE

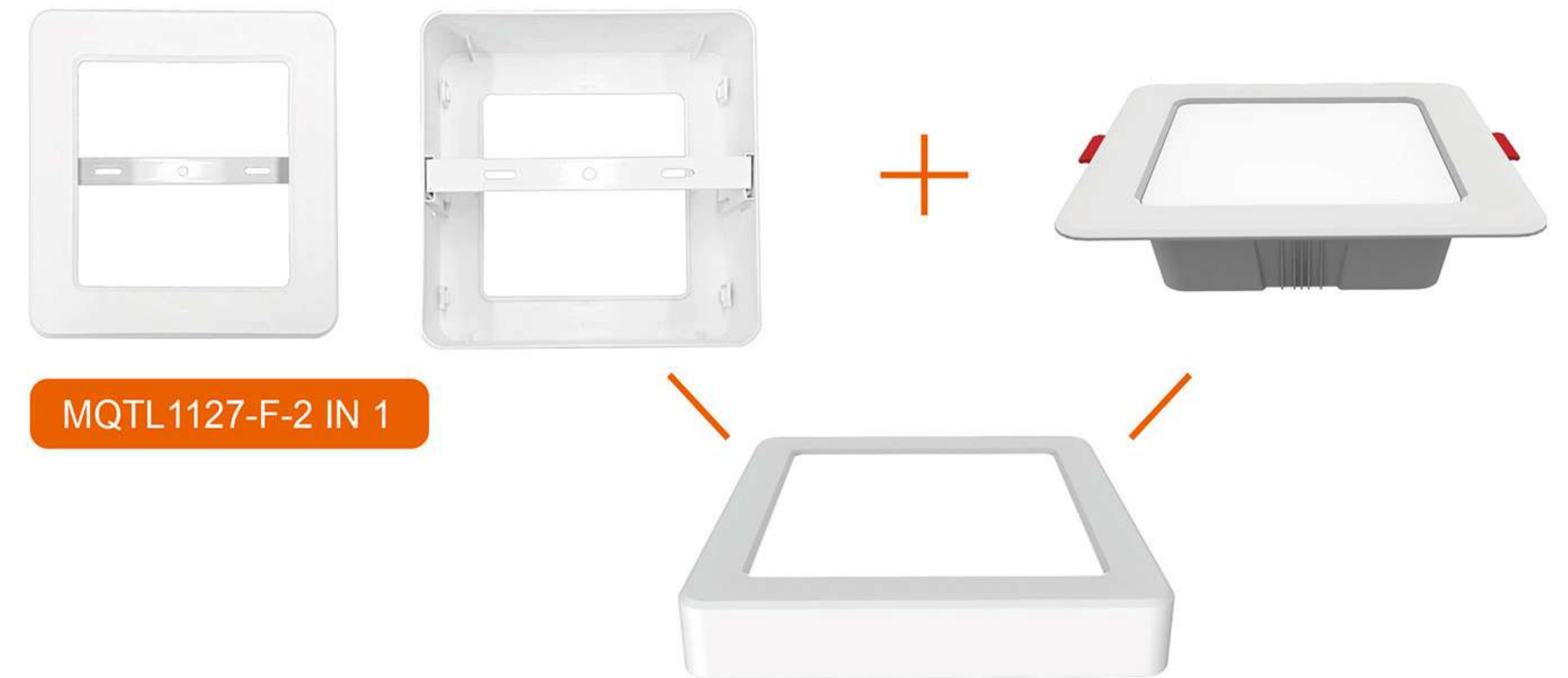
MORE ENVIRONMENTALLY, ENERGY-SAVING



F-M-B

Description	Voltage	Watt	P.F:	Lumen	CRI	CCT OPTIONAL	Size	Quantity	PRICE
F-M-B 6W	170-240V	6W	0.5/0.9	360LM	≥80	3000-6500K	120x120x34(3)mm	20 PCS/CTN	P260.00
F-M-B 9W	170-240V	9W	0.5/0.9	630LM	≥80	3000-6500K	145x145x34(4)mm	20 PCS/CTN	P312.00
F-M-B 12W	170-240V	12W	0.5/0.9	840LM	≥80	3000-6500K	170x170x34(6)mm	20 PCS/CTN	P392.00
F-M-B 18W	170-240V	18W	0.5/0.9	1260LM	≥80	3000-6500K	225x225x34(8)mm	20 PCS/CTN	P478.00

## MOUNTED DOWNLIGHTS



MQTL1127-F-2 IN 1

Description	Voltage	Watt	P.F:	Hole	Dimension	Lumen	CRI	Quantity	Price	Case
MQTL1127-F-9W-4 inch	170-240V	9W	0.5	105x105mm	125x1230x30mm	720LM	≥80	20 PCS/CTN	P178.00	—
MQTL1127-F-12W-5 inch	170-240V	12W	0.5	125x125mm	145x145x30mm	960LM	≥80	20 PCS/CTN	P238.00	—
MQTL1127-F-15W-6 inch	170-240V	15W	0.5	150x150mm	175x175x30mm	1200LM	≥80	20 PCS/CTN	P318.00	P128.00
MQTL1127-F-24W-8 inch	170-240V	24W	0.5	200x200mm	225x225x30mm	1920LM	≥80	20 PCS/CTN	P458.00	P168.00

## LED SLIM PANEL TRI-COLOR



**MQTL-2020-RND**

Description	Voltage	Watt	P.F:	Lumen	CRI	Size	Quantity	Price
3W-ROUND	100-265V	3W	>0.5	130LM+/-10%	≥80	holeØ75mm	20 PCS/CTN	P170.00
6W-ROUND	100-265V	6W	>0.5	300LM+/-10%	≥80	holeØ110mm	20 PCS/CTN	P220.00
9W-ROUND	100-265V	9W	>0.5	300LM+/-10%	≥80	holeØ135mm	20 PCS/CTN	P310.00
12W-ROUND	100-265V	12W	>0.5	720LM+/-10%	≥80	holeØ155mm	20 PCS/CTN	P355.00
18W-ROUND	100-265V	18W	>0.5	720LM+/-10%	≥80	Ø205mm	20 PCS/CTN	P465.00
24W-ROUND	100-265V	24W	>0.5	1680LM+/-10%	≥80	Ø280mm	20 PCS/CTN	P735.00

## RGB TYPE SLIM PANEL



**MQTL-2030-RGB-RND**

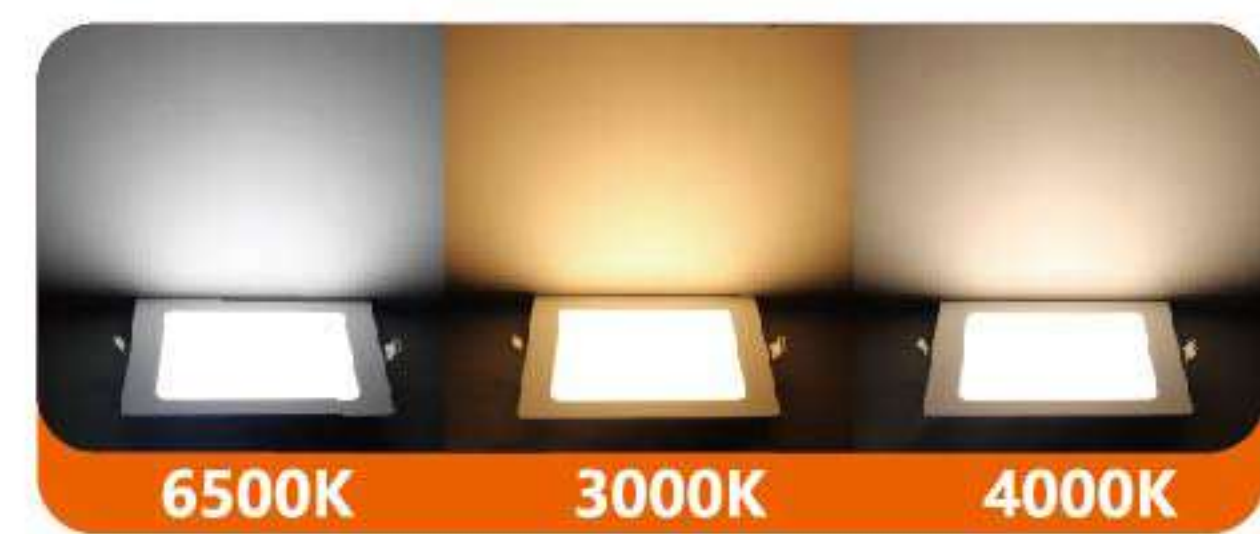
### OPTIONAL PARAMETERS

- ISOLATED DRIVER 100-265V
- PS LGP
- ALUMINUM FRAME



Description	Voltage	Watt	P.F:	Lumen	CRI	CCT Optional	Size	Quantity	Price
3+3W-ROUND	100-265V	3+3W	>0.5	100LM	≥80	RGB	holeØ75mm	20 PCS/CTN	P280.00
6+3W-ROUND	100-265V	6+3W	>0.5	240LM	≥80	RGB	holeØ105mm	20 PCS/CTN	P345.00
12+4W-ROUND	100-265V	12+4W	>0.5	600LM	≥80	RGB	holeØ155mm	20 PCS/CTN	P445.00
18+6W-ROUND	100-265V	18+6W	>0.5	900LM	≥80	RGB	Ø210mm	20 PCS/CTN	P545.00

## LED SLIM PANEL TRI-COLOR



**MQTL-2020-SQR**

Description	Voltage	Watt	P.F:	Lumen	CRI	Size	Quantity	Price
3W-SQUARE	100-265V	3W	>0.5	130LM+/-10%	≥80	hole75x75mm	20 PCS/CTN	P185.00
6W-SQUARE	100-265V	6W	>0.5	300LM+/-10%	≥80	hole110x110mm	20 PCS/CTN	P235.00
9W-SQUARE	100-265V	9W	>0.5	300LM+/-10%	≥80	hole135x135mm	20 PCS/CTN	P330.00
12W-SQUARE	100-265V	12W	>0.5	720LM+/-10%	≥80	hole155x155mm	20 PCS/CTN	P375.00
18W-SQUARE	100-265V	18W	>0.5	1080LM+/-10%	≥80	205x205mm	20 PCS/CTN	P500.00
24W-SQUARE	100-265V	24W	>0.5	1080LM+/-10%	≥80	280x280mm	20 PCS/CTN	P770.00

## RGB TYPE SLIM PANEL



**MQTL-2030-RGB-SQR**

### OPTIONAL PARAMETERS

- ISOLATED DRIVER 100-265V
- PS LGP
- ALUMINUM FRAME



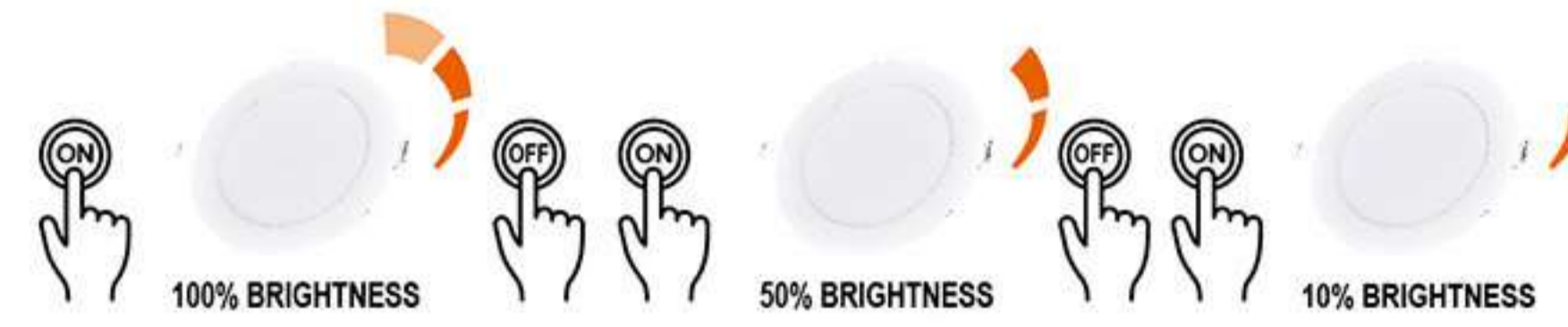
Description	Voltage	Watt	P.F:	Lumen	CRI	CCT Optional	Size	Quantity	Price
3+3W-SQUARE	100-265V	3+3W	>0.5	100LM	≥80	RGB	hole75x75mm	20 PCS/CTN	P305.00
6+3W-SQUARE	100-265V	6+3W	>0.5	240LM	≥80	RGB	105x105mm	20 PCS/CTN	P375.00
12+4W-SQUARE	100-265V	12+4W	>0.5	600LM	≥80	RGB	155x155mm	20 PCS/CTN	P485.00
18+6W-SQUARE	100-265V	18+6W	>0.5	900LM	≥80	RGB	210x210mm	20 PCS/CTN	P615.00

## MOUNTED DOWNLIGHT

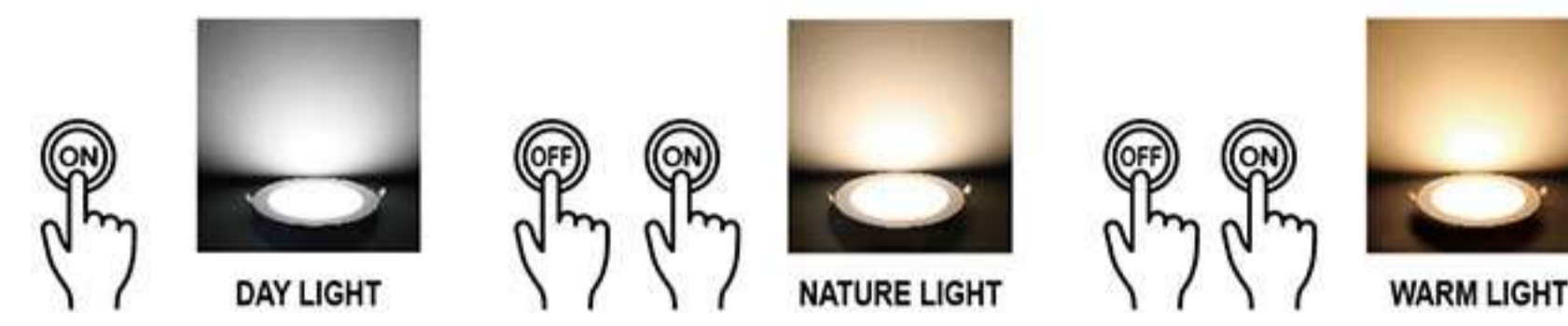
- Recessed installation
- Driver built-in, integrated design
- High luminous flux, high luminous efficiency
- Back light
- High quality 2835 LED chips
- Safe and reliable
- Dimmable
- Tri color



### MQTL 1127-Y SDW—渐变 DIMMABLE



### MQTL 1127-Y SDC—三色 TRI-COLOR



Description	Voltage	Watt	P.F:	HOLD	Dimension	Lumen	CRI	Quantity	Price
SDW / SDC	170-240V	9W	0.5	Ø105mm	Ø125x30mm	720LM	≥80	20 PCS/CTN	P238.00
SDW / SDC	170-240V	15W	0.5	Ø150mm	Ø175x30mm	1200LM	≥80	20 PCS/CTN	P335.00
SDW / SDC	170-240V	24W	0.5	Ø200mm	Ø225x30mm	1920LM	≥80	20 PCS/CTN	P550.00

## MOUNTED DOWNLIGHTS

- Surface mount installation
- Integrated IC drive
- Easy way of installing
- High quality LED chips, never yellowing
- Safe and reliable

### MQTL1033-Y IP20



Description	Voltage	Watt	P.F:	Beam angle	Dimension	Lumen	CRI	Quantity	Price
MQTL1033-Y	170-240V	18W	0.5	120°	Ø180x25mm	1500LM	≥80	40 PCS/CTN	P350.00
MQTL1033-Y	170-240V	24W	0.5	120°	Ø225x25mm	2400LM	≥80	20 PCS/CTN	P520.00
MQTL1033-Y	170-240V	30W	0.5	120°	Ø250x25mm	3000LM	≥80	20 PCS/CTN	P700.00

## MOUNTED DOWNLIGHT

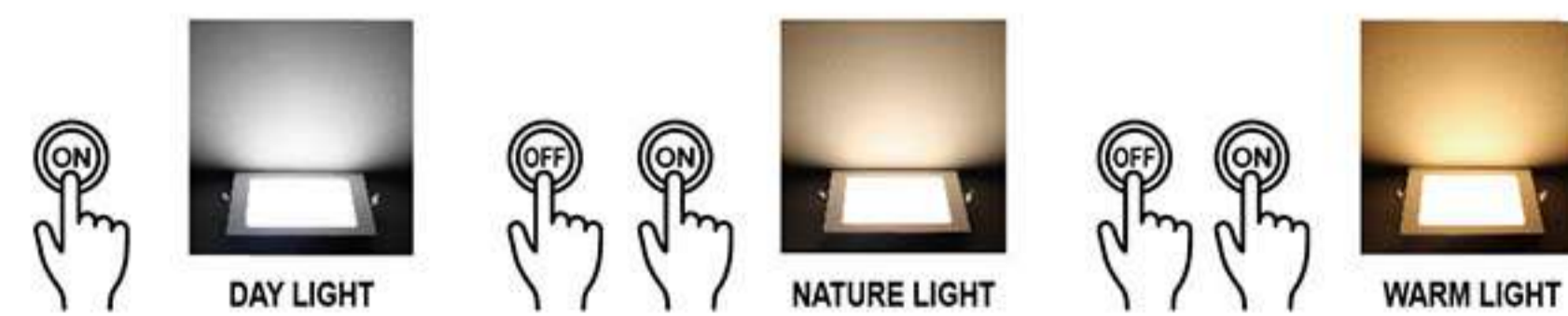
- Recessed installation
- Driver built-in, integrated design
- High luminous flux, high luminous efficiency
- Back light
- High quality 2835 LED chips
- Safe and reliable
- Dimmable
- Tri color



### MQTL 1127-F SDW—渐变 DIMMABLE



### MQTL 1127-F SDC—三色 TRI-COLOR



Description	Voltage	Watt	P.F:	HOLD	Dimension	Lumen	CRI	Quantity	Price
SDW / SDC	170-240V	9W	0.5	105x105mm	125x125x30mm	720LM	≥80	20 PCS/CTN	P238.00
SDW / SDC	170-240V	15W	0.5	150x150mm	175x175x30mm	1200LM	≥80	20 PCS/CTN	P335.00
SDW / SDC	170-240V	24W	0.5	200x200mm	225x225x30mm	1920LM	≥80	20 PCS/CTN	P550.00

## MOUNTED DOWNLIGHTS

- Surface mount installation
- Integrated IC drive
- Easy way of installing
- High quality LED chips, never yellowing
- PIR sensor version available
- Safe and reliable

### MQTL1033-Y-PS W/PIR SENSOR IP20



Description	Voltage	Watt	P.F:	Beam angle	Dimension	Lumen	CRI	Quantity	Price
MQTL1033-Y-PS	170-240	18W	0.5	120°	Ø225x25mm	2400LM	≥80	20 PCS/CTN	P720.00
MQTL1033-Y-PS	170-240	24W	0.5	120°	Ø250x25mm	3000LM	≥80	20 PCS/CTN	P865.00

## LED SPOT LIGHT



MQTL 2050

Description	Voltage	Watt	P.F:	Lumen	CRI	CCT Optional	Size	Quantity	Price
MQTL2050	IC 170-240V	3W	0.5	240LM	≥80	3000-6500K	Φ85x38mm	25 PCS/CTN	P228.00
MQTL2050	IC 170-240V	5W	0.5	400LM	≥80	3000-6500K	Φ85x38mm	25 PCS/CTN	P268.00
MQTL2050	IC 170-240V	7W	0.5	560LM	≥80	3000-6500K	Φ85x38mm	25 PCS/CTN	P338.00

## LED SPOT LIGHT



MQTL1080

Description	Voltage	Watt	P.F:	Lumen	CRI	CCT Optional	Size	Quantity	Price
MQTL-1080-7W	170-240V	7W	0.5/0.9	630LM	≥80	3000/6500K	Φ95x47mm	40 PCS/CTN	P300.00
MQTL-1080-10W	170-240V	10W	0.5/0.9	900LM	≥80	3000/6500K	Φ115x48mm	40 PCS/CTN	P430.00
MQTL-1080-20W	170-240V	20W	0.5/0.9	1800LM	≥80	3000/6500K	Φ160x60mm	40 PCS/CTN	P720.00
MQTL-1080-30W	170-240V	30W	0.5/0.9	2700LM	≥80	3000/6500K	Φ230x72mm	12 PCS/CTN	P1,100.00

## LED SPOT LIGHT



MQTL 2050-CL

Description	Voltage	Watt	P.F:	Lumen	CRI	CCT Optional	Size	Quantity	Price
MQTL2050-CL	IC 170-240V	3W	0.5	240LM	≥80	3000-6500K	Φ85x26mm	25 PCS/CTN	P198.00
MQTL2050-CL	IC 170-240V	5W	0.5	400LM	≥80	3000-6500K	Φ85x26mm	25 PCS/CTN	P228.00
MQTL2050-CL	IC 170-240V	7W	0.5	560LM	≥80	3000-6500K	Φ85x26mm	25 PCS/CTN	P258.00



## BEAN GALL LAMP

- Drive built-in, integrated design
- High luminous flux, high luminous efficiency
- Back light
- High quality 2835 LED chips
- Comply with LVD, safe and reliable

**MQTL1195E**



Description	Watt	Voltage	P.F.	Lumen	Luminous efficacy	CRI	Size	Cut-out	Quantity	Price
MQTL1195E	6W	170-240V	0.5	420LM	70 LM/W	80	Φ88x47mm	Φ75-80mm	20 PCS/CTN	P200.00
MQTL1195E	10W	170-240V	0.5	700LM	70 LM/W	80	Φ110x51mm	Φ90-100mm	20 PCS/CTN	P305.00
MQTL1195E	15W	170-240V	0.5	1050LM	70 LM/W	80	Φ136x55mm	Φ120-125mm	20 PCS/CTN	P430.00

## BEAN GALL LAMP

- Drive built-in, integrated design
- High luminous flux, high luminous efficiency
- Back light
- High quality 2835 LED chips
- Comply with LVD, safe and reliable

**MQTL1195E-CL**



Description	Watt	Voltage	P.F.	Lumen	Luminous efficacy	CRI	Size	Cut-out	Quantity	Price
MQTL1195E-CL	5W	170-240V	0.5	350LM	70 LM/W	80	Φ88x47mm	Φ75-80mm	20 PCS/CTN	P200.00
MQTL1195E-CL	8W	170-240V	0.5	560LM	70 LM/W	80	Φ110x51mm	Φ90-100mm	20 PCS/CTN	P305.00
MQTL1195E-CL	12W	170-240V	0.5	840LM	70 LM/W	80	Φ136x55mm	Φ120-125mm	20 PCS/CTN	P430.00

## LED BULB PIN TYPE

**YTMR16D4**

**MODEL: MR16**



Description	Watt	Voltage	P.F.	Lumen	Cap	Size	Quantity	Price
YTMR16D4	3W	220-240V~	0.5	270LM	GU5.3	Φ50x49mm	50 PCS/CTN	P100.00
YTMR16D4	5W	220-240V~	0.5	450LM	GU5.3	Φ50x49mm	50 PCS/CTN	P120.00

## LED BULB PIN TYPE

**YTGU10D4**

**MODEL: GU10**



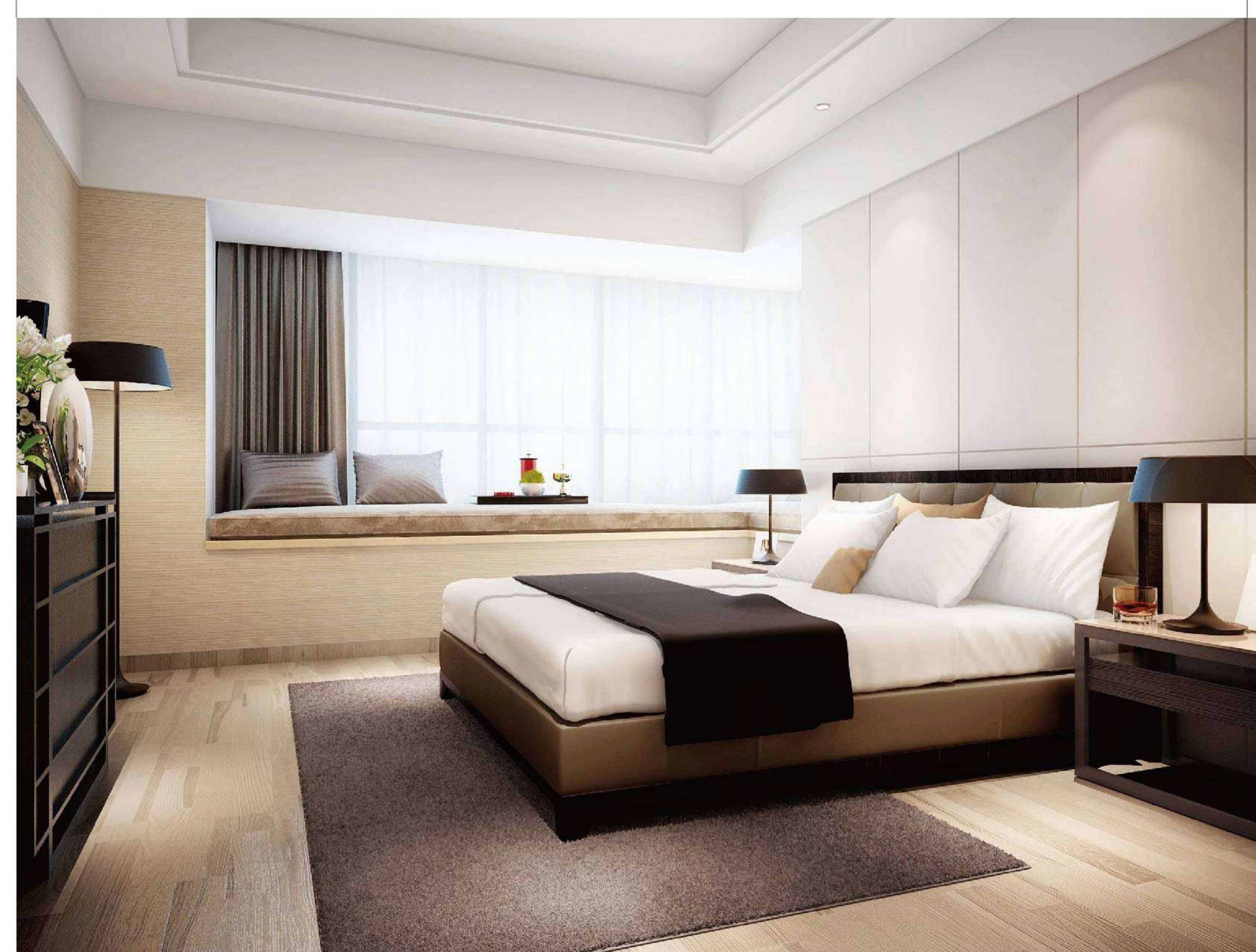
Description	Watt	Voltage	P.F.	Lumen	Cap	Size	Quantity	Price
YTGU10D4	5W	220-240V~	0.5	450LM	GU10	Φ50x54mm	50 PCS/CTN	P110.00
YTGU10D4	7W	220-240V~	0.5	630LM	GU10	Φ50x54mm	50 PCS/CTN	P130.00

# DEEP MOUNTED DOWN LAMP

**MXTL2001E-Y**



Description	Voltage	Watt	P.F.	lumen us flux	CRI	Beam angle	Dimension	Quantity	Price
MXTL2001E-Y	170-240V	5W	0.5	350LM	≥80	120°	Φ105x75mm	50 PCS/CTN	P265.00
MXTL2001E-Y	170-240V	10W	0.5	700LM	≥80	120°	Φ140x75mm	40 PCS/CTN	P350.00
MXTL2001E-Y	170-240V	15W	0.5	1050LM	≥80	120°	Φ180x70mm	20 PCS/CTN	P520.00



# DOWNLIGHT

- Stylish and generous
- Installation is simple and convenient
- Long life and energy saving



Description	size	Watt	Quantity	Price
HJ2510-1	2.5"	25W	60 PCS/CTN	P105.00
HJ3510-1	3.5"	25W	50 PCS/CTN	P138.50
HJ4010-1	4"	40W	50 PCS/CTN	P173.50
HJ5010-1	5"	40W	24 PCS/CTN	P212.50
HJ2513-1	2.5"	25W	60 PCS/CTN	P131.50
HJ3513-1	3.5"	25W	50 PCS/CTN	P168.00
HJ4313-1	4"	40W	50 PCS/CTN	P250.50
HJ5313-1	5"	40W	24 PCS/CTN	P292.50

**FIRST CHOICE FOR PROFESSIONAL DECORATION**

## MINIATURE BREAKER MCB DZ-SERIES



DZG47-63-1P

Type	Applicable motor capacity KW	Quantity	Price
DZG47-63-1P	16A 6KA	12 PCS/BOX 192 PCS/CTN	P110.00
DZG47-63-1P	20A 6KA	12 PCS/BOX 192 PCS/CTN	P110.00
DZG47-63-1P	32A 6KA	12 PCS/BOX 192 PCS/CTN	P110.00
DZG47-63-1P	40A 6KA	12 PCS/BOX 192 PCS/CTN	P120.00
DZG47-63-1P	63A 6KA	12 PCS/BOX 192 PCS/CTN	P120.00



DZ47-63-1P+N

Type	Applicable motor capacity KW	Quantity	Price
DZ47-63-1P+N	10A 6KA	12 PCS/BOX 192 PCS/CTN	P220.00
DZ47-63-1P+N	16A 6KA	12 PCS/BOX 192 PCS/CTN	P220.00
DZ47-63-1P+N	20A 6KA	12 PCS/BOX 192 PCS/CTN	P220.00
DZ47-63-1P+N	32A 6KA	12 PCS/BOX 192 PCS/CTN	P220.00
DZ47-63-1P+N	40A 6KA	12 PCS/BOX 192 PCS/CTN	P280.00

## MINIATURE BREAKER MCB DZ-SERIES



DZG47-63-3P

Type	Applicable motor capacity KW	Quantity	Price
DZG47-63-3P	16A 6KA	4 PCS/BOX 64 PCS/CTN	P280.00
DZG47-63-3P	20A 6KA	4 PCS/BOX 64 PCS/CTN	P280.00
DZG47-63-3P	32A 6KA	4 PCS/BOX 64 PCS/CTN	P300.00
DZG47-63-3P	40A 6KA	4 PCS/BOX 64 PCS/CTN	P300.00
DZG47-63-3P	63A 6KA	4 PCS/BOX 64 PCS/CTN	P300.00
DZG47-125-3P	80A 6KA	2 PCS/BOX 32 PCS/CTN	P980.00
DZG47-125-3P	100A 6KA	2 PCS/BOX 32 PCS/CTN	P1,000.00
DZG47-125-3P	125A 6KA	2 PCS/BOX 32 PCS/CTN	P1,150.00

## RESIDUAL CURRENT CIRCUIT BREAKER-RCCB DZ-SERIES



RHM-63-2P

Type	Applicable motor capacity KW	Quantity	Price
RHM-63-2P	16A 6KA	6 PCS/BOX 60 PCS/CTN	P830.00
RHM-63-2P	20A 6KA	6 PCS/BOX 60 PCS/CTN	P830.00
RHM-63-2P	32A 6KA	6 PCS/BOX 60 PCS/CTN	P830.00
RHM-63-2P	40A 6KA	6 PCS/BOX 60 PCS/CTN	P830.00
RHM-63-2P	63A 6KA	6 PCS/BOX 60 PCS/CTN	P830.00



DZG47-63-2P

Type	Applicable motor capacity KW	Quantity	Price
DZG47-63-2P	16A 6KA	6 PCS/BOX 96 PCS/CTN	P170.00
DZG47-63-2P	20A 6KA	6 PCS/BOX 96 PCS/CTN	P170.00
DZG47-63-2P	32A 6KA	6 PCS/BOX 96 PCS/CTN	P170.00
DZG47-63-2P	40A 6KA	6 PCS/BOX 96 PCS/CTN	P190.00
DZG47-63-2P	63A 6KA	6 PCS/BOX 96 PCS/CTN	P190.00



DZG47-125-2P

Type	Applicable motor capacity KW	Quantity	Price
DZG47-125-2P	80A 6KA	4 PCS/BOX 64 PCS/CTN	P580.00
DZG47-125-2P	100A 6KA	4 PCS/BOX 64 PCS/CTN	P580.00
DZG47-125-2P	125A 6KA	4 PCS/BOX 64 PCS/CTN	P630.00

## MINI SAFETY BREAKER WITH COVER AND OUTLET



DZG47-63-2P C/O

Type	Applicable motor capacity KW	Quantity	Price
DZG47-63-2P C/O	16A 6KA	60 PCS/CTN	P510.00
DZG47-63-2P C/O	20A 6KA	60 PCS/CTN	P510.00
DZG47-63-2P C/O	32A 6KA	60 PCS/CTN	P510.00

## PHOTO CONTROL SWITCH



AC 220V-6A  
70PCS/CTN  
P255.00

## MOULDED CASE CIRCUIT BREAKER-MCCB **EMR-250**

Type	Applicable motor capacity KW	Quantity	Price
EMR-63	MCCB 63 FRAME 3P 63A 20kA	1PC/BOX ; 20PCS/CTN	P1,850.00
EMR-125	MCCB 125 FRAME 3P 125A 25kA	1PC/BOX ; 16PCS/CTN	P2,280.00
EMR-250	MCCB 250 FRAME 3P 250A 35kA	1PC/BOX ; 8PCS/CTN	P3,280.00
EMR-400	MCCB400N FRAME 3P 315A 35kA	1PC/BOX ; 4PCS/CTN	P9,850.00
EMR-400	MCCB400N FRAME 3P 350A 35kA	1PC/BOX ; 4PCS/CTN	P9,850.00
EMR-400	MCCB400N FRAME 3P 400A 35kA	1PC/BOX ; 4PCS/CTN	P9,850.00
EMR-630	MCCB630N FRAME 3P 500A 35kA	1PC/BOX ; 2PCS/CTN	P16,000.00
EMR-630	MCCB630N FRAME 3P 630A 35kA	1PC/BOX ; 2PCS/CTN	P16,000.00
EMR-800	MCCB800N FRAME 3P 800A 35kA	1PC/BOX ; 2PCS/CTN	P28,800.00



## DISTRIBUTION BOX-SSD

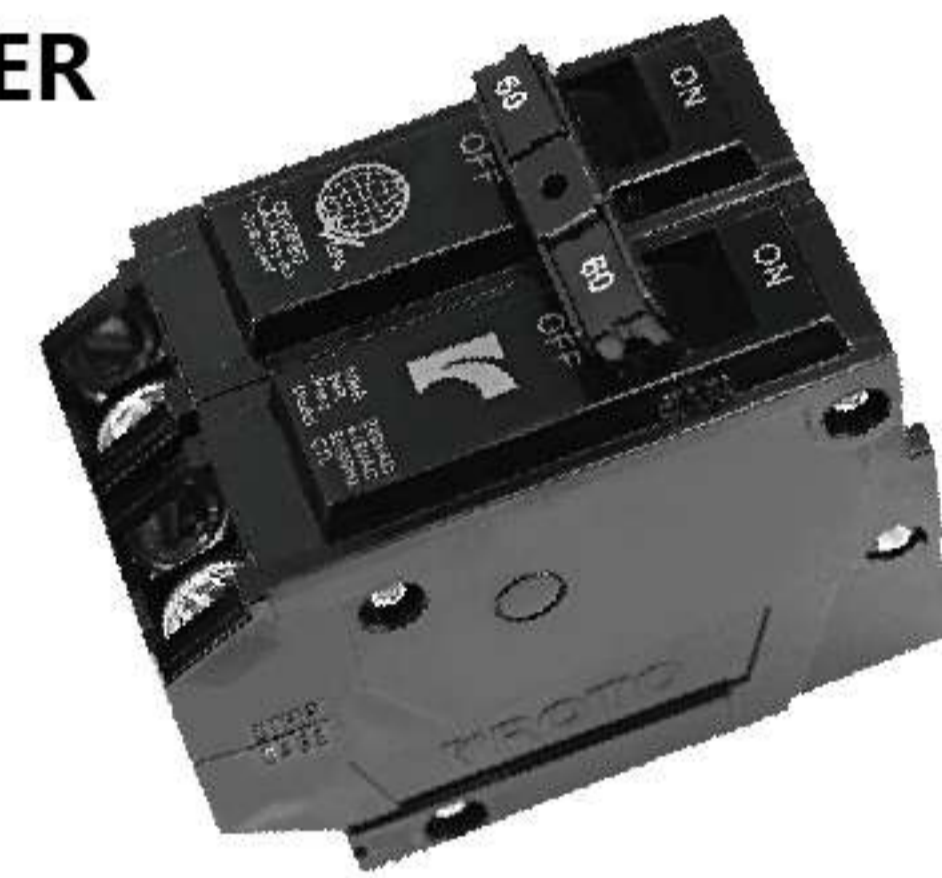
Model	Type	Quantity	Price
SSD 01	1 HOLES (2 modules)	80 PCS/CTN	P105.00
SSD 01a	1 HOLES (3 modules)	50 PCS/CTN	P168.00
SSD 02	2 HOLES (4 modules)	30 PCS/CTN	P265.00
SSD 03	3 HOLES (6 modules)	30 PCS/CTN	P315.00
SSD 04	4 HOLES (8 modules)	20 PCS/CTN	P378.00
SSD 05	5 HOLES (10 modules)	12 PCS/CTN	P440.00
SSD 06	6 HOLES (12 modules)	10 PCS/CTN	P515.00
SSD 07	7 HOLES (15 modules)	10 PCS/CTN	P600.00
SSD 09	9 HOLES (18 modules)	10 PCS/CTN	P790.00
SSD 12	12 HOLES (24 modules)	10 PCS/CTN	P1,030.00
SSD 18	18 HOLES (36 modules)	5 PCS/CTN	P1,575.00

## CIRCUIT BREAKER

**CTL-2P** PLUG-IN

12 PCS/BOX  
96 PCS/CTN

15A-20A-30A	P220.50
40A-60A	P241.50
70A	P410.00
100A	P440.00



## CIRCUIT BREAKER

**CTL-B-2P** BOLT-ON

12 PCS/BOX  
48 PCS/CTN

15A-20A-30A	P288.50
40A-60A	P315.00
100A	P530.00



## DISTRIBUTION BOX-SDD

Model	Type	Quantity	Price
SDD 03	3 HOLES (4-6 BIT)	12 PCS/CTN	P400.00
SDD 04	4 HOLES (7-9 BIT)	12 PCS/CTN	P550.00
SDD 06	6 HOLES (10-13 BIT)	10 PCS/CTN	P680.00
SDD 11	11 HOLES (18-22 BIT)	10 PCS/CTN	P1,090.00



## SAFETY BREAKER

**SHP-2P**

60 PCS/CTN

15A-20A-30A	P315.00
40A-60A	P340.00
70A	P620.50
100A	P645.50



## SAFETY BREAKER

**SHP-2P-W** SERIES

60 PCS/CTN

15A-20A-30A	P410.00
40A-60A	P430.00



HA 4WAY

## DISTRIBUTION BOX-SDD

- Using tight rubber rings
- Reinforced sealing ring made of polyurethane material
- High corrosion resistance
- Better waterproof and longer lifespan

Model	Sizes(mm)			Quantity	Price
	Width	Height	Depth		
HA 4WAY	140	210	100	20 PCS/CTN	—
HA 8WAY	215	210	100	20 PCS/CTN	—
HA 12WAY	300	260	140	10 PCS/CTN	—
HA 18WAY	410	285	140	5 PCS/CTN	—
HA 24WAY	300	415	140	5 PCS/CTN	—

## GFCI DUPLEX UNIVERSAL OUTLET WITH GROUND

### GFC-203

#### PARAMETER DATA

- Superior lifespan
- Certified product safety
- Silver plated contacts
- Electrolytic copper components
- Corrosion resistant materials
- Solid brass contact
- Secure plug insertion
- Superior conductivity
- Oxidation resistant materials
- Enhanced contact during operation

Quantity	60PCS/CTN
Price	P1,130.00



## DISTRIBUTION BOX-SDD

Model	Sizes(mm)			Quantity	Price
	Width	Height	Depth		
HT-2	54	121	90	—	—
HT-3	79	165	95	—	—
HT-5	118.5	159	91.5	—	—
HT-8	200	154	92	—	—
HT-15	309	199	109	—	—
HT-18	365	198	109	—	—
HT-24	274	356	110	—	—

HT-2





## DISTRIBUTION BOX-SDD



SK-4

Model	Sizes(mm)			Quantity	Price
	Width	Height	Depth		
SK-4	107	202	100	—	—
SK-6	165	200	100	—	—
SK-9	219	200	100	—	—
SK-12	273	230	110	—	—
SK-18	381	230	115	—	—
SK-24	275	380	115	—	—

## WATERPROOF ISOLATION SWITCH



HFK

- Size: 166 x 83 x 86mm
- Rated current: 20A / 35A / 63A
- IP: IP66
- Material: ABS
- Conductive material: Silver
- Series: 1P / 2P / 3P / 4P

## ELECTRONIC



WA 003  
P832.50

## DIGITAL



WA 004  
P1,100.00

## WATT-HOUR METER MAGNETIC SUSPENSION

- Single-phase
- ERC type approved
- Voltage:240V
- Current:10(60)A
- Frequency:60Hz
- With GLASS cover
- 20 PCS/CTN**

## POWER PUSH BUTTON SWITCH



BS-B

Type	No.of phases	Rated voltage	Applicable motor capacity KW	Resistance load	Weight	Sizes	Quantity	Price
BS-210B	2.3	600V	1.1 AT 220V	7.5(10)A	0.13KG	90x44x49mm	50 PCS/CTN	P200.00
BS-215B	2.3	600V	2.2 AT 220V	15(10)A	0.18KG	93x53x54mm	50 PCS/CTN	P250.00
BS-230B	2.3	600V	3.7 AT 220V	22.5(10)A	0.22KG	112x62x56mm	50 PCS/CTN	P300.00

## PVC ACCESSORIES



# PVC CABLE CLIP (ORANGE/BLUE)



(ROUND)

Sizes	Quantity PCS/PACK; PACK/CTN	Price
CHR-20mm (1/2')	100; 50	P120.00
CHR-25mm (3/4')	100; 50	P160.00
CHR-32mm (1')	50; 50	P105.00

# PVC CABLE CLIP (WHITE)



## CHF

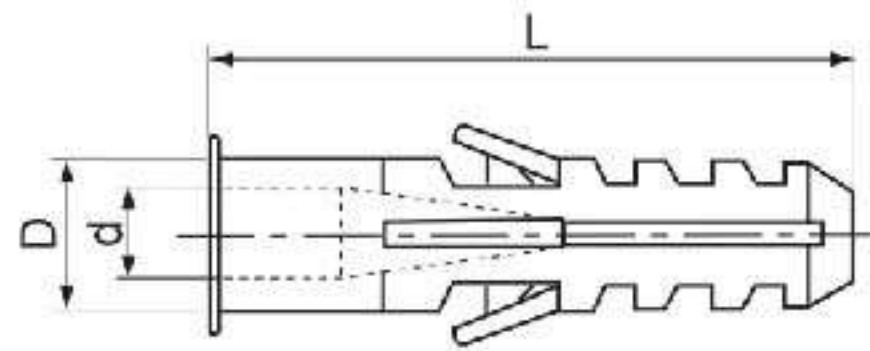
Items	Quantity PCS/PACK; PACK/CTN	Price
Flat		
CHF-4mm	100; 500	P20.00
CHF-6mm	100; 400	P24.00
CHF-8mm	100; 250	P28.50
CHF-9mm	100; 250	P36.50
CHF-10mm	100; 200	P47.50
CHF-12mm	100; 200	P68.50
CHF-14mm	100; 125	P79.50

## CHR

Items	Quantity PCS/PACK; PACK/CTN	Price
Round		
CHR-4mm	100; 500	P20.00
CHR-6mm	100; 300	P24.00
CHR-8mm	100; 250	P28.50
CHR-9mm	100; 200	P36.50
CHR-10mm	100; 150	P47.50
CHR-12mm	100; 100	P68.50
CHR-14mm	100; 100	P79.50

# EXPAND PLUGS

Material: made of PE.  
Color: White/Orange



Item No.	L	D	D	Screw	QTY/PACK	PACK/CTN	Price
EN-05 (WHITE) / (ORANGE)	25.0mm	4.8mm	3.2mm	Φ3x28mm	50 pcs/pack	400	P9.50
EN-06 (WHITE) / (ORANGE)	29.8mm	6.0mm	4.9mm	Φ4x32mm	50 pcs/pack	400	P10.50
EN-07 (WHITE) / (ORANGE)	29.8mm	7.0mm	5.3mm	Φ5x32mm	50 pcs/pack	400	P13.50
EN-08 (WHITE) / (ORANGE)	39.2mm	8.0mm	5.3mm	Φ5x40mm	50 pcs/pack	200	P23.00
EN-10 (WHITE) / (ORANGE)	44.0mm	9.9mm	5.8mm	Φ5x45mm	50 pcs/pack	100	P39.00
EN-12 (WHITE) / (ORANGE)	48.3mm	11.6mm	6.3mm	Φ6x60mm	50 pcs/pack	80	P57.50

Item No.	Quantity PCS/PACK; PACK/CTN	Price
PLUGS+SCREW EN-05-A	50+50; 200	P31.00
PLUGS+SCREW EN-06-A	50+50; 200	P41.50
PLUGS+SCREW EN-07-A	50+50; 150	P72.50
PLUGS+SCREW EN-08-A	50+50; 100	P81.50
PLUGS+SCREW EN-10-A	50+50; 80	P114.50
PLUGS+SCREW EN-12-A	50+50; 50	P156.50



# PVC CABLE CLIP W/BLISTER PACK

MATERIAL:  
NYLON 66 (UL RECOGNIZED)  
UL FLAMMABILITY 94V.2 (DO NOT OPEN UNTIL READY FOR USE)



## ROUND CLIP

Sizes	PCS/PACK; PACK/CTN	Price
CR-3010-1-6MM	25 ; 1100	P13.50
CR-3010-2-8MM	20 ; 1100	P13.50
CR-3010-3-9MM	18 ; 1000	P13.50
CR-3010-4-10MM	15 ; 900	P13.50
CR-3010-5-12MM	12 ; 750	P13.50
CR-3010-6-14MM	8 ; 1100	P13.50



## SQUARE CLIP

Sizes	PCS/PACK; PACK/CTN	Price
CF-3020-1-6MM	25 ; 1400	P13.50
CF-3020-2-8MM	20 ; 1100	P13.50
CF-3020-3-9MM	18 ; 1200	P13.50
CF-3020-4-10MM	15 ; 1200	P13.50
CF-3020-5-12MM	12 ; 1500	P13.50
CF-3020-6-14MM	8 ; 1600	P13.50



## EXPAND PLUGS

Sizes	PCS/PACK; PACK/CTN	Price
EP-3030-1 EN-05	20 ; 900	P12.00
EP-3030-2 EN-06	18 ; 1000	P12.00
EP-3030-3 EN-07	15 ; 1200	P13.00
EP-3030-4 EN-08	12 ; 750	P13.50
EP-3030-5 EN-10	8 ; 550	P13.50
EP-3030-6 EN-12	7 ; 550	P15.50



## TOX WITH SCREW

Sizes	PCS/PACK; PACK/CTN	Price
EP-3040-1 05+SCREW	15 ; 600	P18.50
EP-3040-2 06+SCREW	15 ; 600	P18.50
EP-3040-3 07+SCREW	12 ; 500	P22.50
EP-3040-4 08+SCREW	10 ; 450	P24.00
EP-3040-5 10+SCREW	7 ; 500	P24.00
EP-3040-6 12+SCREW	5 ; 450	P26.00

# PVC CABLE CLIP W/BLISTER PACK



## ROUND CLIP CR

Sizes	PCS/PACK; PACK/CTN	Price
CR-1010-1-6mm	25 ; 100	P21.00
CR-1010-2-8mm	20 ; 100	P21.00
CR-1010-3-9mm	18 ; 100	P21.00
CR-1010-4-10mm	15 ; 100	P21.00
CR-1010-5-12mm	12 ; 100	P21.00
CR-1010-6-14mm	8 ; 100	P21.00



## SQUARE CLIP CF

Sizes	PCS/PACK; PACK/CTN	Price
CF-1020-1-6mm	25 ; 100	P21.00
CF-1020-2-8mm	20 ; 100	P21.00
CF-1020-3-9mm	18 ; 100	P21.00
CF-1020-4-10mm	15 ; 100	P21.00
CF-1020-5-12mm	12 ; 100	P21.00
CF-1020-6-14mm	8 ; 100	P21.00



## TOX-BLISTER PACK

Sizes	PCS/PACK; PACK/CTN	Price
EP-1030-1 EN-05	20 ; 100	P18.00
EP-1030-2 EN-06	18 ; 100	P18.00
EP-1030-3 EN-07	15 ; 100	P20.00
EP-1030-4 EN-08	12 ; 100	P21.50
EP-1030-5 EN-10	8 ; 100	P21.50
EP-1030-6 EN-12	7 ; 100	P23.00



## TOX WITH SCREW-BLISTER PACK

Sizes	PCS/PACK; PACK/CTN	Price
EP-1040-1 05+SCREW	15 ; 100	P26.50
EP-1040-2 06+SCREW	15 ; 100	P31.00
EP-1040-3 07+SCREW	12 ; 100	P36.50
EP-1040-4 08+SCREW	10 ; 100	P36.50
EP-1040-5 10+SCREW	7 ; 100	P36.50
EP-1040-6 12+SCREW	5 ; 100	P46.00



## CABLE TIES

Sizes	(WHITE)		(BLACK / WHITE)	
	PCS/PACK ; PACK/CTN	Price	PCS/PACK ; PACK/CTN	Price
CABLE TIES 3mmX100 ( 4" )	25 ; 1800	P7.50	100 ; 500	P22.00
CABLE TIES 3mmX120 ( 5" )	25 ; 1500	P9.50	100 ; 450	P29.50
CABLE TIES 3mmX150 ( 6" )	25 ; 1200	P11.50	100 ; 350	P36.00
CABLE TIES 3mmX200 ( 8" )	25 ; 1000	P16.00	100 ; 300	P55.50
CABLE TIES 4mmX150 ( 6" )	25 ; 900	P18.00	100 ; 250	P62.50
CABLE TIES 4mmX180 ( 7" )	25 ; 800	P21.00	100 ; 220	P74.00
CABLE TIES 4mmX200 ( 8" )	25 ; 800	P23.00	100 ; 200	P81.00
CABLE TIES 4mmX250 ( 10" )	25 ; 700	P33.00	100 ; 180	P116.00
CABLE TIES 4mmX300 ( 12" )	25 ; 500	P41.50	100 ; 150	P145.00
CABLE TIES 5mmX200 ( 8" )	25 ; 500	P36.50	100 ; 150	P125.00
CABLE TIES 5mmX250 ( 10" )	25 ; 440	P44.50	100 ; 130	P156.00
CABLE TIES 5mmX300 ( 12" )	25 ; 400	P53.50	100 ; 100	P188.00
CABLE TIES 5mmX350 ( 14" )	25 ; 350	P66.50	100 ; 90	P233.00



## PACKAGING TAPE CLEAR 2"

SIZE: (2") 48mm X 100m  
48 PCS/CTN  
P65.00



## PVC FLOOR MARKING TAPE

0.15mm X 48mm X 30m  
30 PCS/CTN  
P190.00



## PVC DUCT TAPE 2"

SIZE: (2") 48mm X 20m  
24 PCS/CTN  
P65.00



## CABLE TIES

Sizes	(BLACK / WHITE)	
	PCS/PACK ; PACK/CTN	Price
CABLE TIES 7mmX150 ( 6" )	50 ; 200	P98.00
CABLE TIES 8mmX200 ( 8" )	50 ; 150	P135.00
CABLE TIES 8mmX250 ( 10" )	50 ; 130	P158.50
CABLE TIES 8mmX300 ( 11 5/8" )	50 ; 110	P195.00
CABLE TIES 8mmX350 ( 13 3/4" )	50 ; 90	P210.00
CABLE TIES 8mmX370 ( 14 1/4" )	50 ; 90	P230.00
CABLE TIES 8mmX400 ( 15 3/4" )	50 ; 80	P245.00
CABLE TIES 8mmX450 ( 17 3/4" )	50 ; 70	P285.00
CABLE TIES 8mmX500 ( 19 11/16" )	50 ; 60	P315.00
CABLE TIES 9mmX500 ( 19 11/16" )	50 ; 50	P345.00
CABLE TIES 9mmX450 ( 17 3/4" )	50 ; 50	P425.00
CABLE TIES 9mmX530 ( 20 3/4" )	50 ; 40	P480.50
CABLE TIES 9mmX550 ( 21 1/16" )	50 ; 40	P490.00
CABLE TIES 9mmX600 ( 23 5/8" )	50 ; 40	P475.00
CABLE TIES 9mmX650 ( 25 9/16" )	50 ; 40	P560.00
CABLE TIES 9mmX700 ( 27 1/2" )	50 ; 30	P590.00
CABLE TIES 9mmX760(thin) ( 30" )	50 ; 30	P560.00
CABLE TIES 9mmX920(thin) ( 36 1/4" )	50 ; 24	P665.00
CABLE TIES 10mmX450 ( 17 3/4" )	50 ; 50	P430.00
CABLE TIES 10mmX500 ( 19 11/16" )	50 ; 40	P460.00
CABLE TIES 12mmX300 ( 11 5/8" )	50 ; 40	P480.00
CABLE TIES 12mmX400 ( 15 3/4" )	50 ; 30	P620.00
CABLE TIES 12mmX650 ( 25 9/16" )	50 ; 16	P820.00
CABLE TIES 12mmX750 ( 29 9/16" )	50 ; 16	P930.00



## MASKING TAPE

Sizes	Quantity	Price
1/2" 12mm x 20m	96 PCS/CTN	P1,360.00
3/4" 18mm x 20m	64 PCS/CTN	P1,360.00
1" 24mm x 20m	48 PCS/CTN	P1,360.00
1 1/2" 36mm x 20m	32 PCS/CTN	P1,360.00
2" 48mm x 20m	24 PCS/CTN	P1,360.00



## PVC ELECTRICAL TAPE

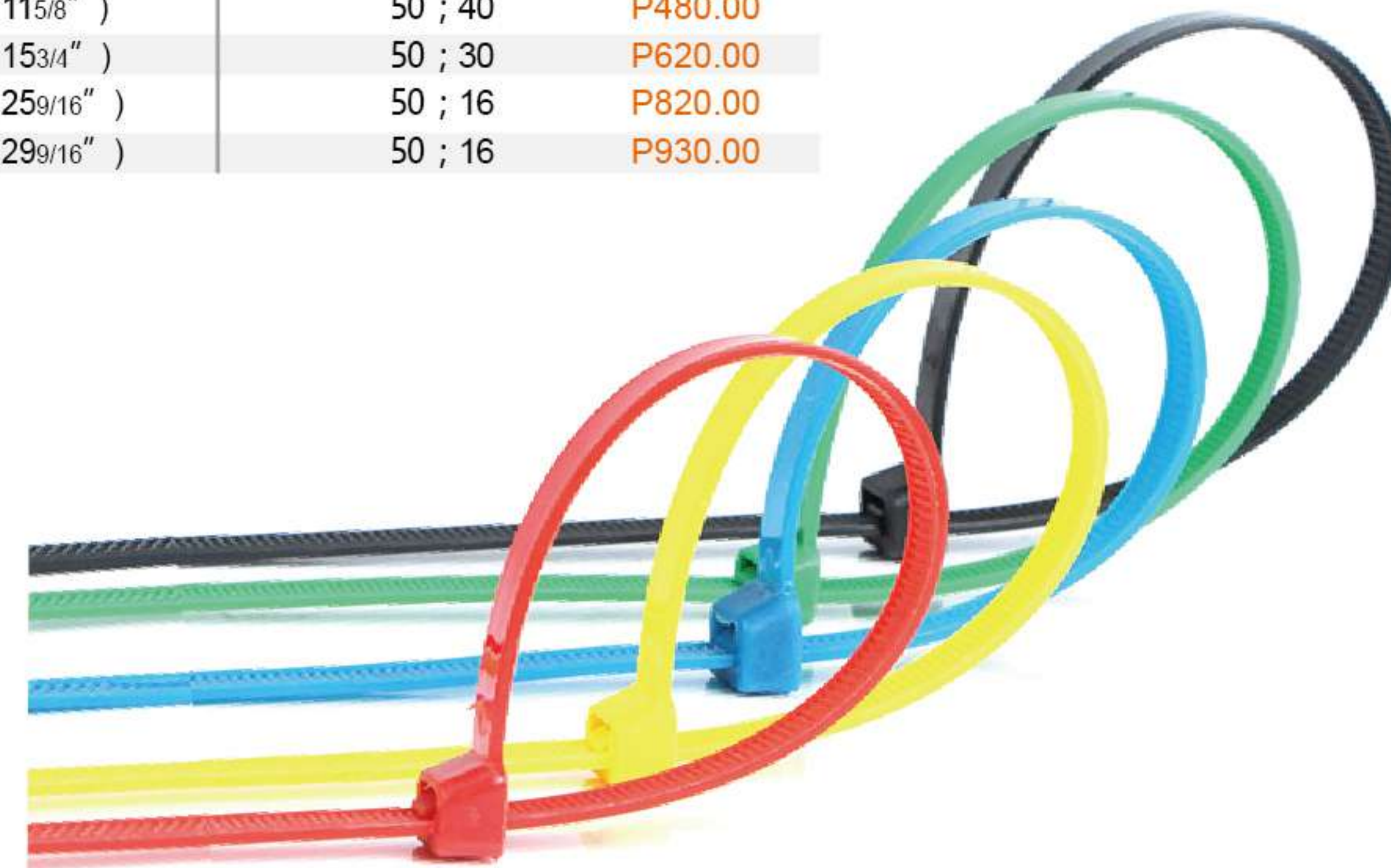
Red / Black / Yellow / Green / Blue / White

Sizes	Quantity	Price
0.165mm x 18mm x 4m	500 PCS/CTN	P9.50
0.165mm x 18mm x 16m	200 PCS/CTN	P27.50



## ECO-FRIENDLY MATERIALS

High standard environmental protection materials, in line with environmental protection PVC materials, international quality



## DOUBLE -SIDED TAPE

Sizes	Quantity	Price
1/2" 12mm x 20m	96 PCS/CTN	P1,200.00
3/4" 18mm x 20m	64 PCS/CTN	P1,200.00
1" 24mm x 20m	48 PCS/CTN	P1,200.00



## FOAM DOUBLE-SIDED TAPE

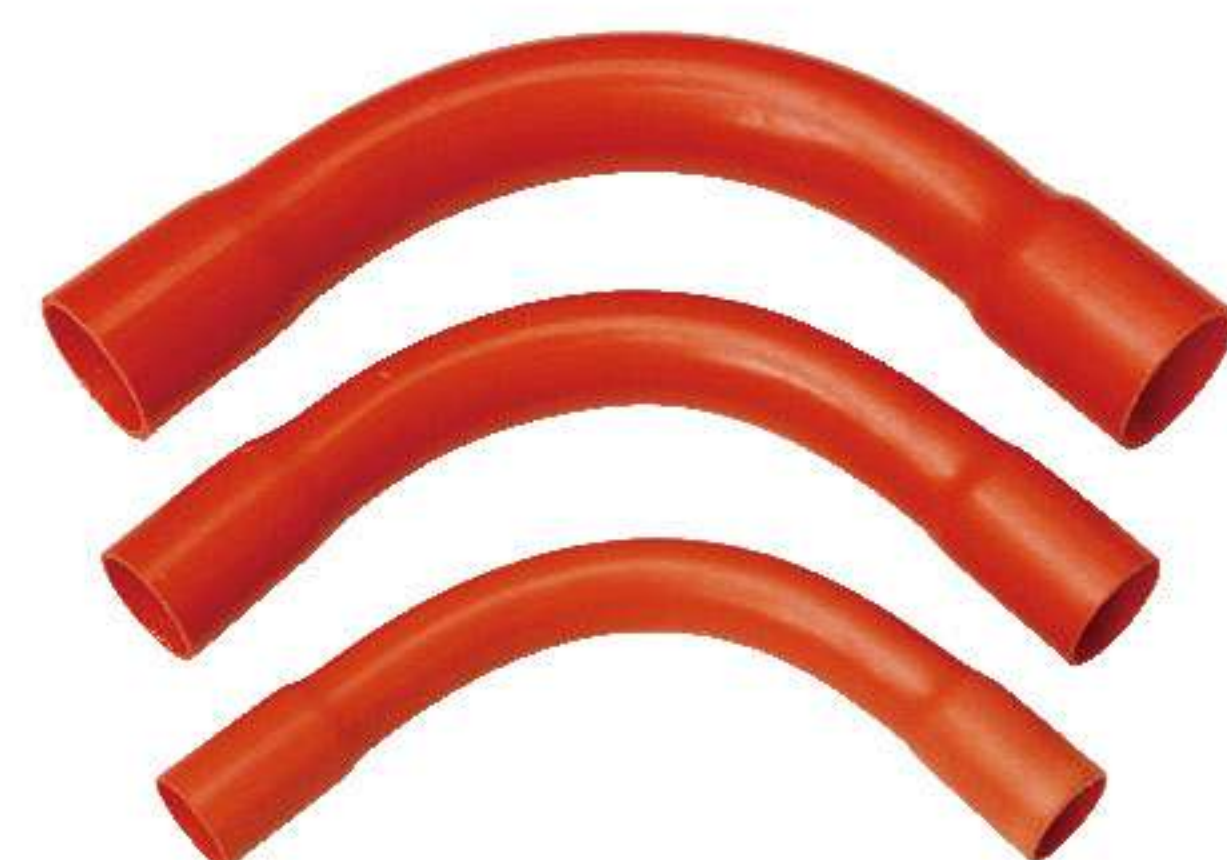
Sizes	Quantity	Price
1/2" 12mm x 5m	144 PCS/CTN	P3,988.00
3/4" 18mm x 5m	96 PCS/CTN	P3,398.00
1" 24mm x 5m	72 PCS/CTN	P3,108.00

## OTHERS



### SHORT ELBOW 90°

Size(mm)	Quantity	Price
Φ20 (1/2')	250 pcs/ctn	P7.00
Φ25 (3/4')	200 pcs/ctn	P10.00
Φ32 (1')	600 pcs/sack	P19.00



### CONDUIT LONG ELBOW 90°

Size(mm)	Quantity	Price
Φ20 (1/2')	250 pcs/sack	P12.50
Φ25 (3/4')	200 pcs/sack	P16.00
Φ32 (1')	150 pcs/sack	P32.50



**SUC-004**  
SURFACE TYPE UTILITY BOX  
100 PCS/CTN  
P35.50

## PVC MOULDING

Size(MM)	PCS/BUNDLE	Price
1/2' 12 X 12 X 2.44	50 pcs/bundle	P36.00
5/8' 15 X 10 X 2.44	50 pcs/bundle	P39.00
3/4' 20 X 12 X 2.44	50 pcs/bundle	P51.00
1' 25 X 12 X 2.44	25 pcs/bundle	P86.00
1 1/2' 40 X 12 X 2.44	10 pcs/bundle	P162.00
2' 50 X 12 X 2.44	8 pcs/bundle	P239.50



### WITH ADHESIVE TAPE

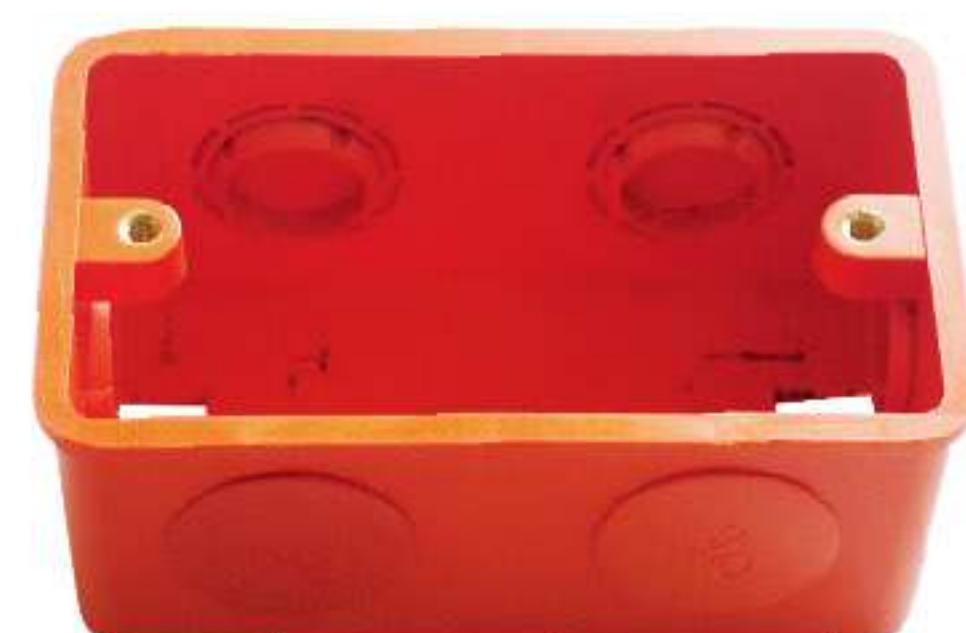
Size(MM)	PCS/BUNDLE	Price
1' 25 X 12 X 2.44	30 pcs/bundle	P98.50
1 1/2' 35 X 12 X 2.44	25 pcs/bundle	P133.50
2' 48 X 14 X 2.44	20 pcs/bundle	P192.00



**WJU-001**  
JUNCTION BOX  
100 PCS/CTN  
P13.80



**WJC-003**  
JUNCTION COVER  
1000PCS/CTN  
P5.80



**WUT-002**  
UTILITY BOX  
100 PCS/CTN  
P13.80



**WUT-005**  
SQUARE BOX 5X5  
40PCS/CTN  
12.5X12.5X5.2CM  
P63.00

## PVC SLOTTED WIRING DUCT

Item	MM	Size	CTN	Price
PXC-4025	1.5	1 X 1.7"	50	P232.00
PXC-4040	1.5	1.5 X 1.5"	50	P268.00
PXC-5030	1.5	1.2 X 2"	50	P268.00
PXC-5050	1.5	2 X 2"	50	P340.00
PXC-6040	1.5	1.4 X 2.3"	50	P340.00
PXC-6060	1.5	2.3 X 2.3"	40	P453.00
PXC-8050	1.5	2 X 3"	30	P475.00
PXC-8080	1.5	3 X 3"	18	P665.00
PXC-100100	1.5	4 X 4"	18	P988.00



### PVC FLEXIBLE CONNECTOR

Size(MM)	PCS/PACK	Price
1/2'	100 pcs/box ; 1000pcs/ctn	P4.80
3/4'	100 pcs/box ; 1000pcs/ctn	P6.70



### PVC PIPE CONNECTOR

Size(MM)	Quantity	Price
Φ20 (1/2')	500 pcs/ctn	P4.80
Φ25 (3/4')	150 pcs/ctn	P6.70



### MALE ADAPTER WITH LOCKNUT

Size(MM)	Quantity	Price
Φ20 (1/2')	50 pcs/pack; 20 pack/ctn	P5.40
Φ25 (3/4')	50 pcs/pack; 20 pack/ctn	P7.50
Φ32 (1')	25 pcs/pack; 20 pack/ctn	P12.00

## HIGH QUALITY PVC FLEXIBLE HOSE



### SCOPE OF APPLICATION

Outdoor line protection, engineering construction projects, mechanical equipment, power transmission and distribution projects, household electrical engineering.



### PRODUCT FEATURES

Quality assurance close-fitting cord, waterproof, oil-proof, anti-corrosion, heat-resistant. Flexible and flexible, High-quality materials, ingenuity manufacturing



### SCOPE OF APPLICATION

A variety of specifications are suitable for different occasions and standards, and can be tailored according to needs. Equipment wiring harness, a good helper for engineering wiring harness



### ECO-FRIENDLY MATERIALS

High standard environmental protection materials, in line with environmental protection PVC materials, international quality



Millimeters	Sizes		Length meters	Price
	Inches			
20	1/2		50	P340.00
20	1/2		100	P680.00
25	3/4		50	P530.00
25	3/4		100	P1,060.00
32	1		50	P745.00

# PVC ORANGE SANITARY PIPE



**ECO-FRIENDLY MATERIALS**

High standard environmental protection materials, in line with environmental protection PVC materials, international quality

Items	Sizes		Length	Quantity	Price	
	Millimeters	Inches	Meters			
	20	1/2	3	25 PCS/BUNDLE	50.00	
	25	3/4	3	25 PCS/BUNDLE	65.00	
	32	1	3	20 PCS/BUNDLE	94.00	
	20	1/2	3	25 PCS/BUNDLE	58.00	
	25	3/4	3	25 PCS/BUNDLE	76.00	
	32	1	3	20 PCS/BUNDLE	108.00	
	PVC ORANGE SANITARY PIPE(S-600)	57	2	3	PER PIECE	160.00
		82	3	3		300.00
		107	4	3		400.00
	PVC ORANGE SANITARY PIPE(S-1000)	57	2	3	PER PIECE	210.00
		82	3	3		420.00
		107	4	3		560.00
PVC ORANGE SANITARY PIPE(TYPE-B)	160	6	3	PER PIECE	900.00	



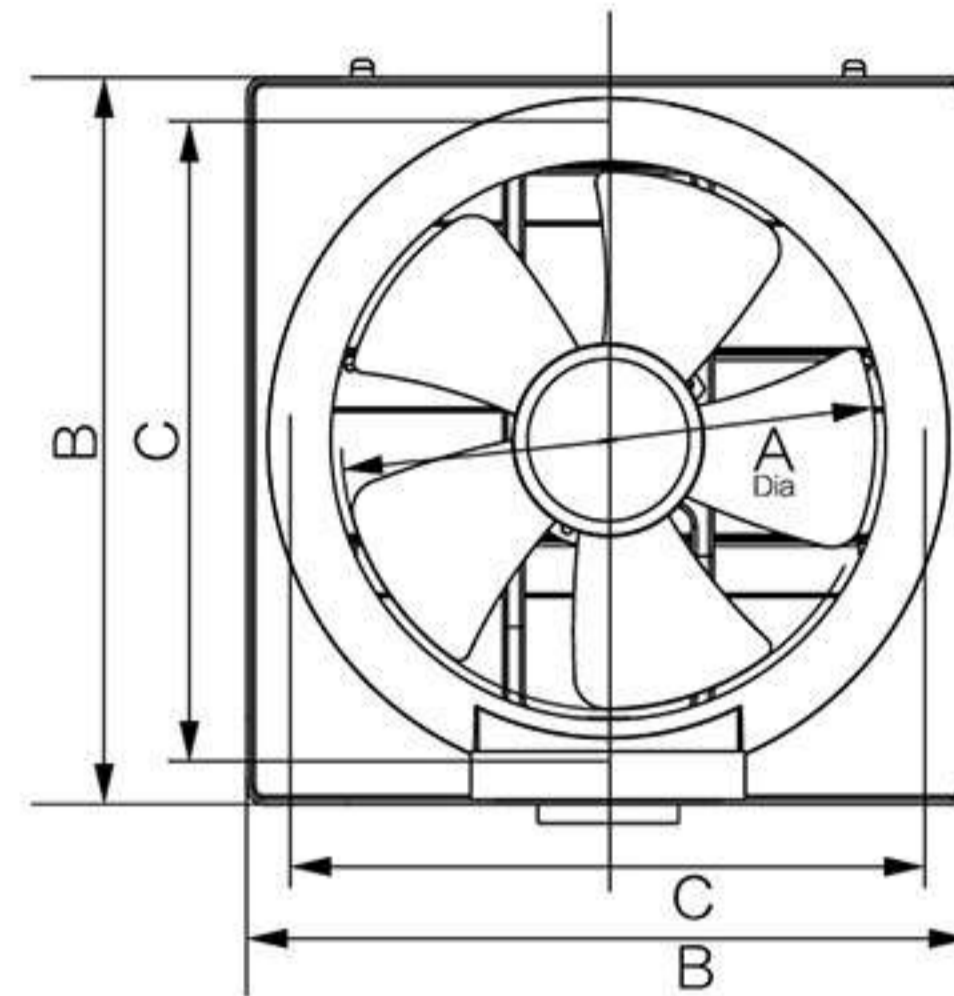
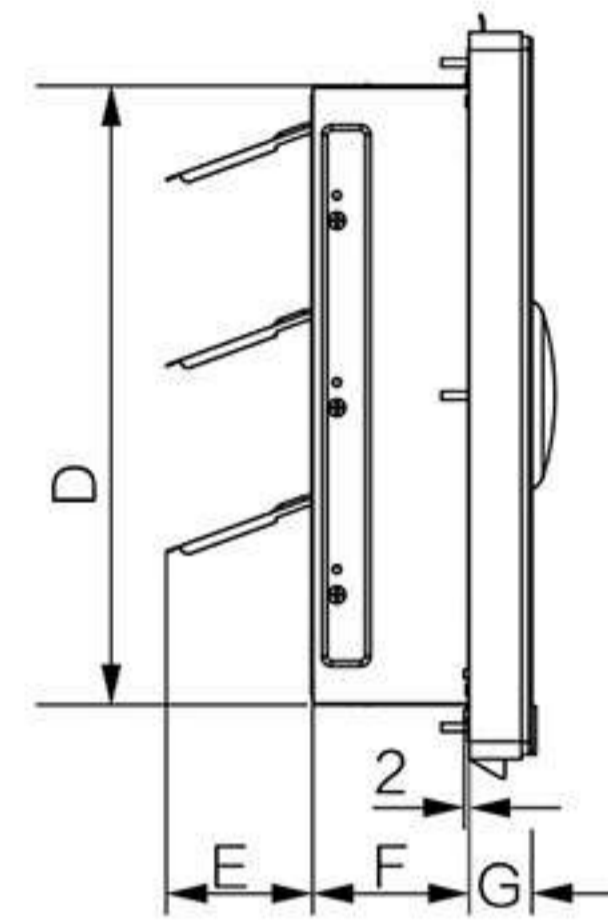
# PVC SANITARY FITTINGS

	SIZE	PRICE
ELBOW 45°	2"	P20.50
	3"	P39.50
	4"	P82.50
PVC TEE	2" X 2"	P36.00
	3" X 2"	P53.50
	3" X 3"	P70.00
	4" X 2"	P89.00
	4" X 3"	P109.00
ELBOW 90°	2"	P25.50
	3"	P53.00
	4"	P96.00
WYE	2" X 2"	P38.00
	3" X 2"	P60.50
	3" X 3"	P81.00
	4" X 2"	P97.00
	4" X 3"	P122.00
	4" X 4"	P165.00

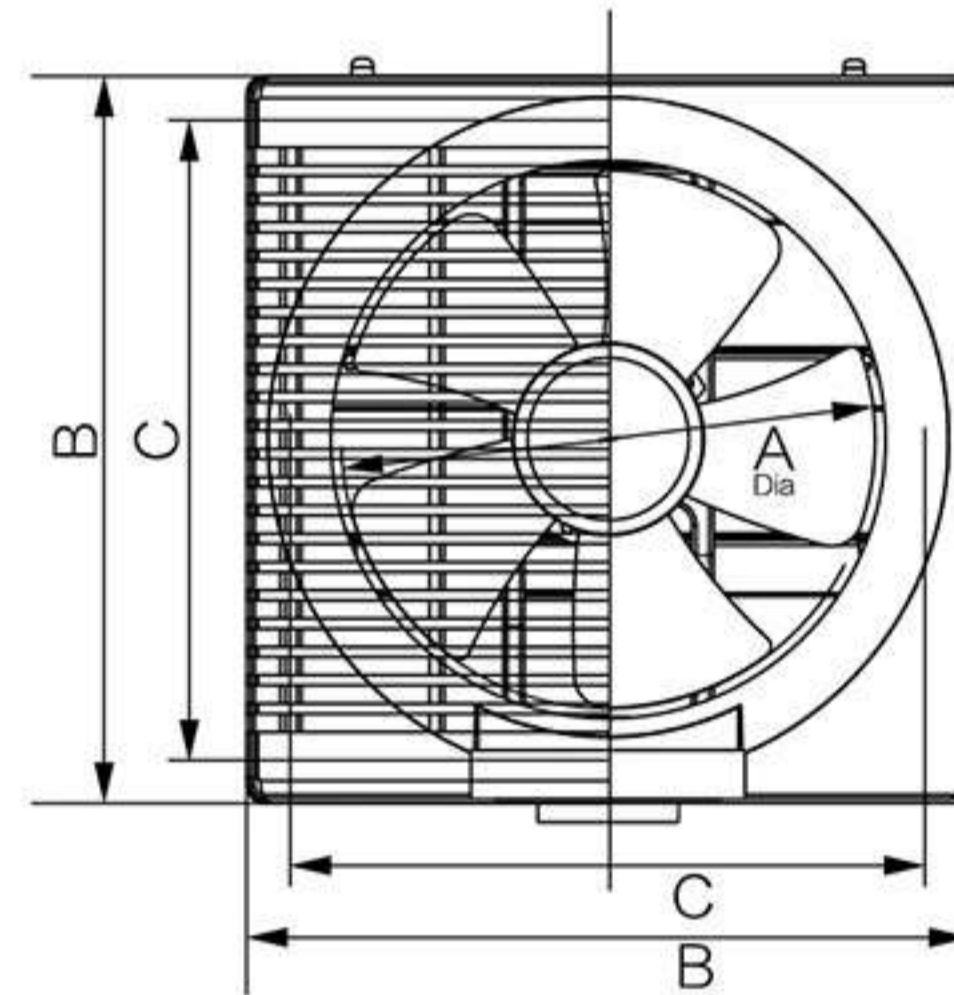
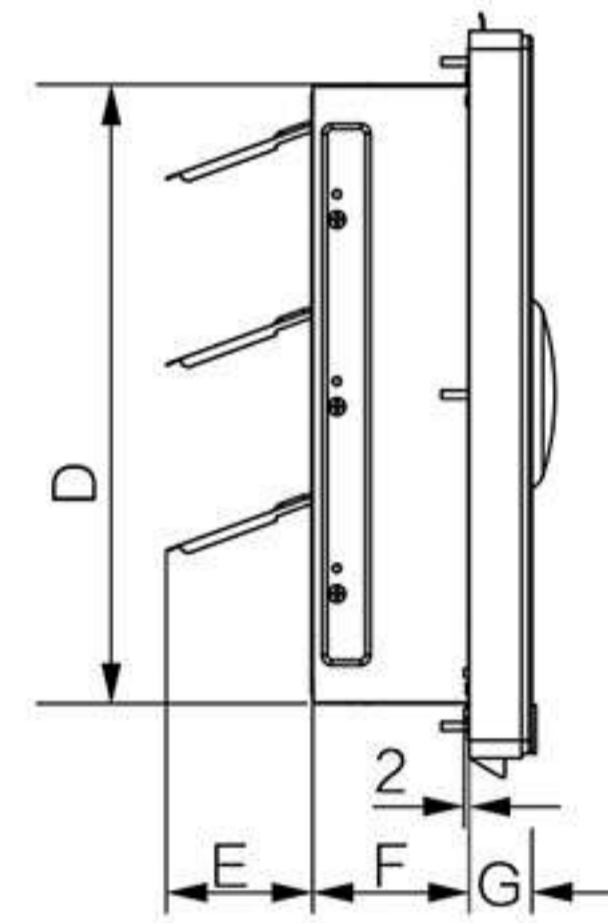
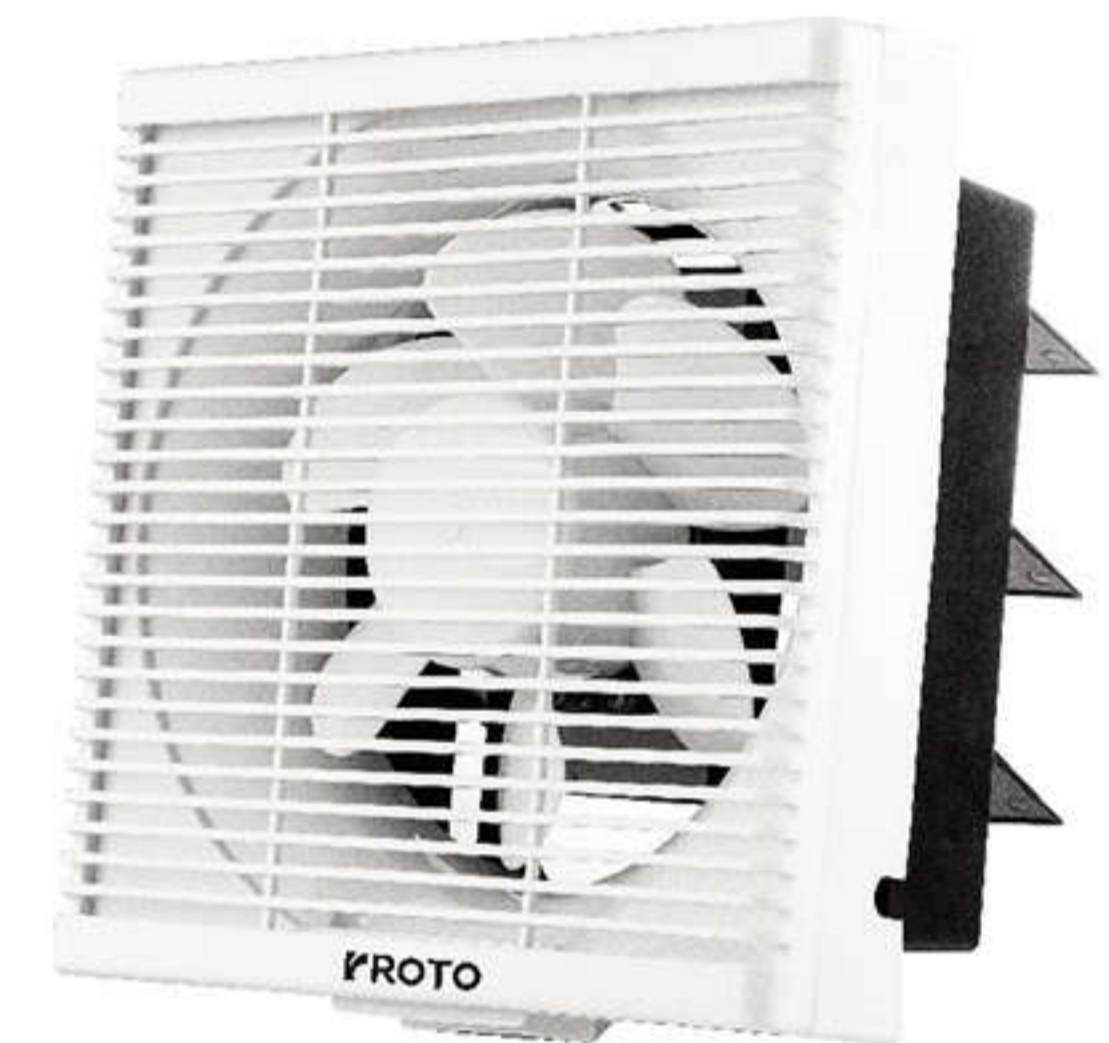
# VENTILATING FAN

# HALF METAL BLIND VENTILATING FAN WALL TYPE

APB-A



APB-B



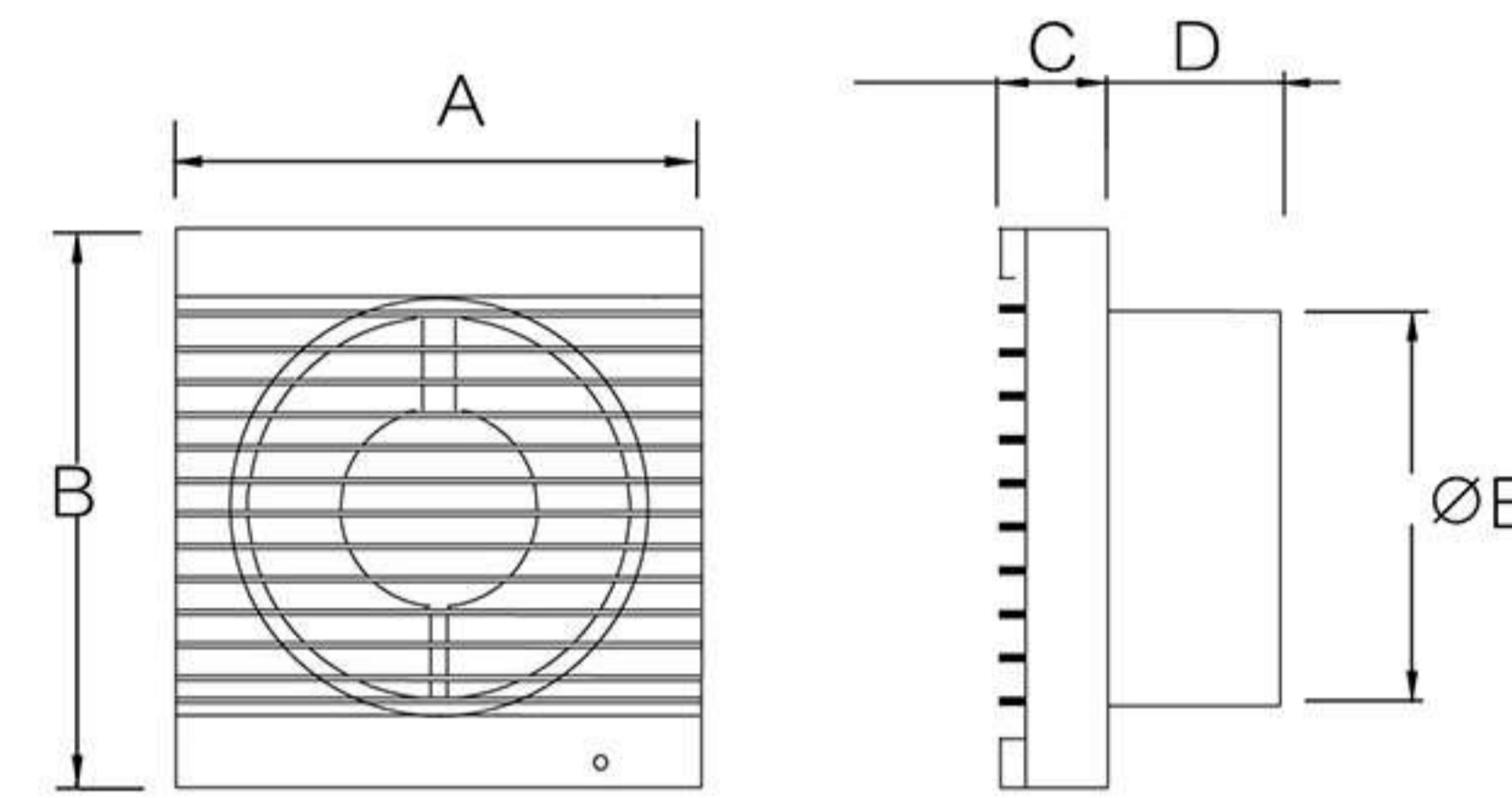
Model	A	B	C	D	E	F	G
APB15-3-A 6"	155	236	208	192	70	80	40
APB20-4-A 8"	200	290	257	240	60	84	47
APB25-5-A 10"	245	338	308	290	78	84	46
APB30-6-A 12"	295	394	362	343	90	84	46
APB15-3-B 6"	155	236	208	192	70	80	75
APB20-4-B 8"	200	293	260	230	60	84	65
APB25-5-B 10"	245	338	308	290	78	84	68
APB30-6-B 12"	295	394	362	343	90	84	80

Model	Rated voltage	Spec	Power	Rpm	Airdelivery	Noise	Net	Quantity	Price
APB15-3-A 6"	220V~/60Hz	150	25W	1640	4.0	46	1.28	5 PCS/CTN	P888.50
APB20-4-A 8"	220V~/60Hz	200	35W	1420	9.0	47	1.45	5 PCS/CTN	P1,010.50
APB25-5-A 10"	220V~/60Hz	250	40W	1330	13.0	48	1.68	5 PCS/CTN	P1,122.50
APB30-6-A 12"	220V~/60Hz	300	48W	1100	20.0	50	2.18	5 PCS/CTN	P1,394.50
APB15-3-B 6"	220V~/60Hz	150	25W	1640	4.0	46	1.42	5 PCS/CTN	P910.50
APB20-4-B 8"	220V~/60Hz	200	35W	1420	9.0	47	1.63	5 PCS/CTN	P1,035.50
APB25-5-B 10"	220V~/60Hz	250	40W	1330	13.0	48	1.91	5 PCS/CTN	P1,150.50
APB30-6-B 12"	220V~/60Hz	300	48W	1100	20.0	50	2.50	5 PCS/CTN	P1,415.50

# BATHROOM AND WINDOW VENTILATING FAN



Model	A	B	C	D	ΦE
APC 10-2-B 4"	150	150	18	75	98
APC 15-3-C 6"	204	220	21	90	150
APC 20-4-A 8"	234	254	20	101	178



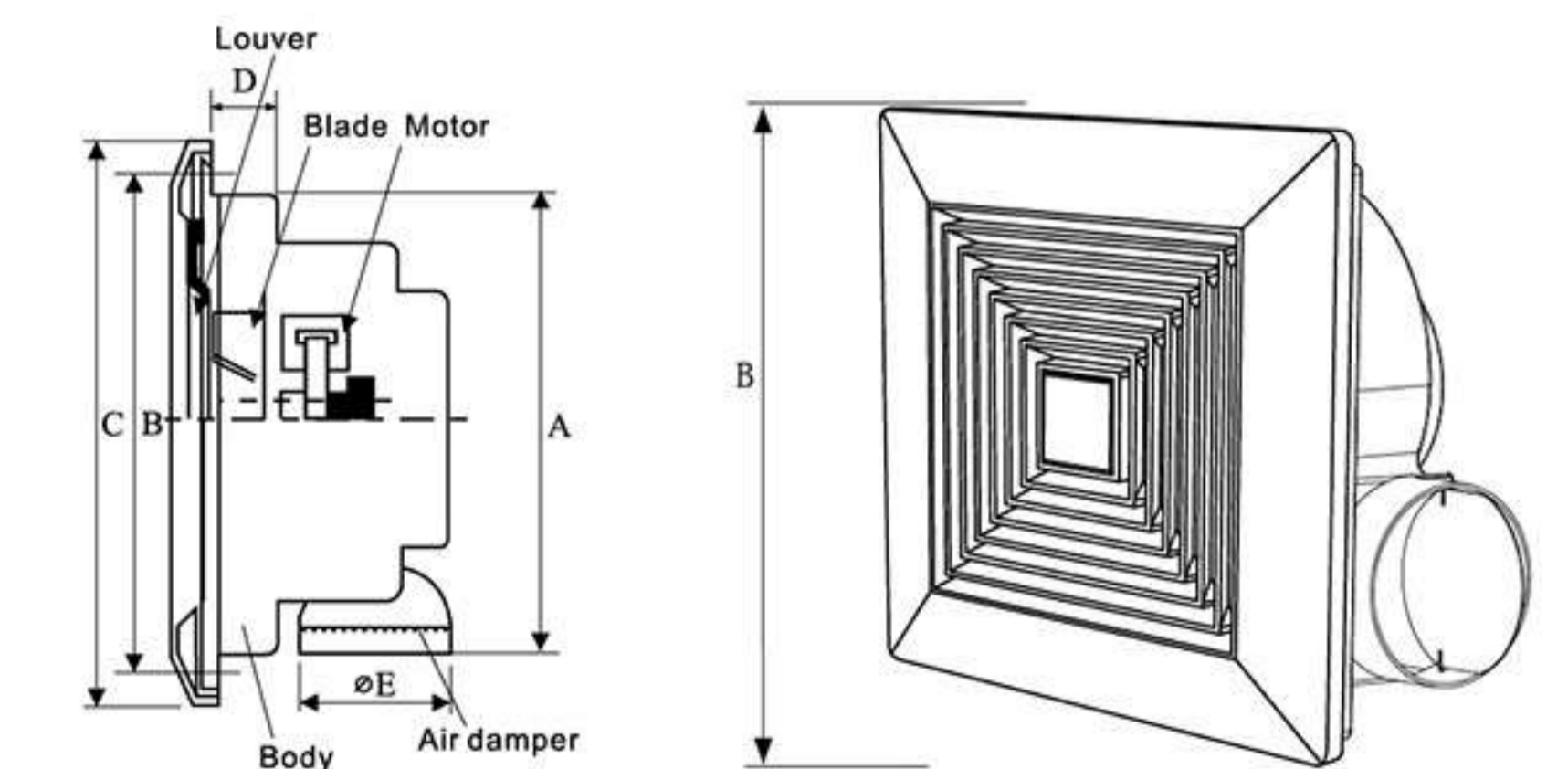
Model	Rated voltage	Spec	Power	Rpm	Airdelivery	Noise	Net	Quantity	Price
APC 10-2-B 4"	220V~/60Hz	100	9W	2600	1.0	43	0.52	10 PCS/CTN	P615.00
APC 15-3-C 6"	220V~/60Hz	150	15W	1600	3.0	48	0.88	10 PCS/CTN	P830.00
APC 20-4-A 8"	220V~/60Hz	200	19W	1470	4.2	52	1.06	10 PCS/CTN	P950.00

# TUBULAR VENTILATING FAN CEILING TYPE

BPT

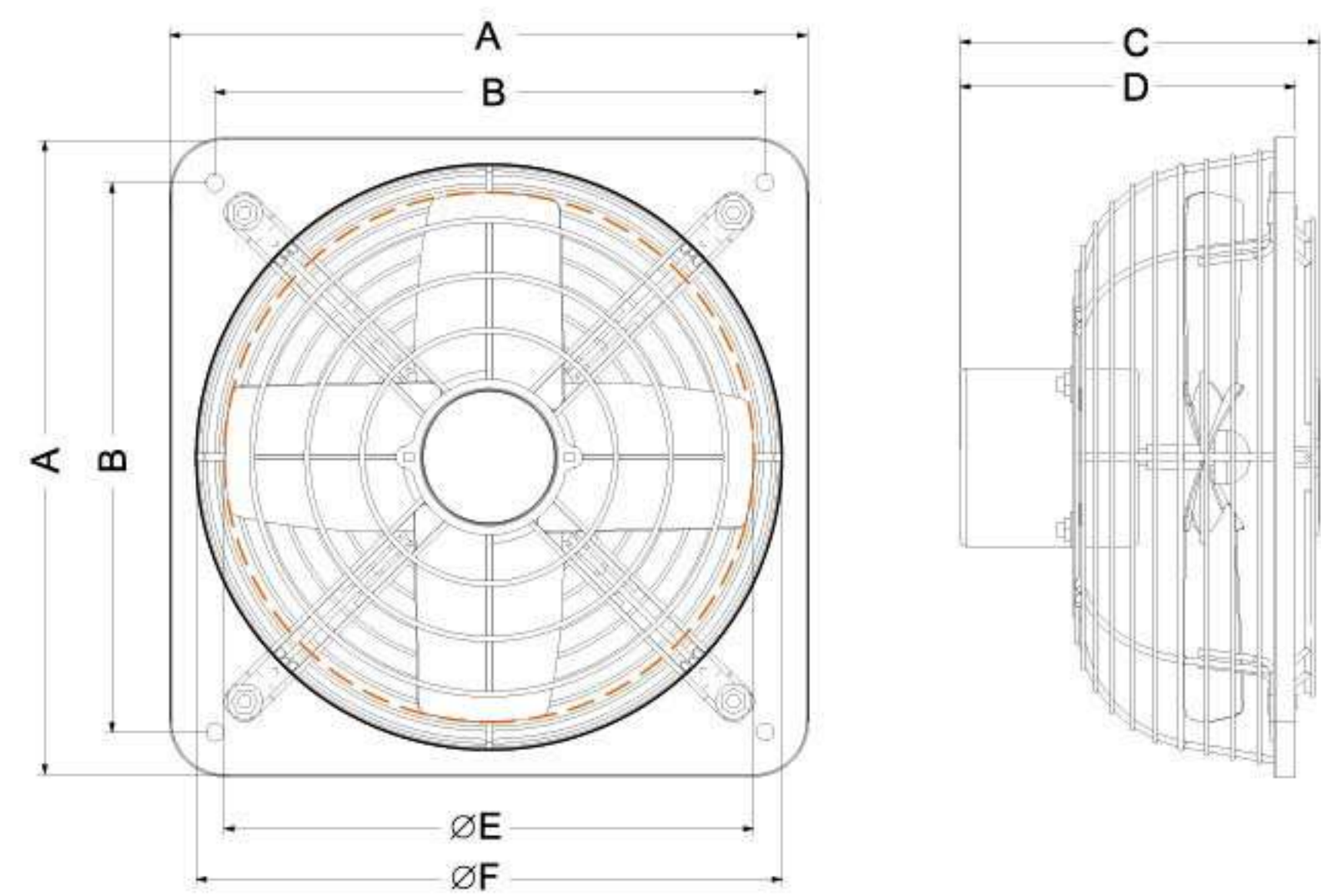


Model	A	B	C	D	ΦE
BPT10-13H20 10"	207	213	246	30	98
BPT10-23H25 12"	250	265	300	30	98
BPT15-33H45 14"	288	303	340	35	98
BPT18-35H60 24"	473	525	595	40	148



Model	Rated voltage	Spec	Power	Rpm	Airdelivery	Noise	Net	Quantity	Price
BPT10-13H20 10"	220V~/60Hz	200	28W	1240	2.0	43	1.28	5 PCS/CTN	P1,085.50
BPT10-23H25 12"	220V~/60Hz	250	35W	1000	3.0	46	1.60	5 PCS/CTN	P1,150.50
BPT15-33H45 14"	220V~/60Hz	300	40W	850	3.5	48	2.02	5 PCS/CTN	P1,415.50
BPT18-35H60 24"	220V~/50Hz	150	88W	780	7.0	46	5.10	1 PCS/CTN	P4,712.50

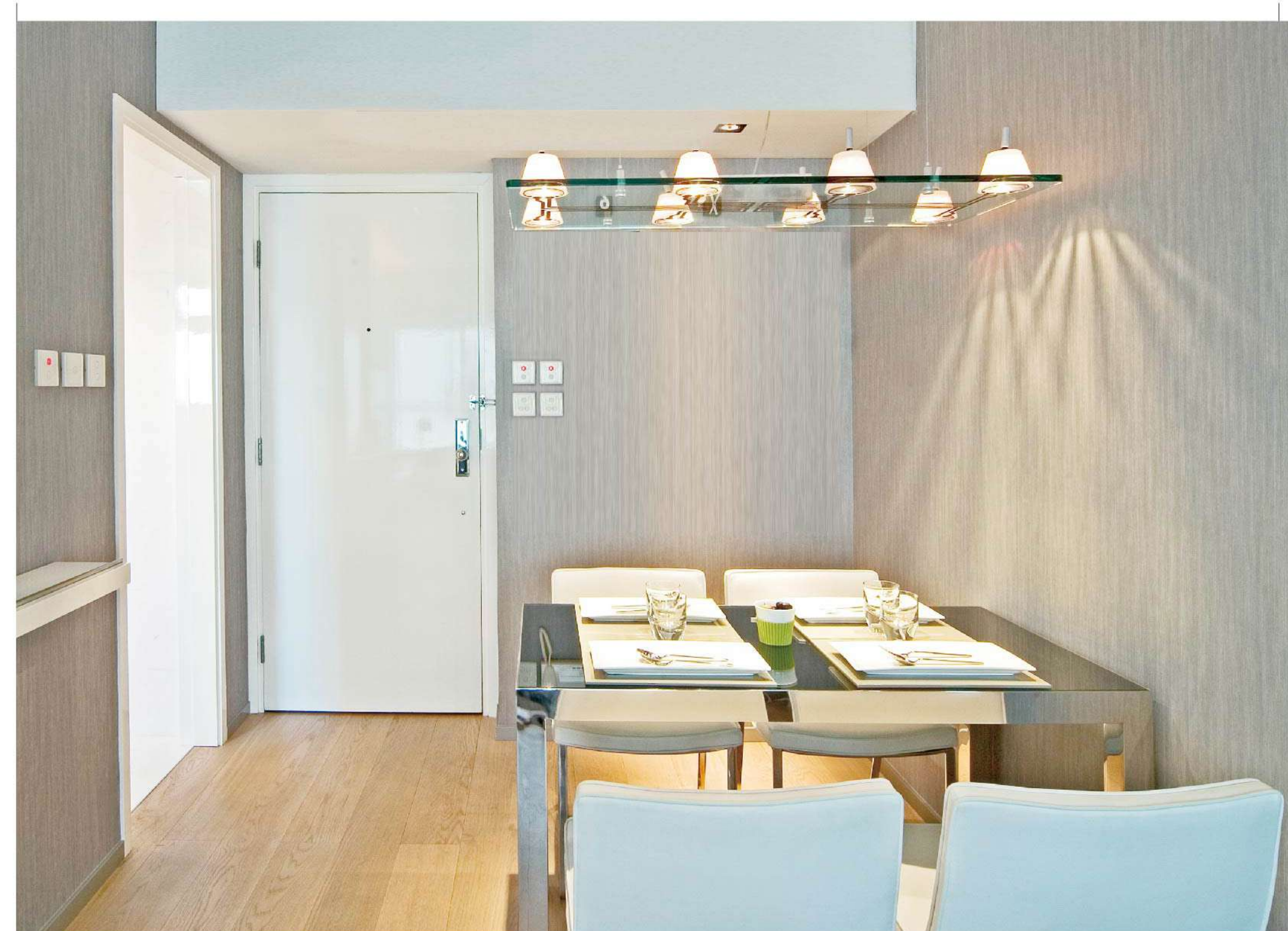
# INDUSTRIAL EXHAUST FAN



**FPK**



Model	Outer frame Spec	C	D	ΦE	Vent ΦF	Power	Rpm	Quantity	Price
FPK-30 12"	352x352	165	155	285	315	35W	1300	3 PCS/CTN	P2,200.00
FPK-35 14"	409x409	180	170	325	371	50W	1300	3 PCS/CTN	P2,750.00
FPK-40 16"	479x479	255	250	375	414	100W	1400	3 PCS/CTN	P4,380.00
FPK-50 20"	600x600	258	252	475	518	180W	1360	3 PCS/CTN	P5,200.00

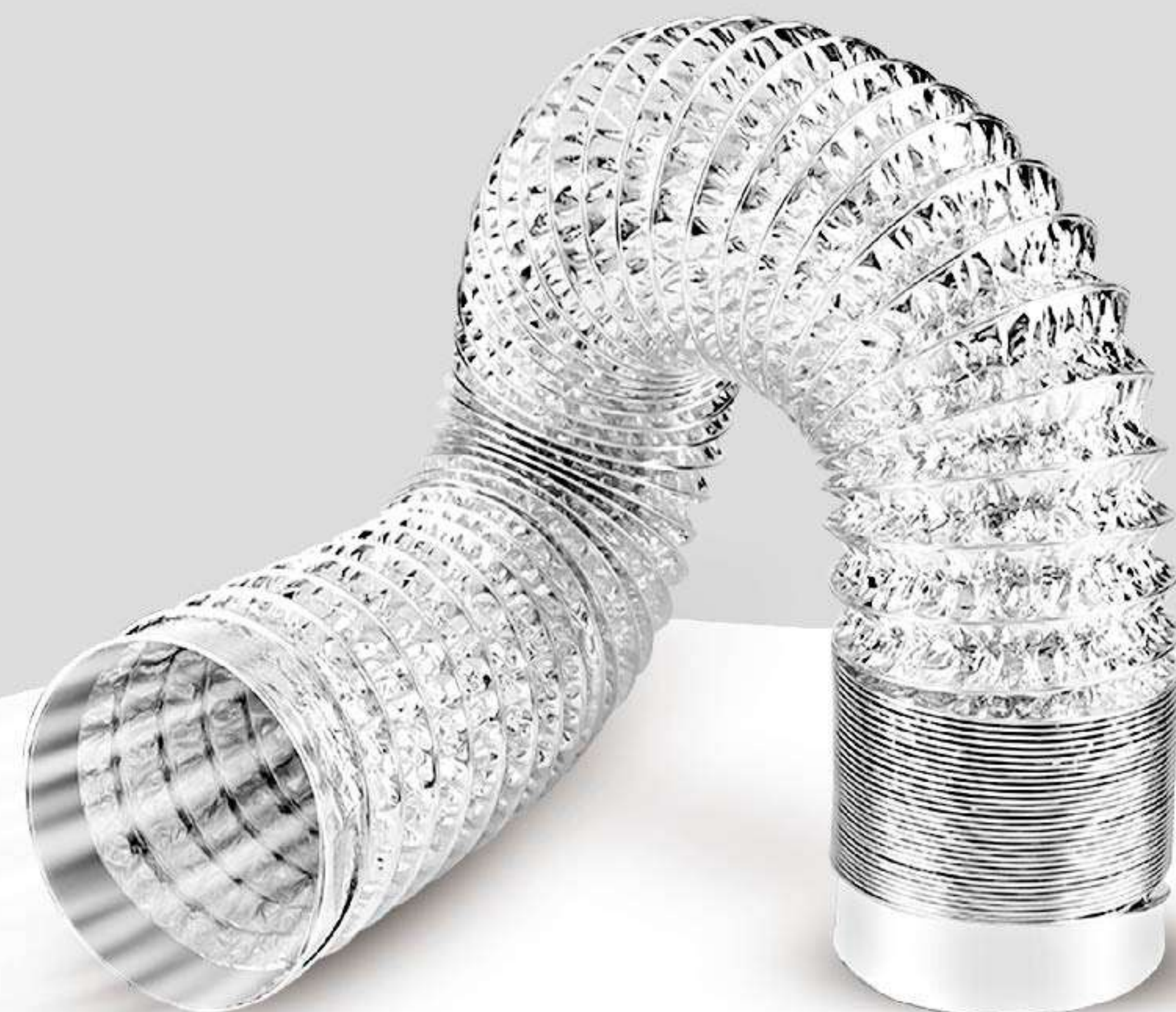


# ALUMINUM FLEXIBLE AIR VENTILATION DUCT

**INCREASE DENSITY**

**THICKEN**

**MORE DURABLE**



LENGTH AFTER ELONGATION	1M	1.5M
THICKNESS	0.023-0.025	0.023-0.025
DIAMETER	4"—10cm	6"—15cm
PRICE	P60.00	P120.00

# SWITCHES OUTLETS

Electrical Panel Series



# WALL SWITCH & OUTLET - CLASSIC SERIES

## FUNCTIONAL MODULE

					
WEATHER PROOF COVER-THIN 120 PCS/CTN <b>BW-002</b> P63.00	BLANK PLATE 10A 250V 10 PCS/BOX 200 PCS/CTN <b>WWO-100</b> P27.00	1 GANG PLATE 10A 250V 10 PCS/BOX 200 PCS/CTN <b>WWO-101</b> P24.00	2 GANG PLATE 10A 250V 10 PCS/BOX 200 PCS/CTN <b>WWO-102</b> P24.00	3 GANG PLATE 10A 250V 10 PCS/BOX 200 PCS/CTN <b>WWO-103</b> P24.00	1 WAY SWITCH 1 GANG 10A 250V 10 PCS/BOX 100 PCS/CTN <b>WO-501</b> P62.00
					
1 WAY SWITCH 2 GANG 10A 250V 10 PCS/BOX 100 PCS/CTN <b>WO-503</b> P100.00	1 WAY SWITCH 3 GANG 10A 250V 10 PCS/BOX 100 PCS/CTN <b>WO-505</b> P138.00	1 WAY SWITCH 1 GANG OUTLET 10A 250V 10PCS/BOX 100PCS/CTN <b>WO-511</b> P100.00	1 GANG OUTLET 10A 250V 10 PCS/BOX 100 PCS/CTN <b>WO-111</b> P62.00	2 GANG OUTLET 10A 250V 10 PCS/BOX 100 PCS/CTN <b>WO-113</b> P100.00	3 GANG OUTLET 10A 250V 10 PCS/BOX 100 PCS/CTN <b>WO-115</b> P138.00
					
1 GANG CONV OUTLET 10A 250V 10 PCS/BOX 100 PCS/CTN <b>WO-105</b> P76.50	2 GANG CONV OUTLET 10A 250V 10 PCS/BOX 100 PCS/CTN <b>WO-105-2</b> P129.00	3 GANG CONV OUTLET 10A 250V 10 PCS/BOX 100 PCS/CTN <b>WO-105-3</b> P181.50	2 GANG UNIVERSAL OUTLET W/GROUND 10A 250V 10 PCS/BOX 100 PCS/CTN <b>WO-155</b> P181.00	1 GANG CONV OUTLET W/GROUND 10A 250V 10 PCS/BOX 100 PCS/CTN <b>WPO-1203</b> P99.50	1 GANG BELL BUTTON SWITCH 10A 250V 10 PCS/BOX 100 PCS/CTN <b>WO-202</b> P77.00

				
2 GANG USB OUTLET 2100MA 5V 8 PCS/BOX 80 PCS/CTN <b>WO-302</b> P290.00	1 GANG TELEPHONE OUTLET 10A 250V 10 PCS/BOX 100 PCS/CTN <b>WO-403</b> P77.00	1 GANG MODULAR OUTLET 10A 250V 10 PCS/BOX 100 PCS/CTN <b>WO-412</b> P159.00	1 GANG TV CABLE OUTLET 2100MA 5V 10 PCS/BOX 100 PCS/CTN <b>WO-301</b> P74.00	1 GANG DIMMER SWITCH 10A 250V 6 PCS/BOX 60 PCS/CTN <b>WO-540S</b> P194.00
				
1 WAY SWITCH 10A 250V 10 PCS/BOX 500 PCS/CTN <b>WPO-6008</b> P38.00	1WAY SWITCH 10A 250V 10 PCS/BOX 500 PCS/CTN <b>WPO-6008A</b> P38.00	3 WAY SWITCH 10A 250V 10 PCS/BOX 500 PCS/CTN <b>WPO-6008B</b> P46.00	UNIVERSAL OUTLET W/SHUTTER 10A 250V 10 PCS/BOX 500 PCS/CTN <b>WPO-6009</b> P38.00	ELECTRICAL OUTLET 10A 250V 10 PCS/BOX 500 PCS/CTN <b>WPO-6009A</b> P38.00
				
ELECTRICAL OUTLET W/GROUND 10A 250V 10 PCS/BOX 500 PCS/CTN <b>WPO-6009B</b> P52.50	UNIVERSAL OUTLET W/GROUND 10A 250V 10 PCS/BOX 400 PCS/CTN <b>WPO-616</b> P65.00	2 GANG UNIVERSAL OUTLET W/GROUND 10A 250V 30 PCS/BOX 300 PCS/CTN <b>WPO-6009C</b> P157.00	TV CABLE OUTLET 10A 250V 10 PCS/BOX 500 PCS/CTN <b>WTV-101</b> P50.00	COMPUTER MODULAR OUTLET 10A 250V 10 PCS/BOX 500 PCS/CTN <b>WPO-201</b> P135.00
				
TELEPHONE OUTLET 10A 250V 10 PCS/BOX 500 PCS/CTN <b>WPO-202</b> P53.00	BELL PUSH BUTTON 10A 250V 10 PCS/BOX 500 PCS/CTN <b>WPO-203</b> P53.00	DIMMER SWITCH 10A 250V 10 PCS/BOX 500 PCS/CTN <b>WPO-204</b> P170.00		

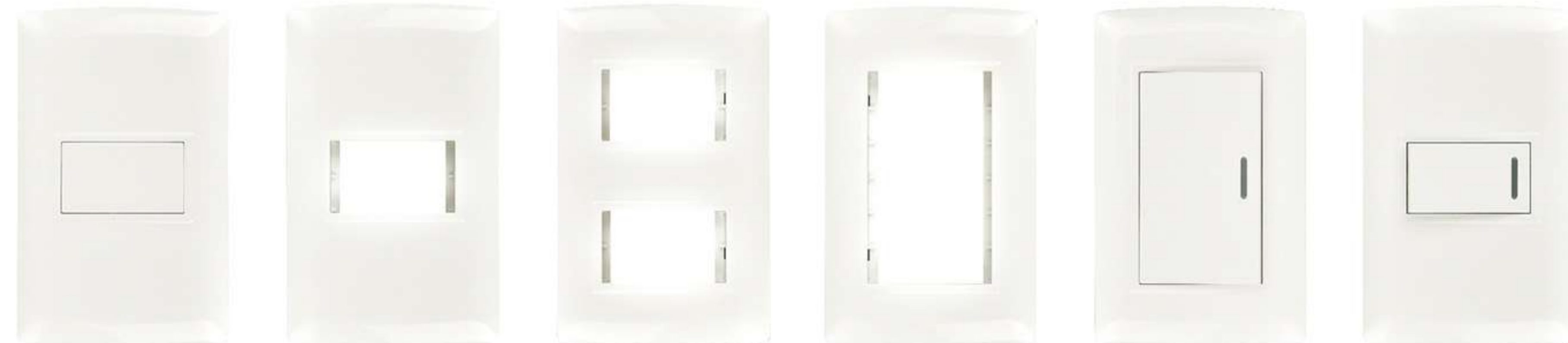


# WALL SWITCH & OUTLET FUNCTIONAL MODULE WIDE SERIES

					
BLANK PANEL PLATE 10A 250V 10 PCS/BOX 200 PCS/CTN <b>EWO-200</b> P30.00	1 GANG PLATE 10A 250V 10 PCS/BOX 200 PCS/CTN <b>EWO-201</b> P26.00	2 GANG PLATE 10A 250V 10 PCS/BOX 200 PCS/CTN <b>EWO-202</b> P26.00	3 GANG PLATE 10A 250V 10 PCS/BOX 200 PCS/CTN <b>EWO-203</b> P26.00	1 GANG PLATE 10A 250V 10 PCS/BOX 200 PCS/CTN <b>EWO-212</b> P26.00	1 WAY SWITCH 1 GANG 10A 250V 10 PCS/BOX 100 PCS/CTN <b>EO-601</b> P67.00
					
1 WAY SWITCH 1 GANG 10A 250V 10 PCS/BOX 100 PCS/CTN <b>EO-601A</b> P67.00	1WAY SWITCH 2 GANG 10A 250V 10 PCS/BOX 100 PCS/CTN <b>EO-603</b> P108.00	1WAY SWITCH 2 GANG 10A 250V 10 PCS/BOX 100 PCS/CTN <b>EO-603A</b> P108.00	1 WAY SWITCH 3 GANG 10A 250V 10 PCS/BOX 100 PCS/CTN <b>EO-605</b> P149.00	COMBINED SWITCH OUTLET 2 GANG 10A 250V 10 PCS/BOX 100 PCS/CTN <b>EO-611</b> P108.00	1GANG OUTLET 10A 250V 10 PCS/BOX 100 PCS/CTN <b>EO-211</b> P67.00
					
2 GANG OUTLET 10A 250V 10 PCS/BOX 100 PCS/CTN <b>EO-213</b> P108.00	3 GANG OUTLET 10A 250V 10 PCS/BOX 100 PCS/CTN <b>EO-215</b> P149.00	1 GANG CONVENIENCE OUTLET 10A 250V 10 PCS/BOX 100 PCS/CTN <b>EO-205</b> P82.00	2 GANG CONVENIENCE OUTLET 10A 250V 10 PCS/BOX 100 PCS/CTN <b>EO-205/2</b> P138.00	3 GANG CONVENIENCE OUTLET 10A 250V 10 PCS/BOX 100 PCS/CTN <b>EO-205/3</b> P194.00	1 GANG UNIVERSAL OUTLET W/GROUND 10A 250V 10 PCS/BOX 100 PCS/CTN <b>EO-235</b> P99.50

					
2 GANG UNIVERSAL OUTLET W/GROUND 10A 250V 10 PCS/BOX 100 PCS/CTN <b>EO-255</b> P189.50	1 GANG 10A 250V 10 PCS/BOX 100 PCS/CTN <b>EO-236</b> P105.00	2 GANG 10A 250V 10 PCS/BOX 100 PCS/CTN <b>EO-256</b> P189.50	AIRCON TANDEM OUTLET 10A 250V 10 PCS/BOX 100 PCS/CTN <b>EPO-1505</b> P104.00	1 GANG BELL PUSH BUTTON 10A 250V 10 PCS/BOX 100 PCS/CTN <b>EO-302</b> P77.00	1 GANG USB OUTLET 10A 250V 8 PCS/BOX 80 PCS/CTN <b>EO-301A</b> P296.00
					
1 GANG TELEPHONE OUTLET 10A 250V 10 PCS/BOX 100 PCS/CTN <b>EO-501</b> P101.00	1 GANG COMPUTER MODULAR OUTLET 10A 250V 10 PCS/BOX 100 PCS/CTN <b>EO-512</b> P161.00	1 GANG TV CABLE OUTLET 10A 250V 10 PCS/BOX 100 PCS/CTN <b>EO-401</b> P79.50	1 GANG DIMMER SWITCH 10A 250V 6 PCS/BOX 60 PCS/CTN <b>EO-640S</b> P194.50		
					
1 WAY SWITCH 10A 250V 10 PCS/BOX 500 PCS/CTN <b>EPO-7005</b> P41.00	3 WAY SWITCH 10A 250V 10 PCS/BOX 500 PCS/CTN <b>EPO-7005B</b> P50.00	UNIVERSAL OUTLET W/SHUTTER 10A 250V 10 PCS/BOX 500 PCS/CTN <b>EPO-7006</b> P41.00	CONVENIENCE OUTLET W/GROUND 10A 250V 10 PCS/BOX 500 PCS/CTN <b>EPO-7006B</b> P56.00	UNIVERSAL OUTLET W/GROUND 10A 250V 4 PCS/BOX 200 PCS/CTN <b>EPO-7006C</b> P72.50	1 GANG UNIVERSAL OUTLET W/GROUND 10A 250V (36MM) 6 PCS/BOX 300 PCS/CTN <b>EPO-7016</b> P66.50
					
2 GANG UNIVERSAL OUTLET W/GROUND 10A 250V 30 PCS/BOX 300 PCS/CTN <b>EPO-7006D</b> P162.50	TV CABLE OUTLET 10A 250V 10 PCS/BOX 500 PCS/CTN <b>ETV-201</b> P53.50	COMPUTER MODULAR OUTLET 10A 250V 10 PCS/BOX 500 PCS/CTN <b>EPO-301</b> P135.00	TELEPHONE OUTLET 10A 250V 10 PCS/BOX 500 PCS/CTN <b>EPO-302</b> P75.00	BELL PUSH BUTTON 10A 250V 10 PCS/BOX 500 PCS/CTN <b>EPO-303</b> P56.00	DIMMER SWITCH 10A 250V 4 PCS/BOX 200 PCS/CTN <b>EPO-304</b> P168.50

# L-SERIES



1 GANG PLATE  
10A 250V  
15 PCS/BOX  
150 PCS/CTN  
**LWC-100**  
P30.00

1 GANG PLATE  
10A 250V  
20 PCS/BOX  
100 PCS/CTN  
**LWC-301**  
P26.00

2 GANG PLATE  
10A 250V  
20 PCS/BOX  
100 PCS/CTN  
**LWC-302**  
P26.00

3 GANG PLATE  
10A 250V  
20 PCS/BOX  
100 PCS/CTN  
**LWC-303**  
P26.00

1 GANG  
1 WAY SWITCH  
10A 250V  
10 PCS/BOX  
100 PCS/CTN  
**LO-301**  
P65.00

1 GANG  
1WAY SWITCH  
10A 250V  
10 PCS/BOX  
100 PCS/CTN  
**LO-301A**  
P65.00



2 GANG  
1WAY SWITCH  
10A 250V  
10 PCS/BOX  
100 PCS/CTN  
**LO-302**  
P104.00

2 GANG  
1WAY SWITCH  
10A 250V  
10 PCS/BOX  
100 PCS/CTN  
**LO-302A**  
P104.00

3 GANG  
1WAY SWITCH  
10A 250V  
10 PCS/BOX  
100 PCS/CTN  
**LO-303**  
P143.00

1 GANG OUTLET  
10A 250V  
10 PCS/BOX  
100 PCS/CTN  
**LO-201**  
P65.00

2 GANG OUTLET  
10A 250V  
10 PCS/BOX  
100 PCS/CTN  
**LO-202**  
P104.00

3 GANG OUTLET  
10A 250V  
10 PCS/BOX  
100 PCS/CTN  
**LO-203**  
P143.00



2 GANG  
UNIVERSAL OUTLET  
10A 250V  
10 PCS/BOX  
100 PCS/CTN  
**LO-507**  
P191.00

1 GANG  
CONV OUTLET  
10A 250V  
10 PCS/BOX  
100 PCS/CTN  
**LO-207**  
P80.50

2 GANG  
CONV OUTLET  
10A 250V  
10 PCS/BOX  
100 PCS/CTN  
**LO-307**  
P185.50

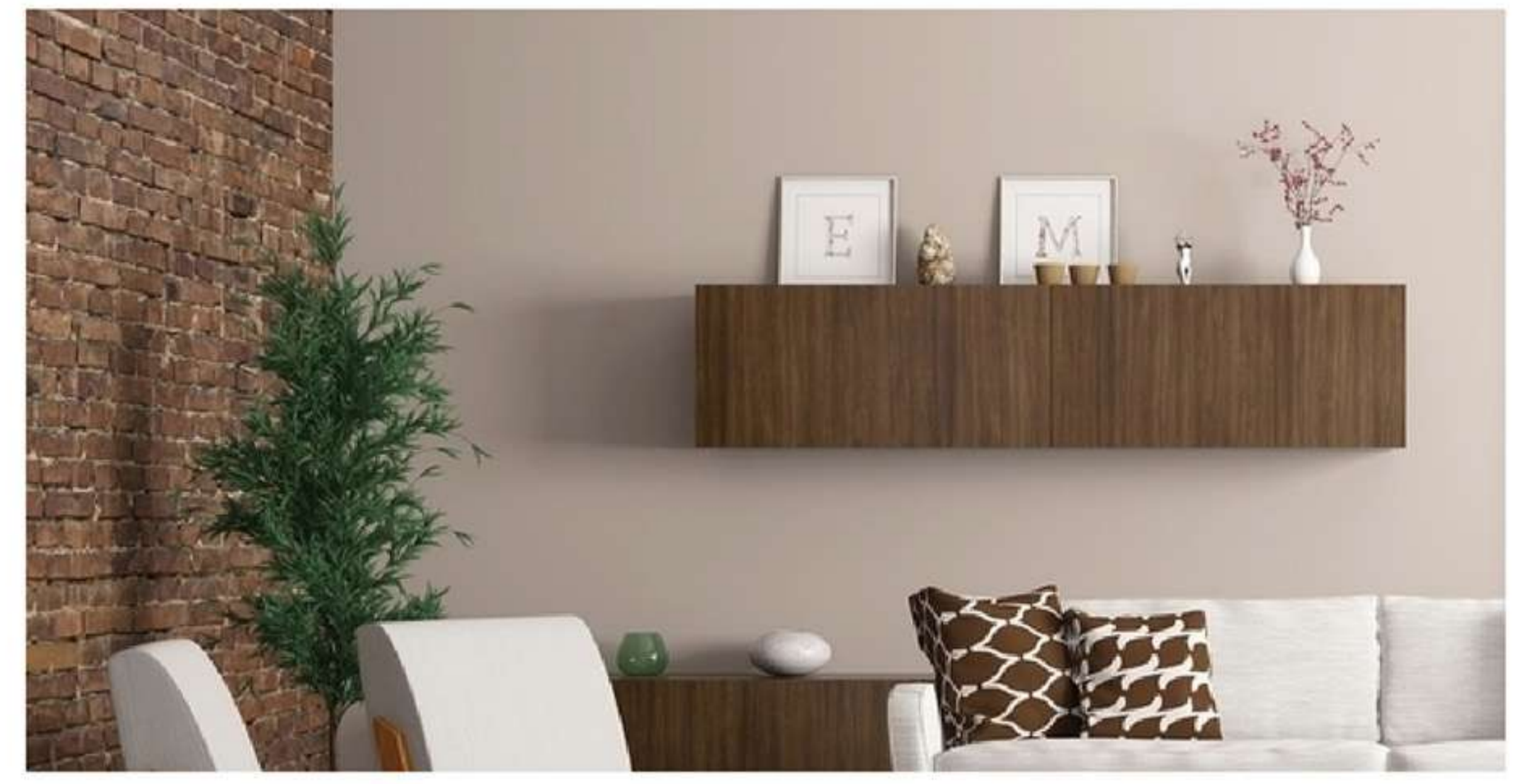
1 GANG  
BELL SWITCH  
10A 250V  
10 PCS/BOX  
100 PCS/CTN  
**LO-501**  
P78.00

1 GANG TELEPHONE  
1GANG CABLE TV OUTLET  
10A 250V  
10 PCS/BOX  
100 PCS/CTN  
**LO-508**  
P141.00

1 GANG  
COMPUTER OUTLET  
10A 250V  
10 PCS/BOX  
100 PCS/CTN  
**LO-503**  
P96.00



1 GANG  
TELEPHONE OUTLET  
10A 250V  
10 PCS/BOX  
100 PCS/CTN  
**LO-109**  
P86.00



1 WAY SWITCH  
10A 250V  
10 PCS/BOX  
500 PCS/CTN  
**LPO-8005-2**  
P39.00

1 WAY SWITCH  
10A 250V  
10 PCS/BOX  
500 PCS/CTN  
**LPO-8005-1**  
P39.00

1 WAY SWITCH  
10A 250V  
10 PCS/BOX  
500 PCS/CTN  
**LPO-8005**  
P39.00

3 WAY SWITCH  
10A 250V  
10 PCS/BOX  
500 PCS/CTN  
**LPO-8005B**  
P49.00

CONVENIENCE OUTLET  
10A 250V  
10 PCS/BOX  
500 PCS/CTN  
**LPO-8006A**  
P39.00



UNIVERSAL OUTLET  
10A 250V  
10 PCS/BOX  
500 PCS/CTN  
**LPO-8006**  
P39.00

CONVENIENCE OUTLET  
10A 250V  
10 PCS/BOX  
500 PCS/CTN  
**LPO-8006B**  
P54.50

2 GANG  
UNIVERSAL OUTLET  
10A 250V  
10 PCS/BOX  
500 PCS/CTN  
**LPO-8006B-2**  
P165.00

2 GANG USB OUTLET  
10A 250V  
4 PCS/BOX  
200 PCS/CTN  
**LPO-102**  
P270.00

BUTTON SWITCH  
10A 250V  
10 PCS/BOX  
500 PCS/CTN  
**LPO-107**  
P52.00



TELEPHONE OUTLET  
10A 250V  
10 PCS/BOX  
500 PCS/CTN  
**LPO-105**  
P60.00

COMPUTER MODULAR OUTLET  
10A 250V  
10 PCS/BOX  
500 PCS/CTN  
**LPO-106**  
P70.00

DIMMER SWITCH  
10A 250V  
4 PCS/BOX  
200 PCS/CTN  
**LPO-104**  
P170.00

TV CABLE OUTLET  
10A 250V  
10 PCS/BOX  
500 PCS/CTN  
**LTV-103**  
P55.00

BLANK FILTER  
10A 250V  
10 PCS/BOX  
500 PCS/CTN  
**LEO-001**  
P12.00

# ELECTRICAL FLOOR OUTLET



FLOOR OUTLET  
ROUND-SILVER  
10A 250V 3 GANG  
20 PCS/CTN

**WER-1**  
P1,450.00



FLOOR OUTLET  
ROUND-GOLD  
10A 250V 3 GANG  
20 PCS/CTN

**WER-3**  
P1,450.00



FLOOR OUTLET  
SQUARE-SILVER  
10A 250V 3 GANG  
20 PCS/CTN

**WER-2**  
P1,450.00



FLOOR OUTLET  
SQUARE-GOLD  
10A 250V 3 GANG  
20 PCS/CTN

**WER-4**  
P1,450.00



FLOOR OUTLET  
SQUARE-SILVER  
10A 250V 2 GANG  
20 PCS/CTN

**WER-2A**  
P1,450.00



FLOOR OUTLET  
SQUARE-GOLD  
10A 250V 2 GANG  
20 PCS/CTN

**WER-4A**  
P1,450.00



FLOOR COMPUTER  
OUTLET  
SQUARE-SILVER  
3 CAT.6 DATA  
20 PCS/CTN

**WER-5**  
P1,450.00



FLOOR COMPUTER  
OUTLET  
SQUARE-GOLD  
3 CAT.6 DATA  
20 PCS/CTN

**WER-5A**  
P1,450.00



# DECORATIVE AND PRACTICAL

LED WALL LIGHT  
LED SPIKE LIGHT

# LED WALL LIGHT



**WL160**

Watt	12W
CCT Optional	3000K
Lumen	1200LM
Voltage	100-240V 50/60HZ
CRI	≥70
IP	IP65
Beam angle	110°
Size	265 X 120 X 81 MM
P.F:	0.45
Quantity	20 PCS/CTN
Price	P1,235.00



**WL260**

Watt	6W
CCT Optional	3000K
Lumen	600LM
Voltage	100-240V 50/60HZ
CRI	≥70
IP	IP65
Beam angle	26°
Size	220 X 112 X 50 MM
P.F:	0.45
Quantity	20 PCS/CTN
Price	P760.00

# LED WALL LIGHT



**WL460A**

Watt	12W
CCT Optional	3000K
Lumen	1200LM
Voltage	100-240V 50/60HZ
CRI	≥70
IP	IP65
Beam angle	117°
Size	230 X 110 X 76 MM
P.F:	0.5
Quantity	20 PCS/CTN
Price	P785.00



**WL460B**

Watt	12W
CCT Optional	3000K
Lumen	1200LM
Voltage	100-240V 50/60HZ
CRI	≥70
IP	IP65
Beam angle	130°
Size	230 X 110 X 76 MM
P.F:	0.45
Quantity	20 PCS/CTN
Price	P785.00



**WL360**

Watt	9W
CCT Optional	3000K
Lumen	900LM
Voltage	100-240V 50/60HZ
CRI	≥70
IP	IP65
Beam angle	90°
Size	173 X 81 X 46 MM
P.F:	0.45
Quantity	50 PCS/CTN
Price	P830.00

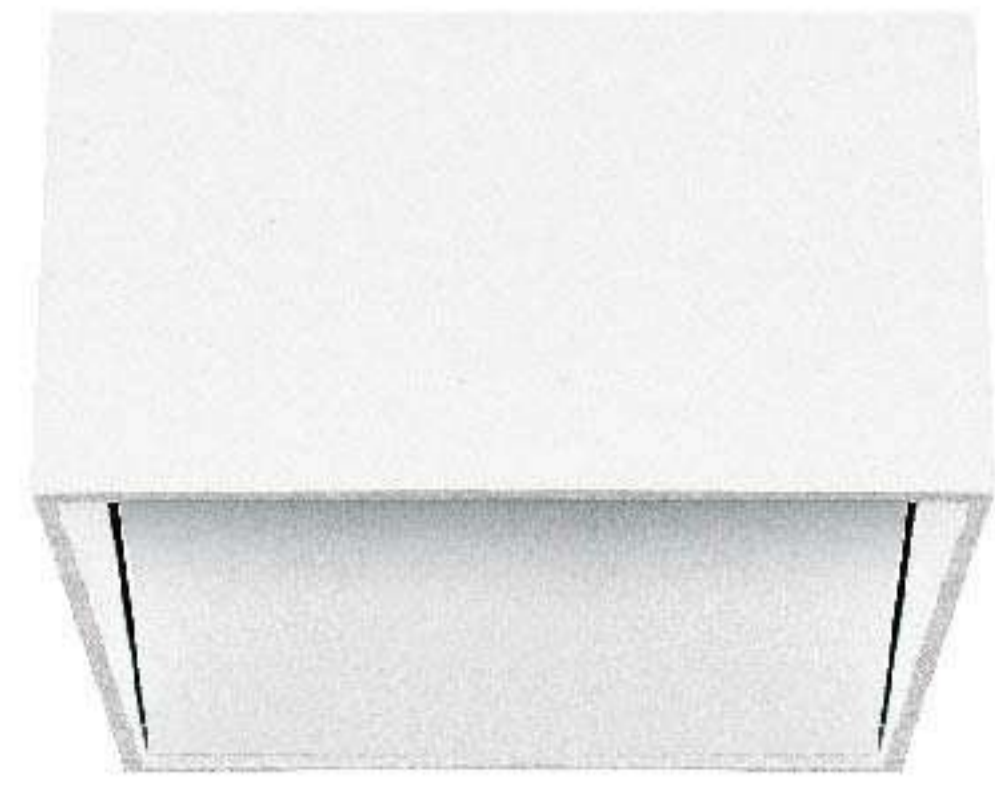


**WL460**

Watt	12W
CCT Optional	3000K
Lumen	1200LM
Voltage	100-240V 50/60HZ
CRI	≥70
IP	IP65
Beam angle	118°
Size	230 X 110 X 76 MM
P.F:	0.45
Quantity	20 PCS/CTN
Price	P790.00



## LED WALL LIGHT



**WL1210**

Watt	8W
CCT Optional	3000K
Lumen	520LM
Voltage	100-240V 50/60HZ
CRI	≥70
IP	IP20
Beam angle	140°
Size	100 X 160 X 100 MM
P.F:	0.5
Quantity	50 PCS/CTN
Price	P1,050.00



**WL0641**

Watt	8W
CCT Optional	3000K
Lumen	560LM
Voltage	100-240V 50/60HZ
CRI	≥70
IP	IP65
Beam angle	140°
Size	120 X 120 X 92 MM
P.F:	0.5
Quantity	20 PCS/CTN
Price	P660.00

## LED WALL LIGHT



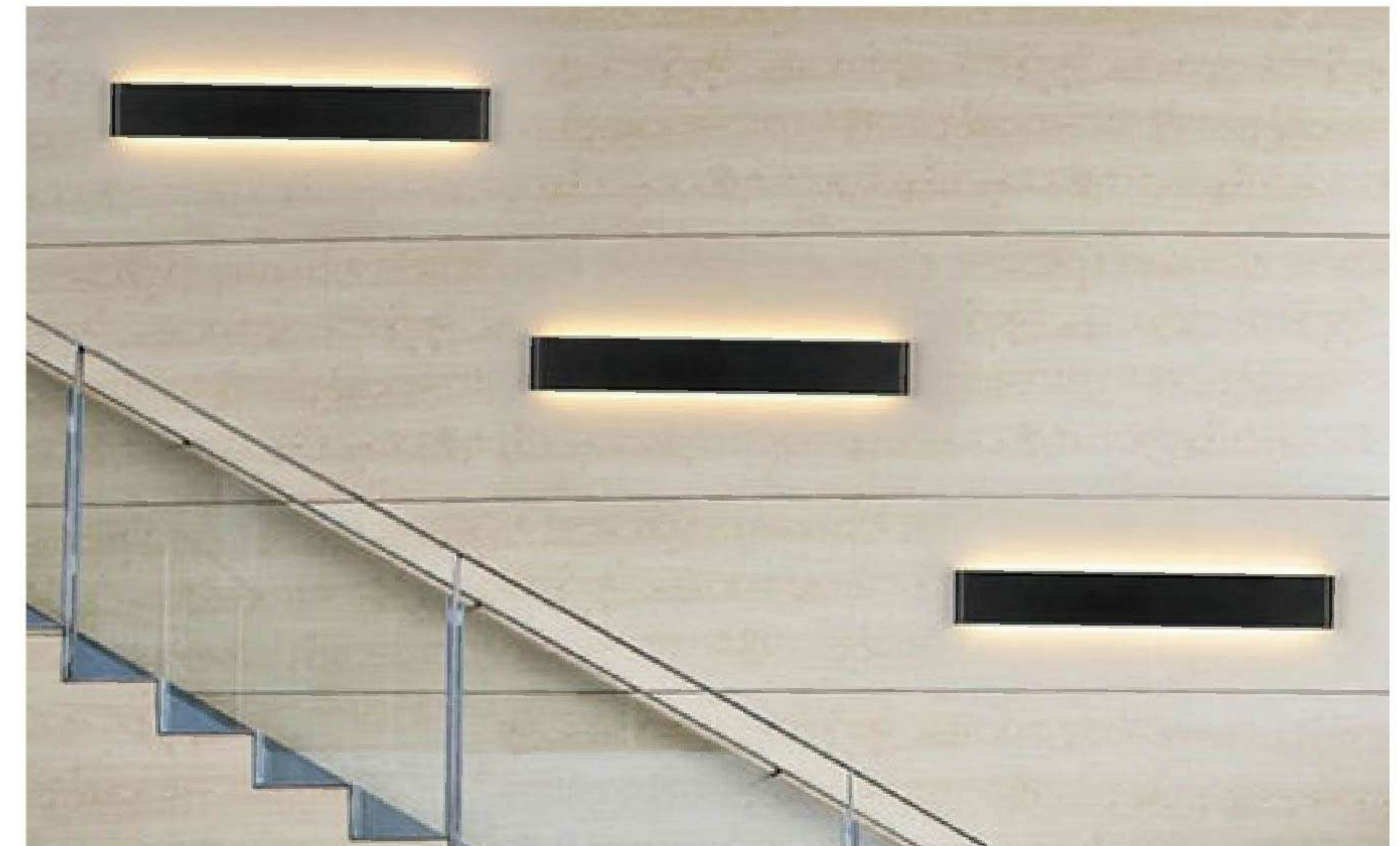
**WL1320**

Watt	8W
CCT Optional	3000K
Lumen	560LM
Voltage	100-240V 50/60HZ
CRI	≥80
IP	IP20
Beam angle	170°
Size	198 X 90 X 30 MM
P.F:	≥0.5
Quantity	40 PCS/CTN
Price	P1,250.00



**WL1330**

Watt	12W
CCT Optional	3000K
Lumen	612LM
Voltage	100-240V 50/60HZ
CRI	≥70
IP	IP20
Beam angle	166°
Size	315 X 90 X 30 MM
P.F:	≥0.5
Quantity	20 PCS/CTN
Price	P1,415.00



## LED WALL LIGHT



### WL1110

Watt	8W
CCT Optional	3000K
Lumen	320LM
Voltage	100-240V 50/60HZ
CRI	≥70
IP	IP20
Beam angle	130°
Size	100 X 62 X 108 MM
P.F:	0.5
Quantity	50 PCS/CTN
Price	P1050.00



## LED WALL LIGHT



### WL2340A

Watt	7W
CCT Optional	3000K
Lumen	546LM
Voltage	100-240V 50/60HZ
CRI	≥70
IP	IP65
Beam angle	165°
Size	Φ133 X 67 MM
P.F:	>0.5
Quantity	50 PCS/CTN
Price	P870.00



### WL2340B

Watt	7W
CCT Optional	3000K
Lumen	490LM
Voltage	100-240V 50/60HZ
CRI	≥70
IP	IP65
Beam angle	128°
Size	Φ133 X 67 MM
P.F:	>0.5
Quantity	50 PCS/CTN
Price	P895.00



### WL4460

Watt	12W
CCT Optional	3000K
Lumen	1320LM
Voltage	100-240V 50/60HZ
CRI	≥80
IP	IP65
Beam angle	100°
Size	Ø160 X 60 MM
P.F:	>0.5
Quantity	50 PCS/CTN
Price	P660.00



## LED WALL LIGHT



**WL2440A**

Watt	7W
CCT Optional	3000K
Lumen	546LM
Voltage	100-240V 50/60HZ
CRI	≥70
IP	IP65
Beam angle	165°
Size	Φ133 X 67 MM
P.F:	>0.5
Quantity	20 PCS/CTN
Price	P870.00



**WL2440B**

Watt	7W
CCT Optional	3000K
Lumen	490LM
Voltage	100-240V 50/60HZ
CRI	≥70
IP	IP65
Beam angle	128°
Size	133 X 133 X 67 MM
P.F:	>0.5
Quantity	50 PCS/CTN
Price	P895.00

## LED WALL LIGHT



**WL2360**

Watt	12W
CCT Optional	3000K
Lumen	936LM
Voltage	100-240V 50/60HZ
CRI	≥70
IP	IP65
Beam angle	165°
Size	Φ169 X 100 MM
P.F:	>0.5
Quantity	20 PCS/CTN
Price	P1,250.00



**WL2360A**

Watt	12W
CCT Optional	3000K
Lumen	912LM
Voltage	100-240V 50/60HZ
CRI	≥70
IP	IP65
Beam angle	128°
Size	Φ169 X 100 MM
P.F:	>0.5
Quantity	20 PCS/CTN
Price	P1,280.00



**WL2460**

Watt	12W
CCT Optional	3000K
Lumen	936LM
Voltage	100-240V 50/60HZ
CRI	≥70
IP	IP65
Beam angle	165°
Size	Φ169 X 100 MM
P.F:	>0.5
Quantity	20 PCS/CTN
Price	P1,250.00



**WL2460A**

Watt	12W
CCT Optional	3000K
Lumen	912LM
Voltage	100-240V 50/60HZ
CRI	≥70
IP	IP65
Beam angle	128°
Size	Φ169 X 100 MM
P.F:	>0.5
Quantity	20 PCS/CTN
Price	P1,280.00

# LED WALL LIGHT



**WL2720A**

Watt	10W
CCT Optional	3000K
Lumen	150LM
Voltage	100-240V 50/60HZ
CRI	≥80
IP	IP65
Beam angle	60°
Size	120 X 42 X 32 MM
P.F:	>0.5
Quantity	50 PCS/CTN
Price	P440.00

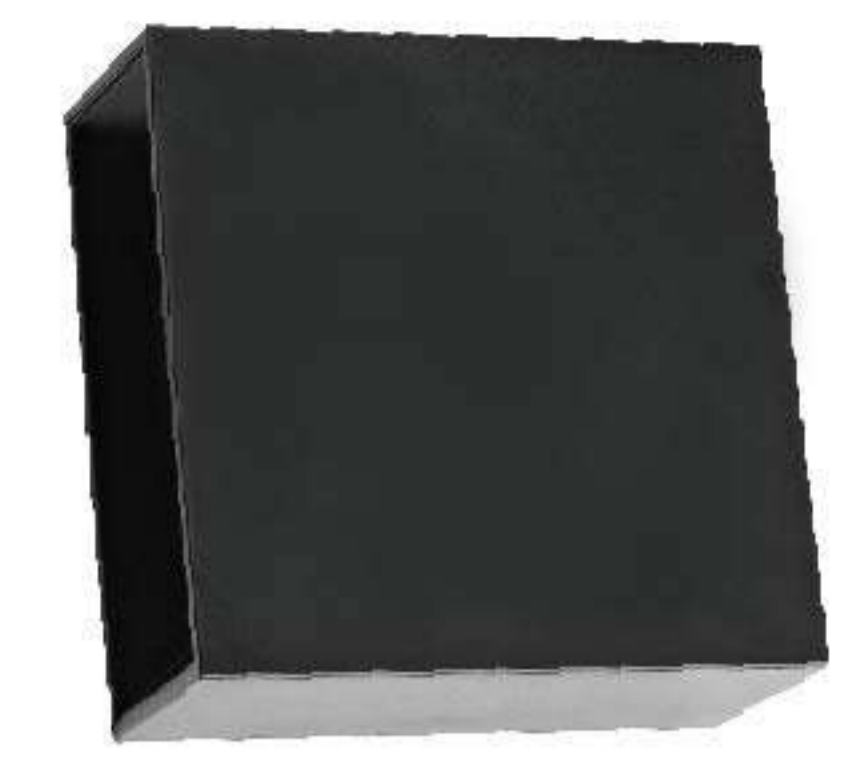


# LED WALL LIGHT



**WL2720C**

Watt	4W
CCT Optional	3000K
Lumen	128LM
Voltage	100-240V 50/60HZ
CRI	≥70
IP	IP65
Beam angle	40°
Size	83X 123 X 30 MM
P.F:	>0.45
Quantity	50 PCS/CTN
Price	P485.00



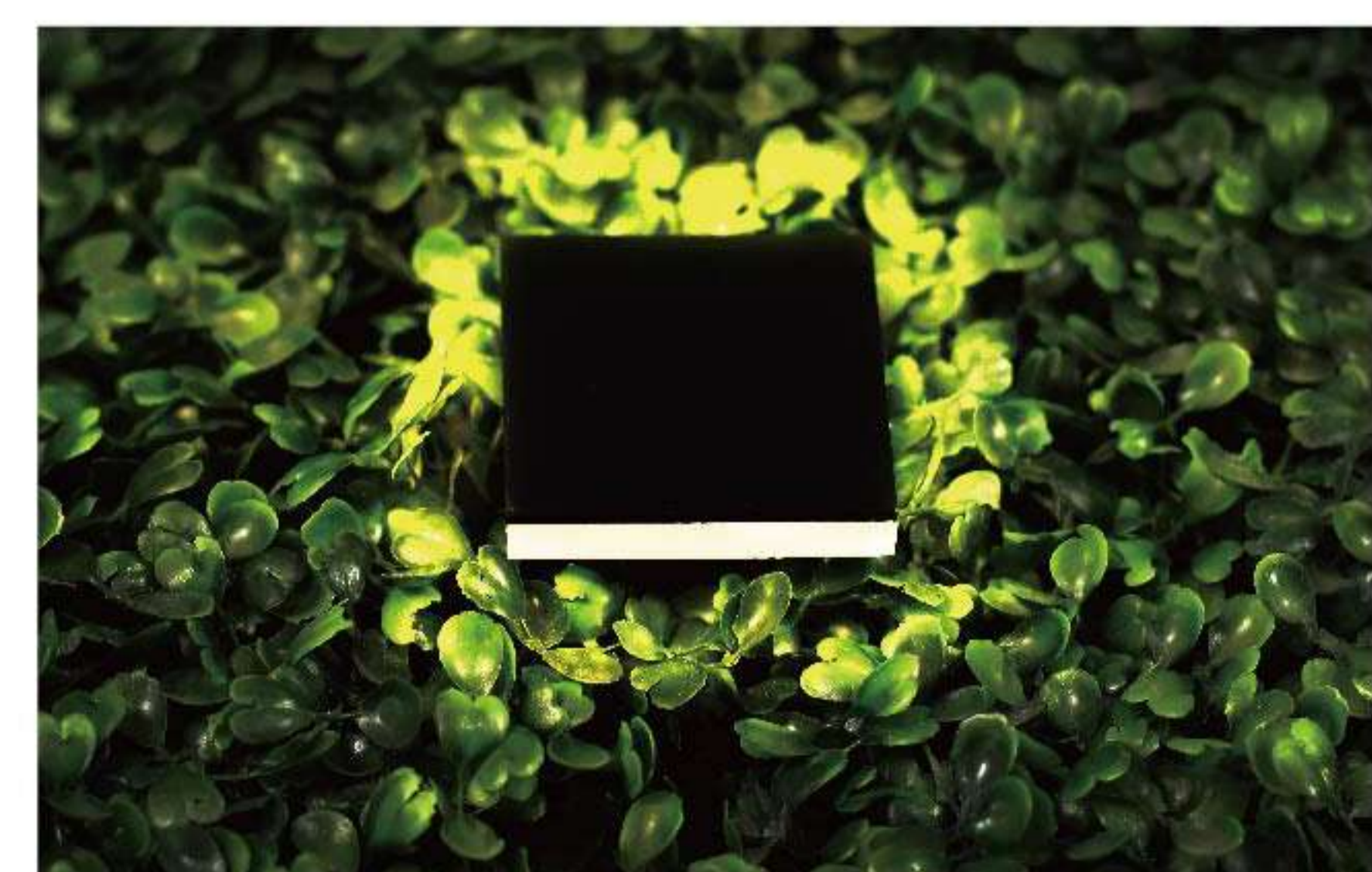
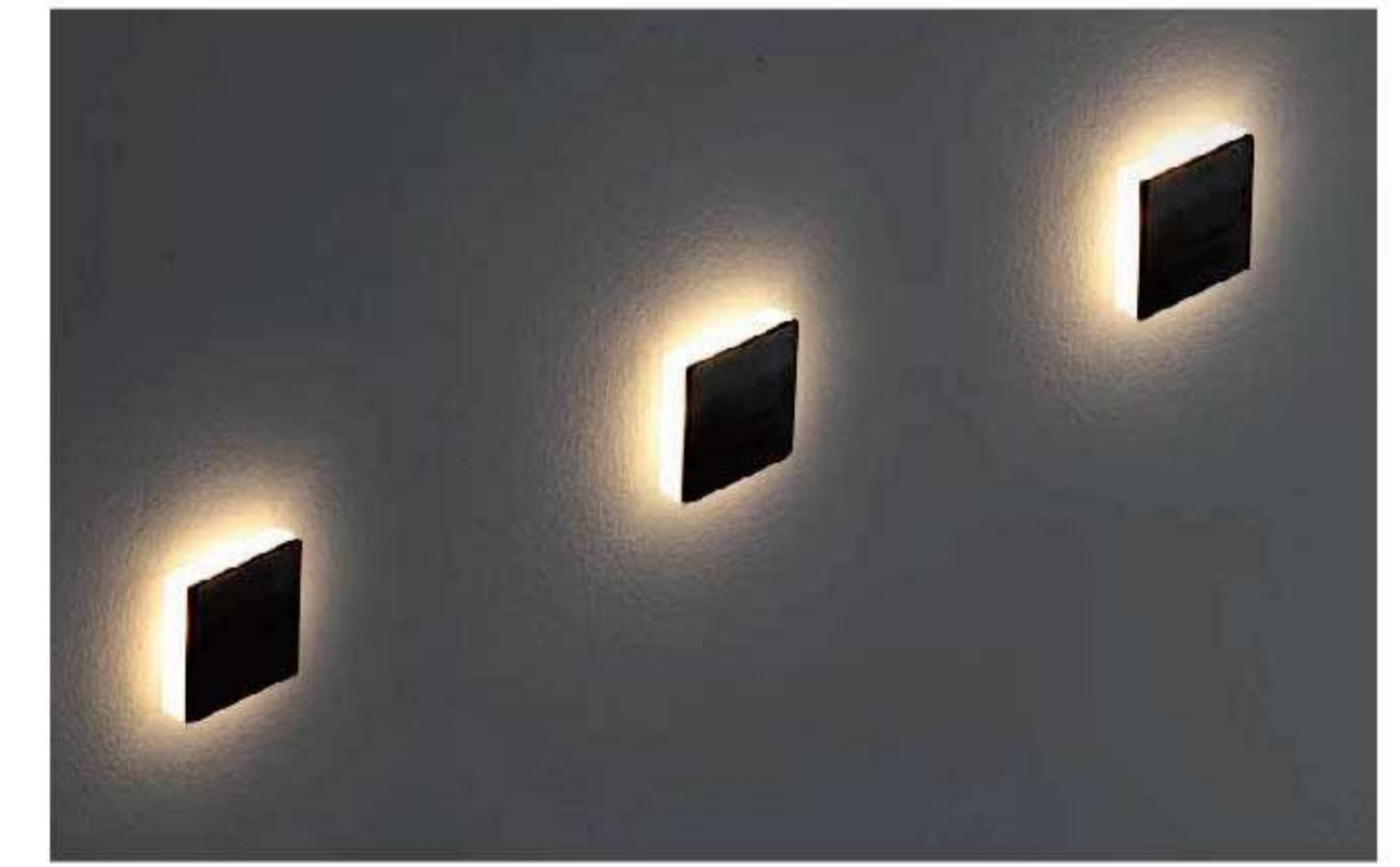
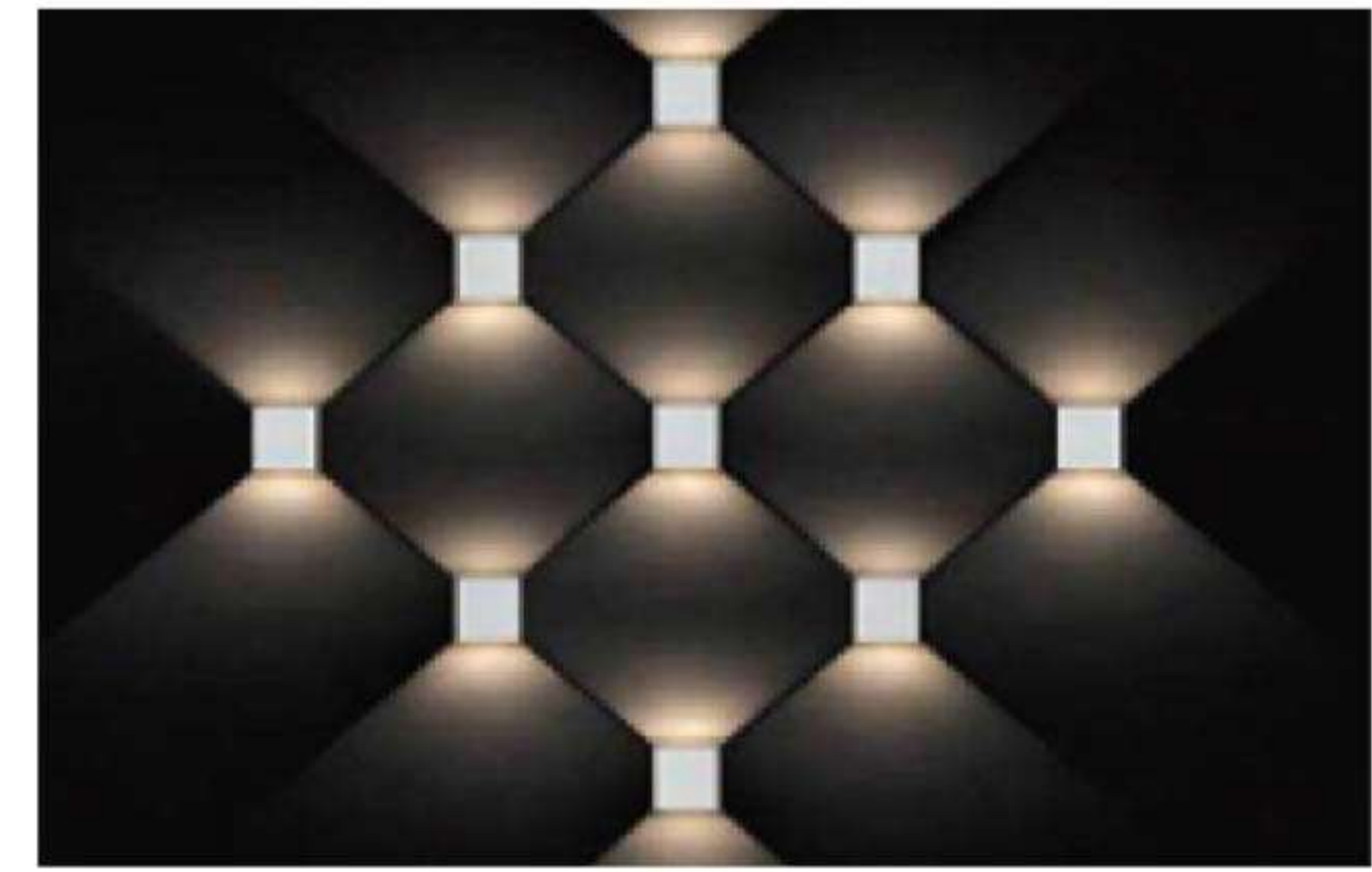
**WL3450**

Watt	4W
CCT Optional	3000K
Lumen	260LM
Voltage	100-240V 50/60HZ
CRI	≥80
IP	IP65
Beam angle	0°~75°
Size	120 X 120 X 52 MM
P.F:	>0.45
Quantity	50 PCS/CTN
Price	P650.00



**WL2720B**

Watt	10W
CCT Optional	3000K
Lumen	150LM
Voltage	100-240V 50/60HZ
CRI	≥80
IP	IP65
Beam angle	60°
Size	120 X 42 X 32 MM
P.F:	>0.5
Quantity	50 PCS/CTN
Price	P440.00





## LED WALL LIGHT



### WL2760

Watt	8W
CCT Optional	3000K
Lumen	560LM
Voltage	100-240V 50/60HZ
CRI	≥80
IP	IP65
Beam angle	120°
Size	200 X 100 X 31 MM
P.F:	>0.5
Quantity	50 PCS/CTN
Price	P840.00



### WL2780

Watt	12W
CCT Optional	3000K
Lumen	780LM
Voltage	100-240V 50/60HZ
CRI	≥80
IP	IP65
Beam angle	120°
Size	300 X 100 X 31 MM
P.F:	>0.5
Quantity	50 PCS/CTN
Price	P1,040.00

## LED WALL LIGHT



### WL3530A

Watt	5W
CCT Optional	3000
Lumen	325LM
Voltage	100-240V 50/60HZ
CRI	≥80
IP	IP65
Beam angle	120°
Size	162 X 102 X 57 MM
P.F:	0.5
Quantity	50 PCS/CTN
Price	P330.00



### WL3530B

Watt	10W
CCT Optional	3000K
Lumen	750LM
Voltage	100-240V 50/60HZ
CRI	≥80
IP	IP65
Beam angle	120°
Size	162 X 102 X 75 MM
P.F:	0.5
Quantity	50 PCS/CTN
Price	P350.00



## LED STEP LIGHT



### SL1111

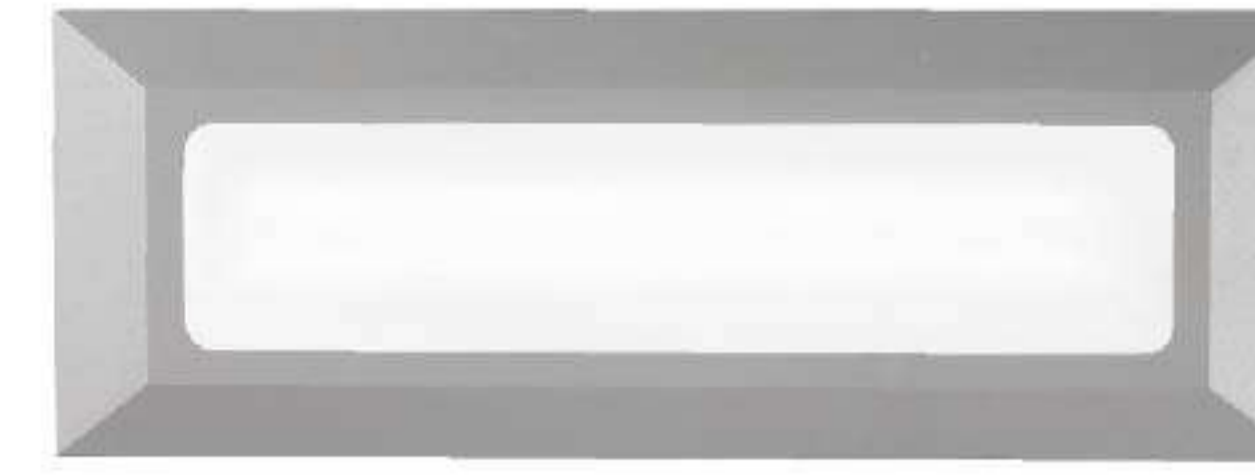
Watt	1W
CCT Optional	3000K
Lumen	100LM
Voltage	100-240V 50/60HZ
CRI	≥80
IP	IP65
Beam angle	75°
Size	70 X 50 X 12 MM
P.F:	>0.45
Quantity	50 PCS/CTN
Price	P280.00



### SL1112

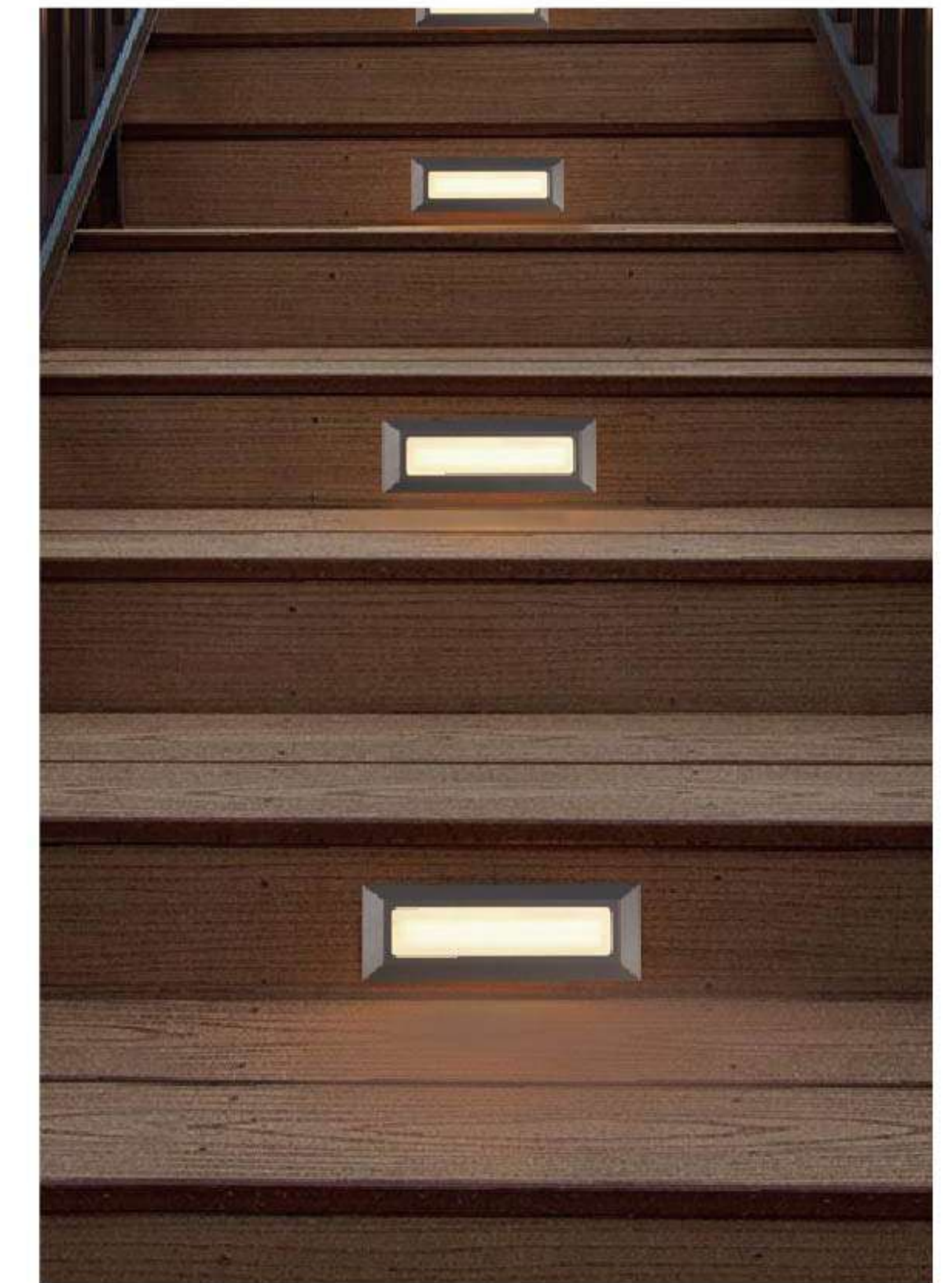
Watt	2W
CCT Optional	3000K
Lumen	200LM
Voltage	100-240V 50/60HZ
CRI	≥80
IP	IP20
Beam angle	75°
Size	90 X 12 X 120 MM
P.F:	>0.45
Quantity	50 PCS/CTN
Price	P350.00

## LED STEP LIGHT



### SL1532

Watt	5W
CCT Optional	3000K
Lumen	500LM
Voltage	100-240V 50/60HZ
CRI	≥70
IP	IP65
Beam angle	110°
Size	230 X 80 X 28 MM
P.F:	0.45
Quantity	50 PCS/CTN
Price	P800.00

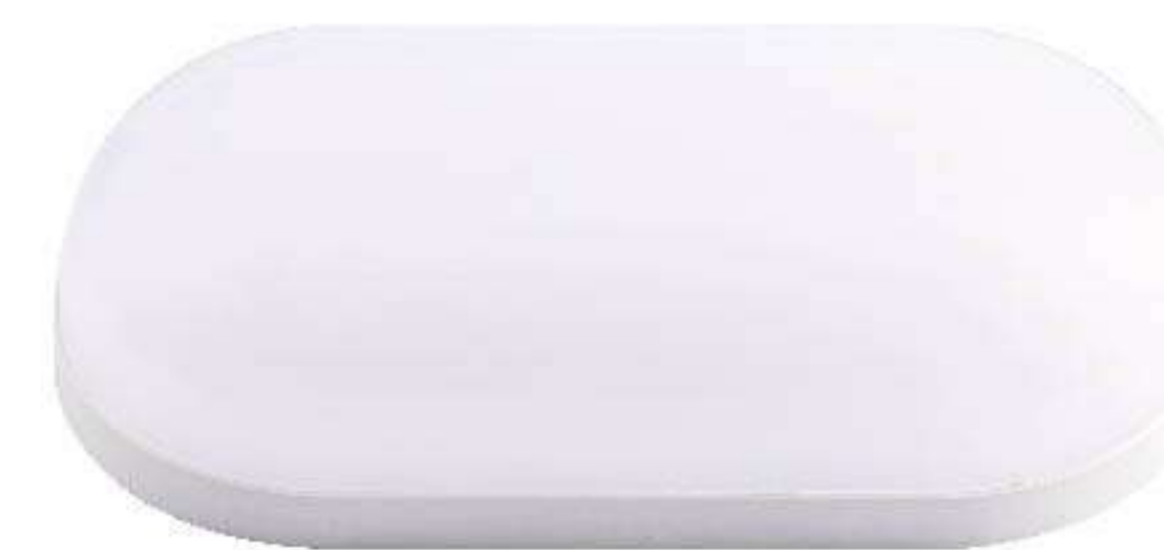


### SL1114

Watt	3W
CCT Optional	3000K
Lumen	114LM
Voltage	100-240V 50/60HZ
CRI	≥80
IP	IP65
Beam angle	24°
Size	120 X 90 X 12 MM
P.F:	>0.45
Quantity	50 PCS/CTN
Price	P385.00



## LED BULKHEAD LIGHT



### LBK130

Watt	8W
CCT Optional	6500K
Lumen	560LM
Voltage	100-240V 50/60HZ
CRI	≥70
IP	IP65
Beam angle	120°
Size	163 X 73 X 41 MM
P.F:	>0.5
Quantity	50 PCS/CTN
Price	P265.00



### LBK140

Watt	15W
CCT Optional	6500K
Lumen	1200LM
Voltage	100-240V 50/60HZ
CRI	≥70
IP	IP65
Beam angle	120°
Size	200 X 100 X 48 MM
P.F:	>0.5
Quantity	50 PCS/CTN
Price	P375.00

## SPOT LIGHT FIXTURE



**SLF127A**

**MODE:GU10**

Voltage	100-240V 50/60HZ
IP	IP65
Size	72 X 80 X 95 MM
Quantity	50 PCS/CTN
Price	P350.00



## SPOT LIGHT FIXTURE



**SLF127C**

**MODE:GU10**

Voltage	100-240V 50/60HZ
IP	IP65
Size	72 X 150 X 95 MM
Quantity	50 PCS/CTN
Price	P520.00



**SLF127B**

**MODE:GU10**

Voltage	100-240V 50/60HZ
IP	IP65
Size	72 X 80 X 95 MM
Quantity	50 PCS/CTN
Price	P350.00



**SLF127D**

**MODE:GU10**

Voltage	100-240V 50/60HZ
IP	IP65
Size	72 X 150 X 95 MM
Quantity	50 PCS/CTN
Price	P520.00

## LED SPIKE LIGHT



**SL110A**

Watt	5W
CCT Optional	3000K
Lumen	350LM
Voltage	100-240V 50/60HZ
CRI	≥80
IP	IP65
Beam angle	30°
Size	160 X 80 X Ø50 MM
P.F:	>0.5
Quantity	50 PCS/CTN
Price	P250.00



**SL110B**

Watt	7W
CCT Optional	3000K
Lumen	490LM
Voltage	100-240V 50/60HZ
CRI	≥80
IP	IP65
Beam angle	30°
Size	160 X 80 X Ø50 MM
P.F:	≥0.5
Quantity	50 PCS/CTN
Price	P265.00

## LED SPIKE LIGHT



**SL110C**

Watt	5W
CCT Optional	3000K
Lumen	350LM
Voltage	100-240V 50/60HZ
CRI	≥80
IP	IP65
Beam angle	30°
Size	108 X 80 X 50 MM
P.F:	≥0.5
Quantity	50 PCS/CTN
Price	P250.00



**SL110D**

Watt	7W
CCT Optional	3000K
Lumen	490LM
Voltage	100-240V 50/60HZ
CRI	≥80
IP	IP65
Beam angle	30°
Size	108 X 80 X 50 MM
P.F:	≥0.5
Quantity	50 PCS/CTN
Price	P265.00



**SL112A**

Watt	5W
CCT Optional	3000K
Lumen	250LM
Voltage	100-240V 50/60HZ
CRI	≥80
IP	IP65
Beam angle	50°
Size	346 X 60 MM
P.F:	≥0.45
Quantity	50 PCS/CTN
Price	P360.00



**SL112B**

Watt	7W
CCT Optional	3000K
Lumen	350LM
Voltage	100-240V 50/60HZ
CRI	≥80
IP	IP65
Beam angle	55°
Size	346 X 60 MM
P.F:	>0.5
Quantity	50 PCS/CTN
Price	P420.00

## LED SPIKE LIGHT



**SL120C**

**MODE:GU10**

Voltage	100-240V 50/60HZ
CRI	≥80
IP	IP65
Size	232 X 29 X 145 MM
Quantity	50 PCS/CTN
Price	P250.00



**SL230**

Watt	5W
CCT Optional	3000K
Lumen	410LM
Voltage	100-240V 50/60HZ
CRI	≥80
IP	IP65
Beam angle	70°
Size	50.7 X 50.7 X 207 MM
P.F:	≥0.5
Quantity	50 PCS/CTN
Price	P275.00

## LED SPIKE LIGHT



**SL1911**



Watt	1W
CCT Optional	3000K
Lumen	38LM
Voltage	100-240V 50/60HZ
CRI	≥60
IP	IP65
Beam angle	—
Size	150 X 140 X 280 MM
P.F:	—
Quantity	50 PCS/CTN
Price	P735.00



**SL230B**

Watt	5W
CCT Optional	3000K
Lumen	410LM
Voltage	100-240V 50/60HZ
CRI	≥80
IP	IP65
Beam angle	70°
Size	53 X 53 X 133 MM
P.F:	≥0.5
Quantity	50 PCS/CTN
Price	P280.00



## LED WALL LIGHT



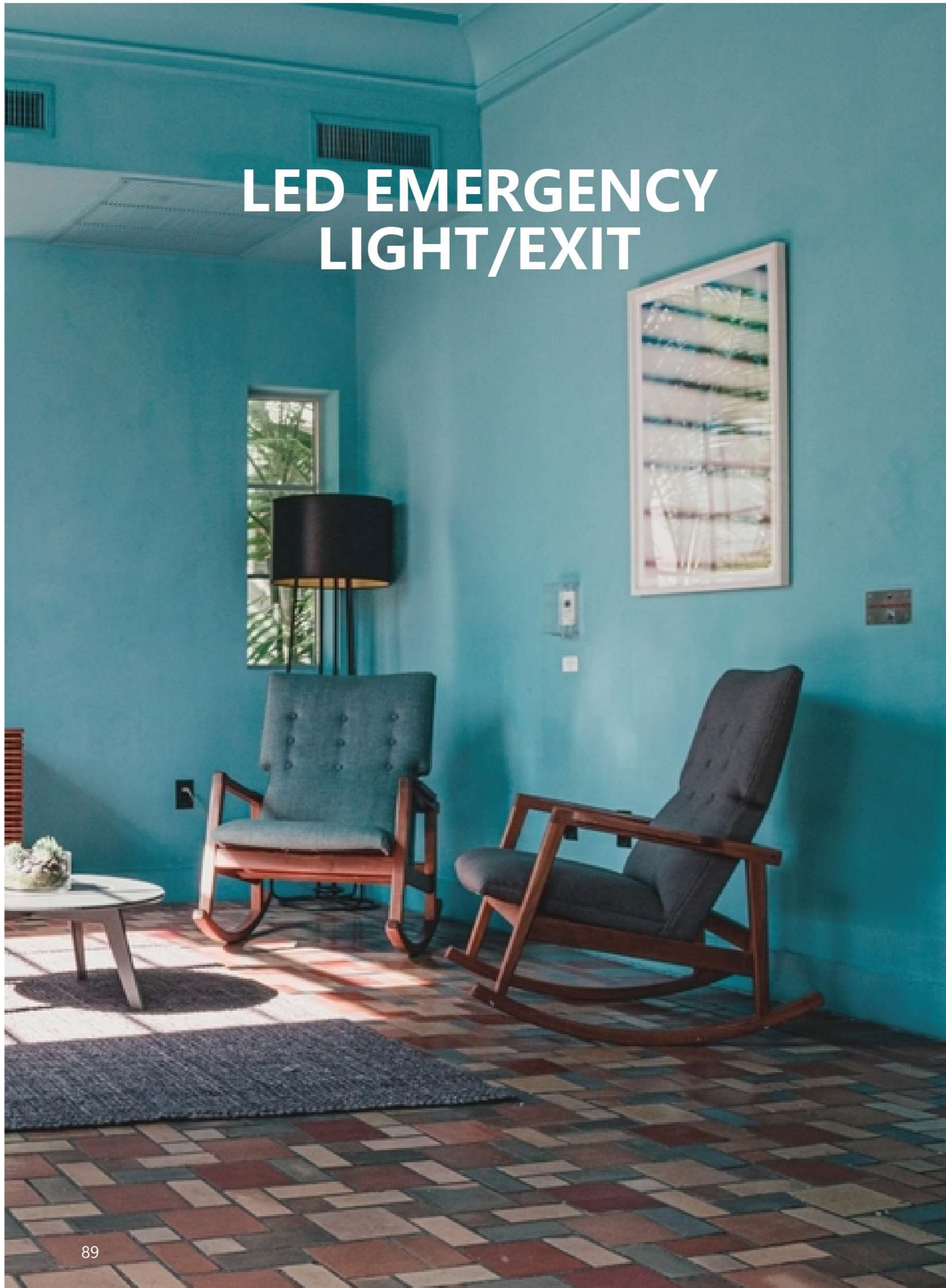
**WL1907**



Watt	1W
CCT Optional	3000K
Lumen	60LM
Voltage	100-240V 50/60HZ
CRI	≥80
IP	IP44
Beam angle	80°
Size	236 X 85 MM
P.F:	—
Quantity	50 PCS/CTN
Price	P990.00



# LED EMERGENCY LIGHT/EXIT

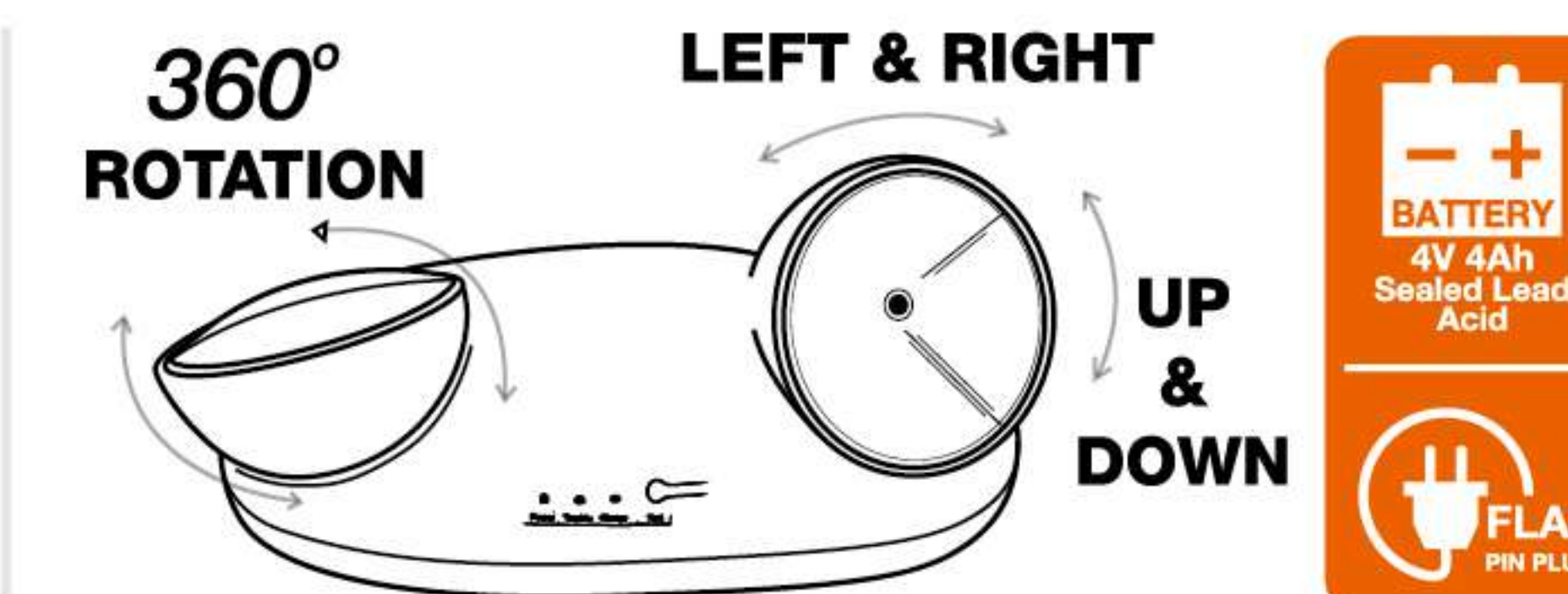


## LED RECHARGEABLE EMERGENCY LIGHT



**2 X 1 Watts LED BULB**  
**Emergency time:**  
 6 hours for double head  
**Charging time: 24 hrs**  
**20 PCS/CTN**  
**P998.00**

**N 577**  
 UP TO HOURS  
 OPERATING TIME **6**



## N 950 LED WALL MOUNTED

**Light source: 5W X 2PCS**  
**Battery: 6V 4Ah**  
**10 PCS/CTN**  
**P1,200.00**



## N 955 LED WALL MOUNTED

**Light source: 2.4W X 12PCS**  
**LED SUPER BRIGHTBUILT-IN**  
**Battery: 4V 2000MAh**  
**10 PCS/CTN**  
**P858.00**



## RECESSED TYPE LED EMERGENCY DISC



Model	Voltage	Power	Charging time	Dimensions	Cut-out size	Quantity	Duration time	Price
OED	AC220V~240V	2W/5W	24Hrs	Φ143mm x 25mm	Φ73mm	10 PCS/CTN	2Hrs	P1,158.00

## WALL MOUNTED OR PORTABLE RECHARGEABLE EMERGENCY LIGHT UP TO 30 HOURS

- 2 x 0.5 Watts LED BULB
- Charging time: 24 hrs
- With on-off switch for each lamp
- With test switch
- With battery indicator
- Emergency time:
  - 15 hrs for double head
  - 30 hrs for single head

**E 3001**

20 PCS/CTN

P480.00



**E 5229**

10 PCS/CTN

P1,155.00



**E 5039**

10 PCS/CTN

P998.00

## EXIT LIGHT

- ⚙️ LED LIGHTS
- ⚙️ 0.7W POWER
- ⌚ 2 HOURS OPERATING TIME
- ⌚ 24 HOURS CHARGING TIME
- 🔋 1.2V 300mAh
- 🔄 SINGLE OR DOUBLE SIDED



**EX-01**

20 PCS/CTN  
P380.00



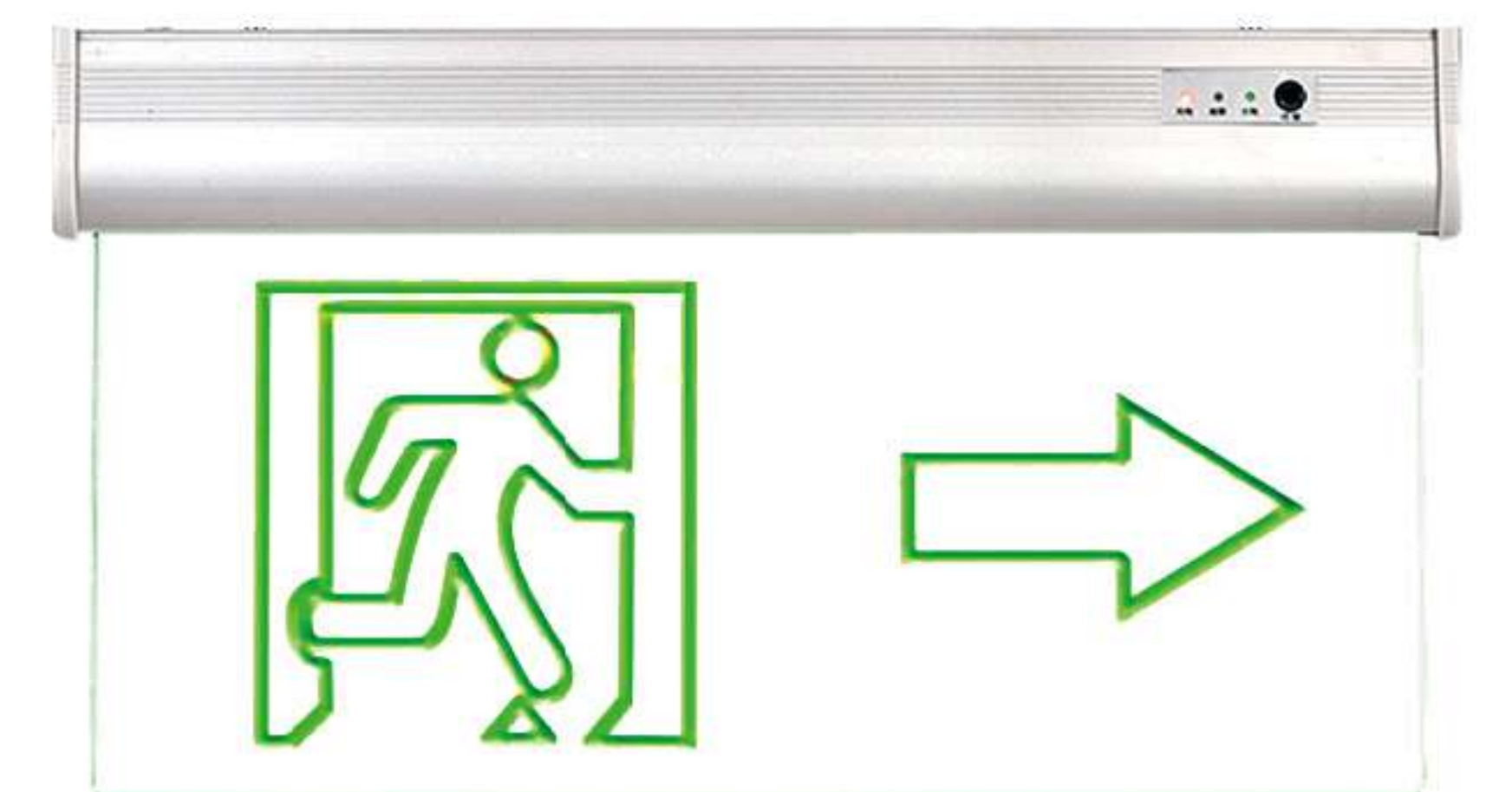
**CX-01**

10 PCS/CTN  
P690.00



**EX-02**

20 PCS/CTN  
P380.00



**CX-02**

10 PCS/CTN  
P690.00



**EX-03**

20 PCS/CTN  
P380.00



**CX-03**

10 PCS/CTN  
P690.00

## INDUSTRIAL ALARM BELL HIGH INTENSITY SOUND FIRE ALARM BELL

Description	Size	Voltage	Quantity	Price
AB-04 100MM	4"	AC220-240V	30 PCS/CTN	P308.00
AB-06 150MM	6"	AC220-240V	24 PCS/CTN	P570.00
AB-08 200MM	8"	AC220-240V	10 PCS/CTN	P825.00
AB-10 250MM	10"	AC220-240V	10 PCS/CTN	P1,000.00
AB-12 300MM	12"	AC220-240V	7 PCS/CTN	P1,300.00
FB-04 100MM	4"	24V	30 PCS/CTN	P308.00
FB-06 150MM	6"	24V	20 PCS/CTN	P570.00



## INDEPENDENT SMOKE DETECTOR

**JGN-301A P410.00**

- Operating current:  $\leq 5\mu\text{A}$
- Alarm current:  $\leq 7\mu\text{A}$
- Alarm sound: 3 meters  $\geq 80$  db
- Protection area: 60m<sup>2</sup>-100m<sup>2</sup>
- Product size:  $\Phi 105 \times 54$  (including base)
- Mounting hole spacing: 60mm
- Product weight: 135g (including battery)
- Quantity: 60 pcs/ctn



## CONVENTIONAL SMOKE DETECTOR

**YT-102 P670.00**

- Operating Voltage Range: 9 to 28 VDC Volts Non-polarized
- Standby Current:  $\leq 60\mu\text{A}@24\text{VDC}$
- Maximum Alarm Current:  $\leq 30\text{mA}@24\text{VDC}$   
(1K Ohm current-limiting resistance)
- Operating Temperature Range:  $-10^{\circ}\text{C}$  to  $50^{\circ}\text{C}$  ( $14^{\circ}\text{F}$  to  $122^{\circ}\text{F}$ )
- Smoke Alarm Sensitivity: 0.15-0.3dB/m
- Temperature Alarm Class: A2R,  $57^{\circ}\text{C}$  ( $135^{\circ}\text{F}$ )
- Height: 55mm installed in Base
- Diameter: 103 mm
- Weight: 155g
- Quantity: 60pcs/ctn



## MANUAL ALARM BUTTON FIRE SWITCH

**DAL-2 P250.00**

Features: High Intensity Sound  
Voltage: 220v  
Frequency: 60 Hz

**EASY TO OPERATE SIMPLE STRUCTURE**

- Monitoring current:  $< 240\text{mA}$
- Alarm current:  $< 2\text{mA}$
- Wiring requirements: Signal bus BV line  $\geq 1.0\text{mm}$
- Telephone communication line: RVS,  $\geq 1.5\text{mm}^2$
- Quantity: 100pcs/ctn



## CONVENTIONAL MANUAL CALL POINT

The conventional manual call point designed for conventional fire alarm system for reporting fire or emergency condition by its PUSH IN/PULL DOWN handle latches. It is only used with conventional fire alarm control panel.

**MCF007 P1,180.00**

- Operating Voltage Range: 9 to 28VDC Volts
- Maximum Alarm Current (LED on):  $\leq 50\text{mA}$  @ 24VDC
- Alarm Resistance: 470ohm/1W
- Operating Humidity Range: 10% to 93% Relative Humidity, Non-condensing
- Operating Temperature Range:  $-10^{\circ}\text{C}$  to  $50^{\circ}\text{C}$  ( $14^{\circ}\text{F}$  to  $122^{\circ}\text{F}$ )
- Dimensions: Length 140mm, Width 105mm, Depth 45mm
- Weight: Net Weight 220g
- Quantity: 50pcs/ctn



## CONVENTIONAL SOUNDER STROBE

The Sounder strobe is a kind of audible and visual alarm device installed in field, which can be activated by fire alarm control panel in fire control center or by manual call point installed in field. After activated, it will generate strong audible/audible and visual alarm signal to warn people in field. Three kind of sounds are optional.

**MCF008 P885.00**

- Working voltage: 9VDC-30VDC
- Alarm Current:  $\leq 50\text{mA}$ .
- Ambient temperature:  $-10^{\circ}\text{C} \sim +55^{\circ}\text{C}$
- Ambient humidity:  $\leq 95\% \text{RH}$
- Sound level of alarm:  $\geq 100\text{dB}$
- Flash Intensity:  $\geq 75\text{CD}$
- Dimensions: 133mmX115mmX50mm(LxWxD(With base))
- Quantity: 60pcs/ctn
- Flash Period:  $\leq 1\text{S}$
- Life of flash light:  $> 40000$ times
- Weight: 141g





# CONVENTIONAL FIRE ALARM CONTROL PANEL

- 2,4,8,16 Class B Initiating Device Circuits (IDCS).
- All zones accept conventional detectors and any normally open contact device.
- 1-4 Class B Notification Appliance Circuits (NACS).
- One Form-A Alarm Relay, rouble relay and supervisory Relay.
- 3.0 amps of system power.
- Sound output can be disabled.
- Manual active sound output enabled.
- Able to report short and broken circuit of detection zones.
- Designed with standby batteries and space provision for two sealed lead-acid batteries.

- Testing and disable functions.
- Can connect maximum 32 repeater panels by RS485 communication port.
- Max 30 conventional detectors in one zone.
- Auto/Manual mode setting enable walk test.
- Each Zone can be disabled.
- Panel Dimensions (mm)(L\*W\*D):  
4 to 16 Zones: 370\*440\*100
- Panel Weight [Without Batteries]:  
4 to 16 Zones: 6.6kg / 2 Zones: 2.2kg



**CK1002**  
P10,920.00



**CK1004**  
P22,320.00  
**CK1008**  
P27,000.00

# STORAGE BATTERY

**DHB 1240** P770.00

- Battery size: L91xW71xH100xTH105(MM)
- Box size: 38.8x18.8 x12.1CM
- Net weight: 1.29KGS
- Quantity: 10 PCS/CTN
- ① Voltage: 12V      ② Voltage: 14.4-15V
- Capacity: 4AH      · Initial Current: less than 1.2A
- Cycle use      · Float charging (STANDBY USE)
- ③ Voltage: 13.5-13.8V
- Charging current less than 1.2A



**DHB 1270** P1050.00

- Battery size: L151xW66xH95xTH100(MM)
- Box size: 31.3x27.5 x12.6CM
- Net weight: 2.0KGS
- Quantity: 8 PCS/CTN
- ① Voltage: 12V      ② Voltage: 14.4-15V
- Capacity: 7AH      · Initial Current: less than 2.1A
- Cycle use      · Float charging (STANDBY USE)
- ③ Voltage: 13.5-13.8V
- Charging current less than 2.1A



# SPRINKLER



**MCF011**

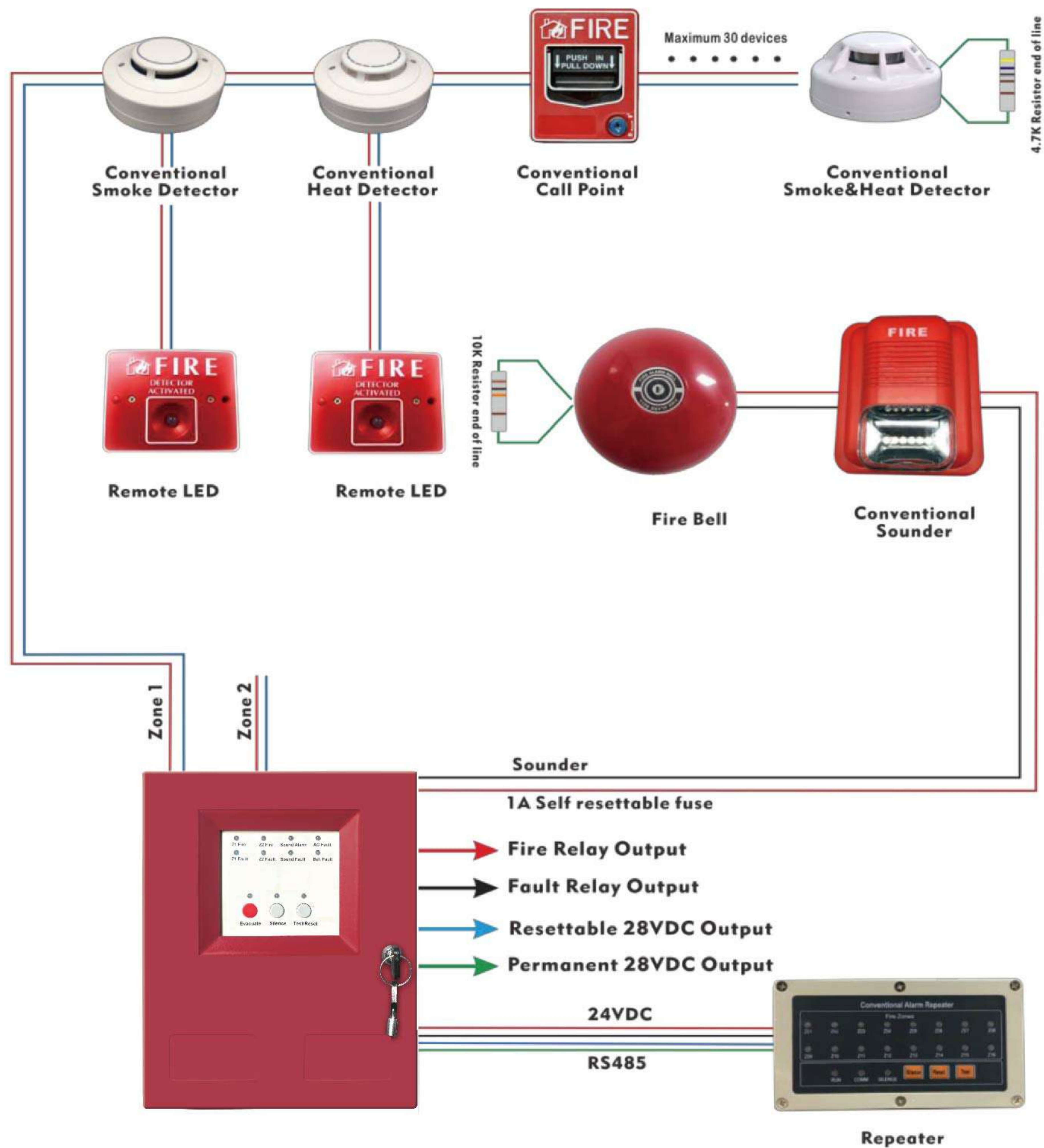
**MCF012**

**MCF013**

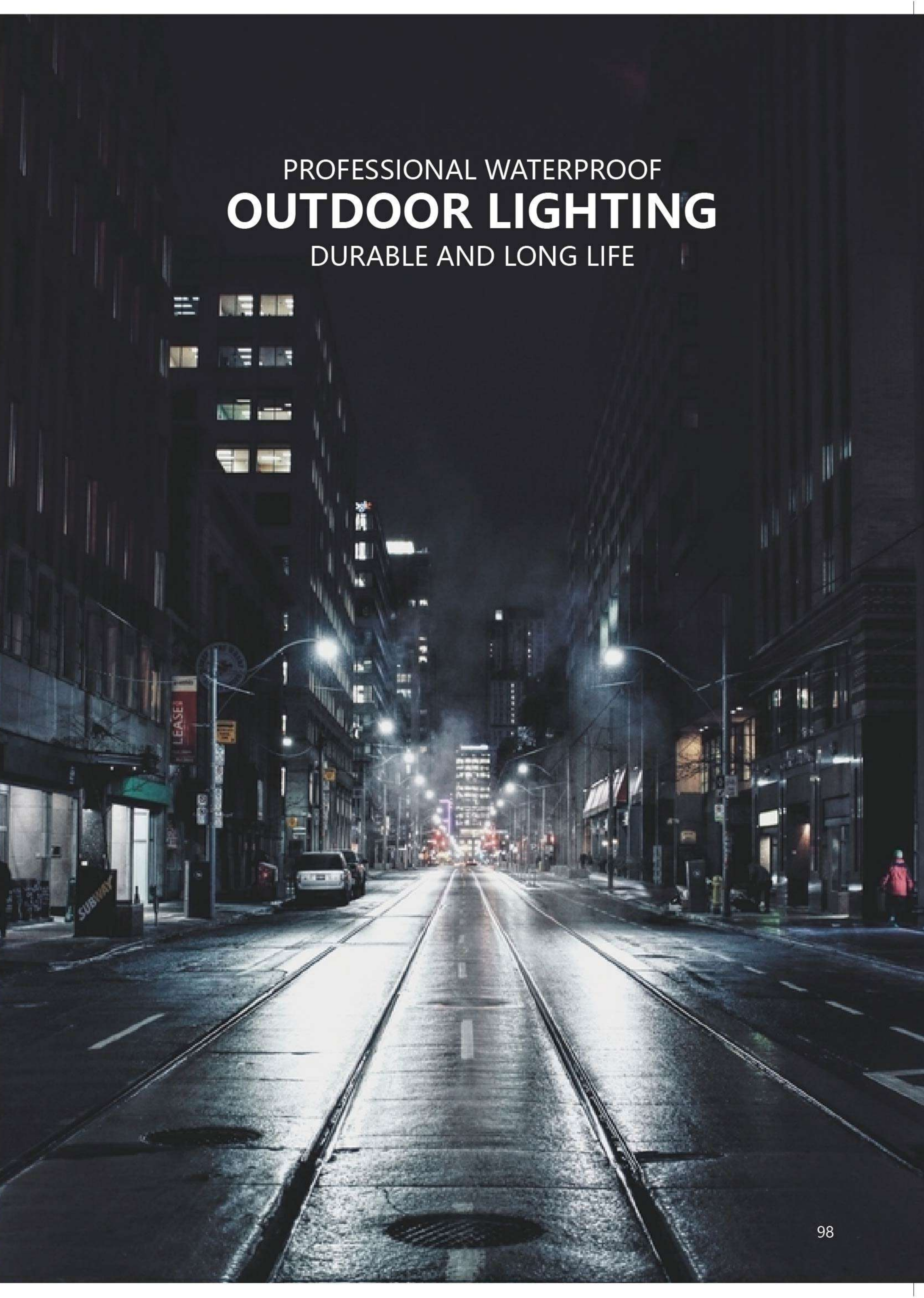
Description	Thread	K-factor	Glass ball diameter	Product size	Quantity	Price
UPRIGHT -MCF011	NPT1/2 or R1/2	K 5.6	Φ5mm	3.3 x 3.3 x 52.0mm	200PCS/CTN	P140.00
PENDENT -MCF012	NPT1/2 or R1/2	K 5.6	Φ5mm	3.3 x 3.3 x 51.6mm	200PCS/CTN	P140.50
SIDEWALL-MCF013	NPT1/2 or R1/2	K 5.6	Φ5mm	3.3 x 3.3 x 65.5mm	200PCS/CTN	P150.00



# Conventional Fire Alarm System



2 Zones Conventional Fire Alarm Control Panel



PROFESSIONAL WATERPROOF  
**OUTDOOR LIGHTING**  
 DURABLE AND LONG LIFE

Focus on your safety, your strongest security partner.

## LED FLOOD LIGHT

**YTMF-1005-LED IP65**

► More environmentally, energy-saving!

- Proof thickened aluminum supercooling.
- Proof glass lens perspective is very strong.
- Product of green environmental protection energy saving and high efficiency.
- Fine workmanship real materials.



Description	Voltage	Watt	LED	P.F.	Lumen	CRI	CCT Optional	Size	Quantity	Price
YTMF-1005-LED10W	170-240V	10W	SMD	0.5	600LM	≥80	3000-6500k	110 x 109 x 27mm	20 pcs/ctn	P330.00
YTMF-1005-LED20W	170-240V	20W	SMD	0.5/0.9	1300LM	≥80	3000-6500k	175 x 165 x 28mm	10 pcs/ctn	P665.00
YTMF-1005-LED30W	170-240V	30W	SMD	0.5/0.9	2000LM	≥80	3000-6500k	175 x 165 x 28mm	10 pcs/ctn	P890.00
YTMF-1005-LED50W	170-240V	50W	SMD	0.5/0.9	3200LM	≥80	3000-6500k	211 x 199 x 28mm	10 pcs/ctn	P1,080.00
YTMF-1005-LED70W	170-240V	70W	SMD	0.5	5600LM	≥80	3000-6500k	287 x 369.8 x 93.1mm	5 pcs/ctn	P1,600.00
YTMF-1005-LED100W	170-240V	100W	SMD	0.9	9200LM	≥80	3000-6500k	391.1 x 316.8 x 94.5mm	5 pcs/ctn	P1,850.00
YTMF-1005-LED150W	170-240V	150W	SMD	0.9	13500LM	≥80	3000-6500k	391.1 x 316.8 x 94.5mm	5 pcs/ctn	P4,000.00
YTMF-1005-LED200W	170-240V	200W	SMD	0.9	16780LM	≥80	3000-6500k	199 x 370 x 105mm	2 pcs/ctn	P4,200.00

## LED FLOOD LIGHT

**ZDL3027 IP65**



Description	Voltage	Watt	LED	P.F.	Lumen	CRI	CCT optional	Size	Quantity	Price
ZDL3027	170-240V	10W	SMD	0.9	900LM	80	6500k	100 x 75 x 23mm	40 pcs/ctn	—
ZDL3027	170-240V	20W	SMD	0.9	1800LM	80	6500k	120 x 102 x 23mm	40 pcs/ctn	—
ZDL3027	170-240V	30W	SMD	0.9	2700LM	80	6500k	180 x 130 x 23mm	20 pcs/ctn	—
ZDL3027	170-240V	50W	SMD	0.9	4500LM	80	6500k	196 x 146 x 23mm	10 pcs/ctn	—
ZDL3027	170-240V	100W	SMD	0.9	9000LM	80	6500k	286 x 215 x 25mm	8 pcs/ctn	—
ZDL3027	170-240V	150W	SMD	0.9	13500LM	80	6500k	346 x 260 x 28mm	6 pcs/ctn	—
ZDL3027	170-240V	200W	SMD	0.9	18000LM	80	6500k	412 x 309 x 28mm	4 pcs/ctn	—

## DIAMOND FLOODLIGHT

**ZDL3023 IP65**

- Up to 130lm/w
- 10kV surge protection
- Long-lasting aluminum housing
- Excellent thermal management for stable performance
- Long lifespan, low maintenance cost



Description	Voltage	Watt	LED	P.F.	Lumen	CRI	CCT Optional	Size	Quantity	Price
ZDL3023	85-277V	50W	SMD2835	0.92	6500LM	≥80	6500k	247 x 237 x 47mm	10 pcs/ctn	P2,780.00
ZDL3023	85-277V	100W	SMD2835	0.92	13000LM	≥80	6500k	301 x 280 x 55mm	5 pcs/ctn	P5,350.00
ZDL3023	85-277V	150W	SMD2835	0.92	19500LM	≥80	6500k	358 x 320 x 61mm	5 pcs/ctn	P7,450.00
ZDL3023	85-277V	200W	SMD2835	0.92	26000LM	≥80	6500k	412 x 366 x 63mm	4 pcs/ctn	P9,800.00
ZDL3023	85-277V	250W	SMD2835	0.92	32500LM	≥80	6500k	486 x 406 x 69mm	3 pcs/ctn	P12,600.00
ZDL3023	85-277V	300W	SMD2835	0.92	39000LM	≥80	6500k	486 x 406 x 69mm	3 pcs/ctn	P13,500.00

## DIE CAST LENS VERSION PROJECTOR

**ZDL3028 IP65**



Description	Voltage	Watt	LED	P.F.	Lumen	CRI	CCT optional	Size	Quantity	Price
ZDL3028	170-240V	50W	SMD2835	0.9	5000LM	≥80	6500k	205 x 160 x 23mm	10 pcs/ctn	P830.00
ZDL3028	170-240V	100W	SMD2835	0.9	10000LM	≥80	6500k	329 x 248 x 23mm	5 pcs/ctn	P1,290.00
ZDL3028	170-240V	150W	SMD2835	0.9	15000LM	≥80	6500k	378 x 280 x 23mm	5 pcs/ctn	P1,950.00
ZDL3028	170-240V	200W	SMD2835	0.9	20000LM	≥80	6500k	205 x 160 x 23mm	5 pcs/ctn	P2,500.00

# TUNNEL LIGHT

**ZDL1187 IP66**

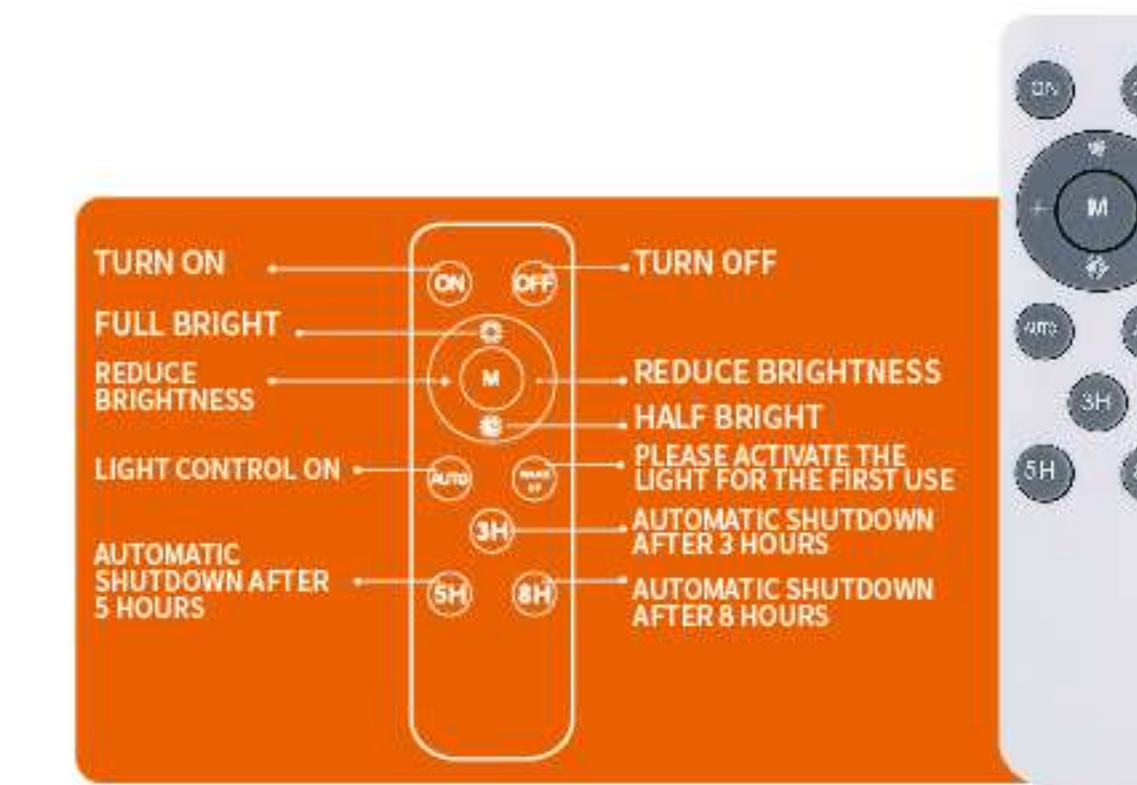
- Die cast radiator: excellent thermal management and compact structure
- Single module 50W/60W, up to 5 modules 500W/600W
- Optimized layout of embedded cable ducts
- IK08 tempered glass cover can be used under harsh conditions
- Accurate installation of rack angle up to 270°
- 4mm thick L-shaped support with wind resistance rate of 17
- Light metering: symmetrical 30°/45°/60°/90°, asymmetric 150°\*80°/120°\*90°
- Widely used in ports, docks, tower cranes, stadiums, etc



Description	Voltage	Watt	LED	P.F.	Lumen	CRI	CCT optional	Size	Quantity	Price
ZDL1187	85-277V	50W	SMD2835	0.95	7000LM	≥80	6500k	133 x 372 x 97mm	1 pc/ctn	P6,850.00
ZDL1187	85-277V	100W	SMD2835	0.95	14000LM	≥80	6500k	133 x 372 x 97mm	1 pc/ctn	P10,400.00
ZDL1187	85-277V	150W	SMD2835	0.95	21000LM	≥80	6500k	220 x 372 x 97mm	1 pc/ctn	P13,200.00
ZDL1187	85-277V	200W	SMD2835	0.95	28000LM	≥80	6500k	310 x 372 x 97mm	1 pc/ctn	P16,350.00
ZDL1187	85-277V	250W	SMD2835	0.95	35000LM	≥80	6500k	398 x 372 x 97mm	1 pc/ctn	P18,950.00
ZDL1187	85-277V	300W	SMD2835	0.95	42000LM	≥80	6500k	486 x 372 x 97mm	1 pc/ctn	P23,200.00

# SOLAR PROJECTOR WITH REMOTE CONTROL

**ZDL3012S IP65**



Description	Voltage	Watt	LED	P.F.	CRI	CCT optional	Lamp size	Solar panel size	Quantity	Price
ZDL3012S	170-240V	50W	SMD2835	0.9	≥70	6500k	192 x 132 x 41mm	350 x 230 x 17mm	5 pcs/ctn	P2,300.00
ZDL3012S	170-240V	150W	SMD2835	0.9	≥70	6500k	254 x 173 x 41mm	350 x 350 x 17mm	5 pcs/ctn	P4,050.00
ZDL3012S	170-240V	300W	SMD2835	0.9	≥70	6500k	285 x 198 x 41mm	350 x 530 x 17mm	5 pcs/ctn	P5,600.00

# SOLAR PROJECTOR

Working environment:  
outdoor, facing south, no shelter, direct sunlight.

**IP65**



Description	Watt	Lumen	CCT	Battery	LED	Quantity	Charging time	Discharging time	Price
SOL-30FL	30W	400LM	6500K	3.2V/5Ah LiFeO4	30pcs 5730	14 pcs/carton	6-8 Hours	12 Hours	P1,350.00
SOL-50FL	50W	700LM	6500K	3.2V/5Ah LiFeO4	61pcs 5730	7 pcs/carton	6-8 Hours	12 Hours	P1,850.00
SOL-100FL	100W	1100LM	6500K	3.2V/10Ah LiFeO4	97pcs 5730	5 pcs/carton	6-8 Hours	12 Hours	P2,350.00
SOL-200FL	200W	1400LM	6500K	3.2V/15Ah LiFeO4	190pcs 5730	4 pcs/carton	6-8 Hours	12 Hours	P3,350.00

# MINING LAMP

**GDXL1033 IP65**

- High system efficacy up to 190lm/W
- Microwave motion sensor is optional
- 0 ~10V dimmer is optional
- Emergency kit is optional
- Suitable for hook, pipe and bracket mounting
- Reflective cover can be added



Description	Voltage	Watt	LED	P.F.	Lumen	CRI	CCT optional	Size	Quantity	Price
GDXL1033	85-277V	100W	SMD2835	0.95	15000LM	≥80	6500k	248 x 129mm	1 pc/ctn	P5,400.00
GDXL1033	85-277V	150W	SMD2835	0.95	22500LM	≥80	6500k	295 x 140mm	1 pc/ctn	P6,700.00
GDXL1033	85-277V	200W	SMD2835	0.95	30000LM	≥80	6500k	320 x 154mm	1 pc/ctn	P8,850.00
GDXL1033	85-277V	240W	SMD2835	0.95	36000LM	≥80	6500k	320 x 154mm	1 pc/ctn	P9,050.00

# MINING LAMP

**ZDL1183 IP66**

- High system efficacy up to 190lm/W
- Microwave motion sensor is optional
- 0 ~10V dimmer is optional
- Emergency kit is optional
- Suitable for hook, pipe and bracket mounting
- Reflective cover can be added



Description	Voltage	Watt	LED	P.F:	Lumen	CRI	CCT optional	Size	Quantity	Price
ZDL1183	85-277V	400W	SMD2835	0.95	56000LM	≥80	6500k	493 x 439 x 421mm	1 pc/ctn	P61,500.00
ZDL1183	85-277V	500W	SMD2835	0.95	70000LM	≥80	6500k	493 x 439 x 421mm	1 pc/ctn	P62,100.00
ZDL1183	85-277V	800W	SMD2835	0.95	112000LM	≥80	6500k	651 x 586 x 511mm	1 pc/ctn	P103,000.00
ZDL1183	85-277V	1000W	SMD2835	0.95	140000LM	≥80	6500k	651 x 586 x 511mm	1 pc/ctn	P104,600.00

# LED HIGH BAY LIGHT



Description	Driver	Input voltage	P.F:	Luminous flux	Watt	CRI	LED	Beam angle	Lifetime	Dimensions	Quantity	Price
MINING LIGHT-100W	non-isolated	220-240V	0.9	9000LM	100W	≥80	SMD	120°	25000 Hours	Φ280x54mm	5 pcs/ctn	P1,750.00
MINING LIGHT-150W	non-isolated	220-240V	0.9	9000LM	150W	≥80	SMD	120°	25000 Hours	Φ340x56mm	5 pcs/ctn	P2,750.00
MINING LIGHT-200W	non-isolated	220-240V	0.9	9000LM	200W	≥80	SMD	120°	25000 Hours	Φ400x60mm	5 pcs/ctn	P4,450.00

# STREET LIGHT

Color temp:	6500K
Voltage:	220V-240V
P.F:	0.95
CRI:	≥80
LED:	SMD
Beam Angle:	125°
Surge:	4KV
Warranty:	5years



**IP65**



Description	Lumen	Watt	Package	Package	Quantity	Price
LED Street light-30W	3600LM	30W	510x120x208mm	510x120x208mm	6 pcs/ctn	P2,850.00
LED Street light-60W	7200LM	60W	580x120x255mm	580x120x255mm	4 pcs/ctn	P3,600.00
LED Street light-100W	12000LM	100W	728x285x229mm	728x285x229mm	4 pcs/ctn	P9,050.00
LED Street light-150W	18000LM	150W	728x285x229mm	728x285x229mm	1 pcs/ctn	P10,500.00

# SOLAR ENERGY LED STREET LIGHT



**IP66 CE ROHS**

**SOL-20S/SOL-30S**

**SOL-60S**

LTEM		SOLAR PANEL		LED LIGHT			BATTERY			Price
Description	Watt	Power	Size	Lumen	Size	Life span	U/I	Type		
SOL-20S	20W	5V/25W	535x350x27mm	1400lm	495x210x80mm	50000hrs	3.2V/20Ah	LiFePO <sub>4</sub>	P3,680.00	
SOL-30S	30W	10V/45W	535x350x27mm	2300lm	495x210x80mm	50000hrs	6.4V/30Ah	LiFePO <sub>4</sub>	P4,580.00	
SOL-60S	60W	5V/65W	670x603x30mm	3300lm	650x206x63mm	50000hrs	3.2V/50Ah	LiFePO <sub>4</sub>	P8,980.00	

Work hours: Whole night. The first four hours 100% lumen, the rest hours lumen drop gradually.  
Installation height: 8-10meters Installation distance: 35-45meters Charging time: 8hours Installation time: 16hrs Warranty: 5years

# SOLAR STREETLIGHT



## SOL-30

LED power	30W, 3000K/6000K
Lumen	800lm
Solar panel	6V/8W
Battery and QTY	2pcs, 6AH/pcs, 3.2v, LiFepo4
Working mode	Intelligent Mod + Remote control + PRI sensor
Material	ABS
Charging time	4 Hours
Discharging time	12-16Hours
Quantity	10pcs/ctn
Price	P1,650.00

## SOL-60

LED power	60W, 80 pcs, SMD 5730, 3000K or 6500K
Lumen	1000lm
Solar panel	6V/10W
Battery and QTY	3pcs, 6AH/pcs, 3.2v, LiFepo4
Working mode	Intelligent Mod + Remote control + PRI sensor
Material	ABS
Charging time	4 Hours
Discharging time	12-16Hours
Quantity	6pcs/ctn
Price	P2,280.00



## SOL-90

LED power	90W, 120 pcs, SMD 5730, 3000K or 6500K
Lumen	1200lm
Solar panel	6V/15W
Battery and QTY	2pcs, 6AH/pcs, 3.2v, LiFepo4
Working mode	Intelligent Mod + Remote control + PRI sensor
Material	ABS
Charging time	4 Hours
Discharging time	12-16Hours
Quantity	4pcs/ctn
Price	P2,920.00

# SOLAR STREET LIGHT

## PRODUCT FEATURES

- ① Solar battery powered. Does not require charging.
- ② Easy to install, no wire required.
- ③ ABS housing.
- ④ LiFePO4 battery included.
- ⑤ Charging time 6-8 hours.
- ⑥ 100% charge can last 3-5 days.
- ⑦ Light sensor+time control+microwave sensor+PIR sensor (people come close to the light, the light will turn on: when people leave from the light, the light will turn off.)



## ZDLS-3001

LED power	50W
CCT Optional	6500K
IP	IP65
CRI	≥80
Beam angle	120°
Luminous flux	Full light 500lm
Lithium battery	3.2V / 5AH
Solar panel	6V / 7W
Product size	380x210x55mm
Price	P2,290.00

## ZDLS-3001

LED power	75W
CCT Optional	6500K
IP	IP65
CRI	≥80
Beam angle	120°
Luminous flux	Full light 750lm
Lithium battery	3.2V / 10AH
Solar panel	6V / 9W
Product size	460x210x55mm
Price	P2,900.00



## ZDLS-3001

LED power	100W
CCT Optional	6500K
IP	IP65
CRI	≥80
Beam angle	120°
Luminous flux	Full light 1000lm
Lithium battery	3.2V / 10AH
Solar panel	6V / 11W
Product size	530x210x55mm
Price	P3,300.00



# SOLAR STREET LIGHT

## PRODUCT FEATURES

- ① Solar battery powered. Does not require charging.
- ② Easy to install, no wire required.
- ③ ABS housing.
- ④ LiFePO4 battery included.
- ⑤ Charging time 6-8 hours.
- ⑥ 100% charge can last 3-5 days.
- ⑦ Light sensor+time control+microwave sensor+PIR sensor (people come close to the light, the light will turn on: when people leave from the light, the light will turn off.)

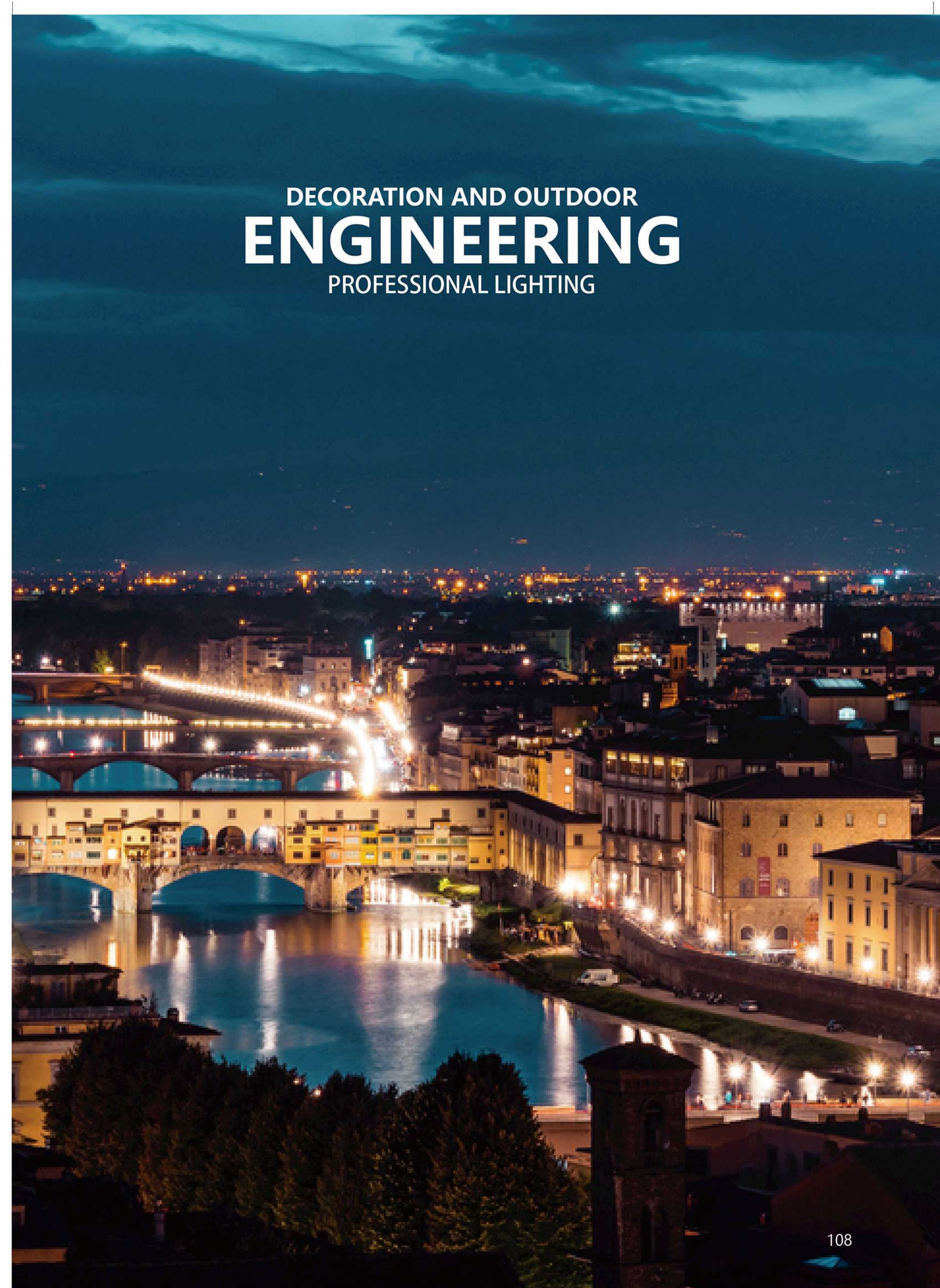


## ZDLS-3001

LED power	120W
CCT Optional	6500K
IP	IP65
CRI	≥80
Beam angle	120°
Luminous flux	Full light 1500lm
Lithium battery	3.2V / 15AH
Solar panel	6V / 13W
Product size	630x210x55mm
	P3,580.00

## ZDLS-3001

LED power	120W
CCT Optional	6500K
IP	IP65
CRI	≥80
Beam angle	120°
Luminous flux	Full light 2000lm
Lithium battery	3.2V / 15AH
Solar panel	6V / 15W
Product size	700x210x55mm
	P3,950.00



DECORATION AND OUTDOOR  
**ENGINEERING**  
 PROFESSIONAL LIGHTING

INTEGRATED LEADLESS  
**NEON STRIP LIGHT**



**RX 01**  
SMD2835 CHIP

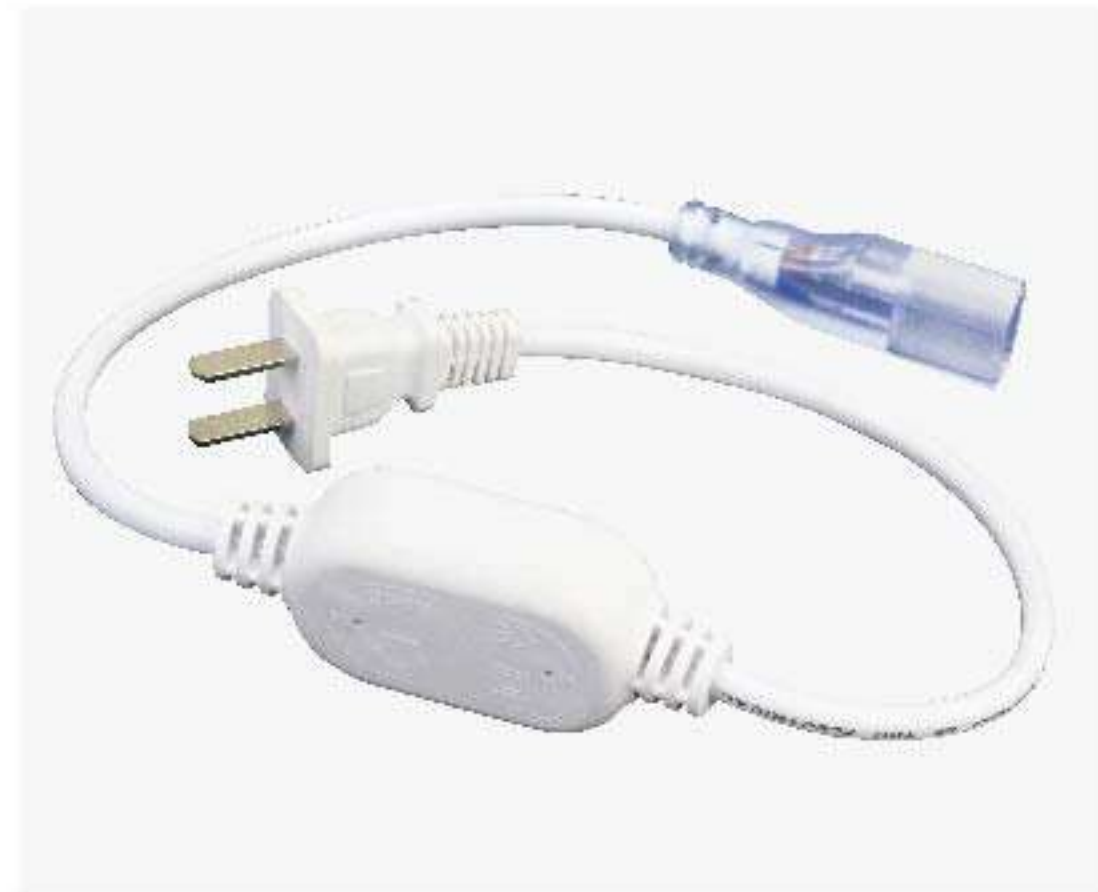
Voltage	220V
LED type	SMD2835 Chip 120pcs
CRI	≥70Ra
Lumen	120lm/led(40lm/meters)
Dimension	8 X 16mm
FPC size	6MM
Power factor	7W/M
Beam angel	120°
Life time	20000Hours
Protection class	IP65
Package	50m/roll
Color tempreure	3000K / 4000K / 6000K
Price	P5,500.00
Color tempreure	Red / Golden / Green / Pink / Blue / Purple / Orange
Price	P5,800.00

INTEGRATED LEADLESS  
**STRIP LIGHT**

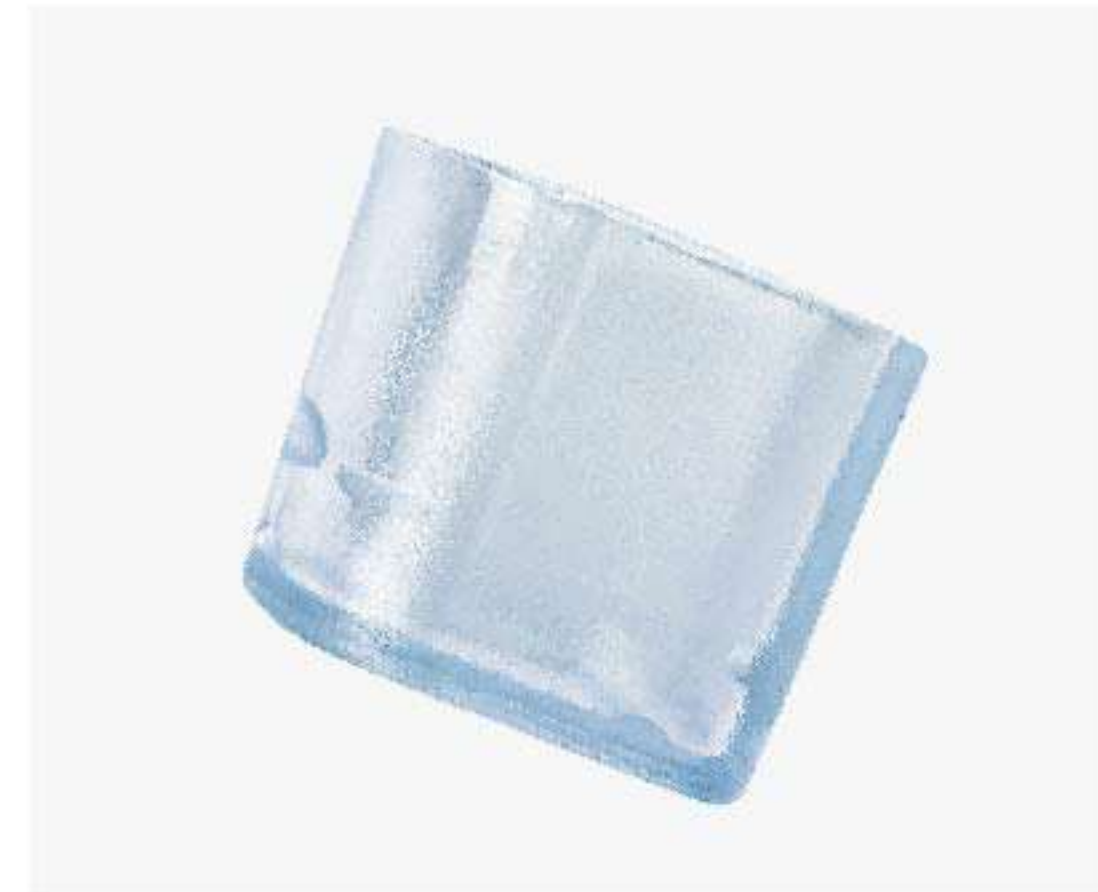


**EH 268**  
EF-JC2835-60D-8MM

Voltage	220V
LED type	SMD2835 Chip 60PCS
CRI	≥70Ra
Lumen	20-22lm/led(280lm/meter)
Dimension	13.8 X 6mm
FPC size	8mm
Power factor	7W/M
Beam angel	120°
Life time	20000Hours
Protection class	IP65
Package	50m/roll
Color tempreure	Blue / Green / Red / Golden / Pink
Price	P4,750.00



**RX-P01**  
POWER CORD  
P90.00



**RX-E02**  
END CUP  
P4.00



**RX-C03**  
FIXING CLAMP  
P4.00



**EH 268**  
EF-JC2835-60D-8MM

Voltage	220V
LED type	SMD2835 Chip 60PCS
CRI	≥70Ra
Lumen	20-22lm/led(300lm/meter)
Dimension	13.8 X 6mm
FPC size	8mm
Power factor	7W/M
Beam angel	120°
Life time	20000Hours
Protection class	IP65
Package	50m/roll
Color tempreure	3000K / 4000K / 6500K
Price	P4,100.00



**RX-M04**  
MIDDLE CONNECTOR  
P40.00



**RX-PIN**  
NEEDLE PIN CONNECTOR  
P8.00



**EH 21210**  
EF-JC2835-120D-10MM

Voltage	220V
LED type	SMD2835 Chip 120PCS
CRI	≥70Ra
Lumen	20-22lm/led(620lm/meter)
Dimension	13.8 X 6mm
FPC size	10mm
Power factor	11W/M
Beam angel	120°
Life time	20000Hours
Protection class	IP65
Package	50m/roll
Color tempreure	3000K / 4000K / 6500K
Price	P5,100.00



## INTEGRATED LEADLESS STRIP LIGHT

### EH 5610

EF-JC5050-60D-10MM

Voltage	220V
LED type	SMD5050 Chip 60PCS
CRI	≥70Ra
Lumen	20-22lm/led(300lm/meter)
Dimension	13.8 X 6mm
FPC size	10mm
Power factor	7W/M
Beam angel	120°
Life time	20000Hours
Protection class	IP65
Package	50m/roll
Color tempreure	3000K / 4000K / 6500K
Price	P6,100.00



## INTEGRATED LEADLESS STRIP LIGHT

### RH 5612 (RGB)

EF-JC5050 60D-12MM RGB PVC

Voltage	220V
LED type	SMD5050 Chip 60PCS
CRI	≥70Ra
Lumen	20-22lm/led(110lm/meter)
Dimension	16 X 6mm
FPC size	12mm
Power factor	8W/M
Beam angel	120°
Life time	20000Hours
Protection class	IP65
Package	50m/roll
Color tempreure	RGB
Price	P7,700.00



### PC02

INTEGRATED POWER CORD  
220V-10A-10MM-WATERPROOF  
P105.00



### EH 2912-C

EF-JC2835 120D-12MM

Voltage	220V
LED type	SMD2835 Chip 120PCS
CRI	≥70Ra
Lumen	20-22lm/led(240lm/meter)
Dimension	16 X 6mm
FPC size	12mm
Power factor	8W/M
Beam angel	120°
Life time	20000Hours
Protection class	IP65
Package	50m/roll
Color tempreure	White / Warm-White / White-Blue
Price	P6,400.00



### RC-04

RGB CONTROLLER  
12MM  
INTEGRATED RGB BUTTON  
P185.00

### RC-04/1

RGB CONTROLLER WITH REMOTE  
12MM  
INTEGRATED RGB REMOTE  
P350.00



### C03

DIMMER CONTROLLER  
POWER CORD W / BUTTON  
12MM  
INTEGRATED 2-COLOR DIMMABLE  
P185.00

### RGB-5M

2835/54D- 8MM

Voltage	12V
LED type	2835/54D
CRI	70Ra
Lumen	—
Dimension	5000(L)X8(W)X2(T)mm
FPC size	8mm
Power factor	12W/M
Beam angel	120°
Life time	10000Hours
Protection class	IP44
Package	5m/roll
Quantity	20 pcs/ctn
Color tempreure	RGB
Price	P400.00



Highlight chip  
Bright color



Copper core wire  
Stable performance



Anti-bad lamp  
bead design  
Peace of mind



High light  
transmission silicone  
Bright color



Flexible soft board  
Arbitrarily



Smart chip  
Choose what  
you need



Sunlight color  
Naturally soft



Feel free to  
install  
Easy to operate

## INTEGRATED LEADLESS STRIP LIGHT



### NL 268 EF-JC2835 60D-8MM BARE BOARD (50M)

Voltage	DC12V
LED type	SMD2835 Chip 60PCS
CRI	≥70Ra
Lumen	20-22lm/led(630lm/meter)
Dimension	8 X 3mm
FPC size	8mm
Power factor	9.6W/M
Beam angel	120°
Life time	20000Hours
Protection class	IP20
Package	50m/roll
Color tempreure	3000K / 4000K / 6000K
Price	P4,000.00



### NL 268 EF-JC2835 60D-8MM BARE BOARD (200M)

Voltage	DC12V
LED type	SMD2835 Chip 60PCS
CRI	≥70Ra
Lumen	20-22lm/led(630lm/meter)
Dimension	8 X 3mm
FPC size	8mm
Power factor	9.6W/M
Beam angel	120°
Life time	20000Hours
Protection class	IP20
Package	200m/roll
Color tempreure	3000K / 6000K
Price	P16,000.00



### NL 5610 EF-JC5050 60D-10MM

Voltage	DC12V
LED type	SMD5050 Chip 60PCS
CRI	≥70Ra
Lumen	20-22lm/led(280lm/meter)
Dimension	5 X 12mm
FPC size	10mm
Power factor	9.6W/M
Beam angel	120°
Life time	20000Hours
Protection class	IP20
Package	50m/roll
Color tempreure	3000K / 4000K / 6500K
Price	P5,850.00

### NL 5610 EF-JC5050 60D-10MM

Voltage	DC12V
LED type	SMD5050 Chip 60PCS
CRI	≥70Ra
Lumen	20-22lm/led(280lm/meter)
Dimension	5 X 12mm
FPC size	10mm
Power factor	9.6W/M
Beam angel	120°
Life time	20000Hours
Protection class	IP20
Package	200m/roll
Color tempreure	3000K / 6500K
Price	P23,400.00



### NL/P60W DRIVER POWER -12V, IP20, FOR BARE BOARD P360.00

## INTEGRATED LEADLESS STRIP LIGHT



### SL 268 EF-JC2835 60D-8MM SILICON MOLDING

Voltage	DC12V
LED type	SMD2835 Chip 60PCS
CRI	≥70Ra
Lumen	20-22lm/led(600lm/meter)
Dimension	5 X 12mm
FPC size	8mm
Power factor	9.6W/M
Beam angel	120°
Life time	20000Hours
Protection class	IP65
Package	50m/roll
Color tempreure	3000K / 4000K / 6500K
Price	P7,500.00

### SL/P60W DRIVER POWER -12V-60W, IP66 FOR SILICONE P760.00



### DL 268 EF-JC2835-60D-8mm-Dripping Glue

Voltage	DC 12V
LED type	SMD2835 Chip 60PCS
CRI	≥70Ra
Lumen	20-22lm/led(600lm/meter)
Dimension	8 X 3mm
FPC size	8mm
Power factor	7W/M
Beam angel	120°
Life time	20000Hours
Protection class	IP44
Package	5m/Set
Color tempreure	3000K / 4000K / 6500K
Price	P480.00

### DL 5610 EF-JC5050-60D-10mm-Dripping Glue

Voltage	DC 12V
LED type	SMD5050 Chip 60PCS
CRI	≥70Ra
Lumen	20-22lm/led(600lm/meter)
Dimension	8 X 3mm
FPC size	10mm
Power factor	7W/M
Beam angel	120°
Life time	20000Hours
Protection class	IP44
Package	5m/Set
Color tempreure	3000K / 4000K / 6500K
Price	P600.00



- Highlight chip  
Bright color
- Copper core wire  
Stable performance
- Anti-bad lamp  
bead design  
Peace of mind
- High light  
transmission silicone  
Bright color
- Flexible soft board  
Arbitrarily
- Smart chip  
Choose what  
you need
- Sunlight color  
Naturally soft
- Feel free to  
install  
Easy to operate



# LED STRIP ACCESSORIES



**E02**  
END CUP  
220V-10MM  
P3.00



**S02**  
SILICONE END CUP  
12V/24V-15CM  
P3.00



**P02**  
FIXING CLAMP  
220V-10MM  
P3.00



**M02**  
MIDDLE CONNECTOR  
10MM 2PIN  
P30.00



**M03**  
MIDDLE CONNECTOR  
10MM 3PIN  
P30.00



**M04 (RGB)**  
MIDDLE CONNECTOR  
10MM 4PIN  
P30.00

Reel+Anti-static bag(one set)



**RB-001**  
Reel: H 1cm  $\Phi$ 13cm,  
for 5 meters strip IP20  
Bag: 21 X 19cm  
P15.00

Reel+Anti-static bag(one set)



**RB-002**  
Reel: H 1cm  $\Phi$ 13cm,  
for 5 meters strip IP20  
Bag:25 X 26 cm  
P45.00



**W02**  
CONNECTING WIRE  
12V/24V-15CM  
P3.00



**NL/M-01S**  
CONNECTOR WIRE  
8MM  
P25.00



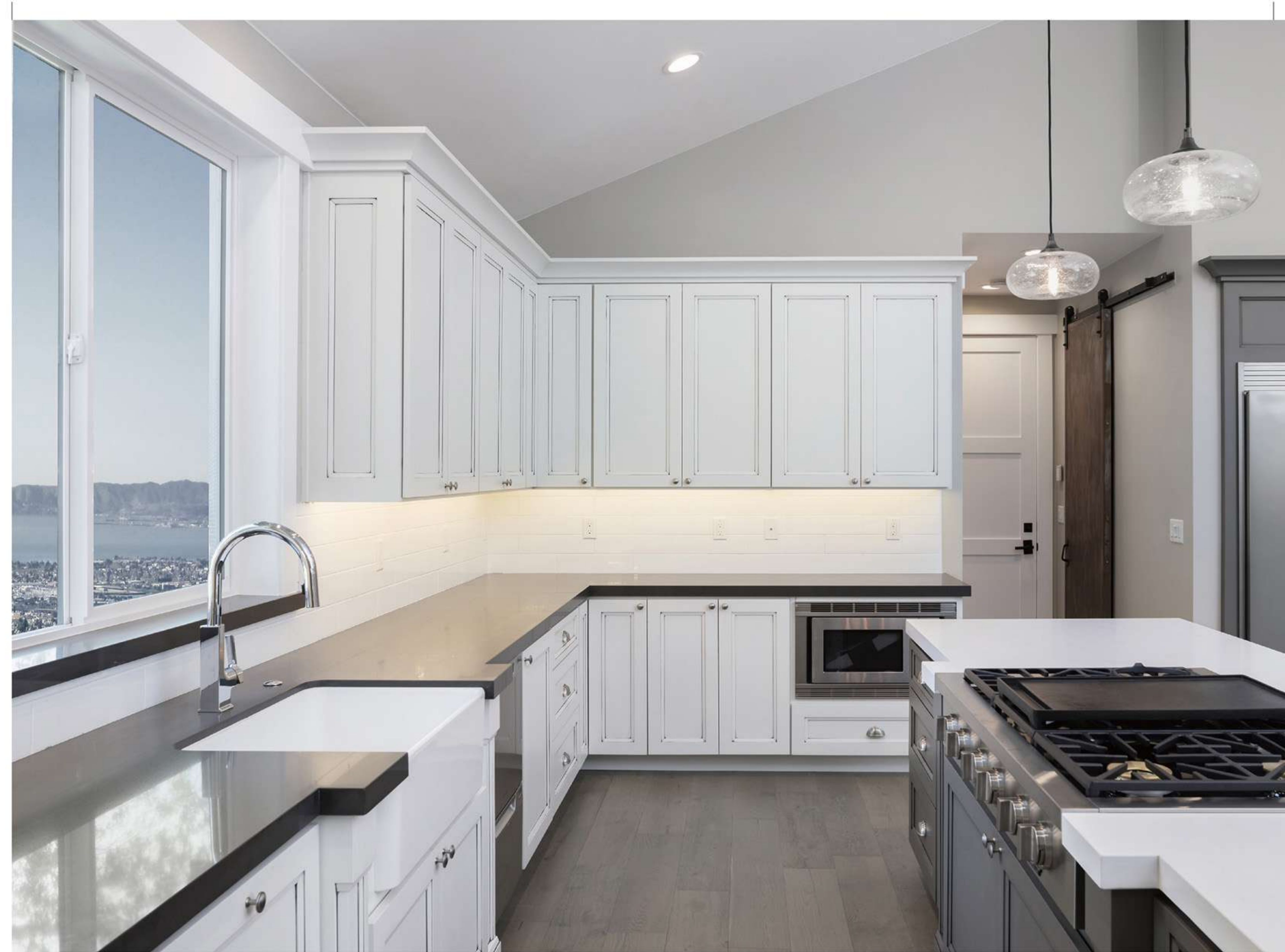
**NL/M-01D**  
CONNECTOR WIRE  
8MM  
P30.00



**NL/M-02S**  
CONNECTOR WIRE  
10MM  
P25.00

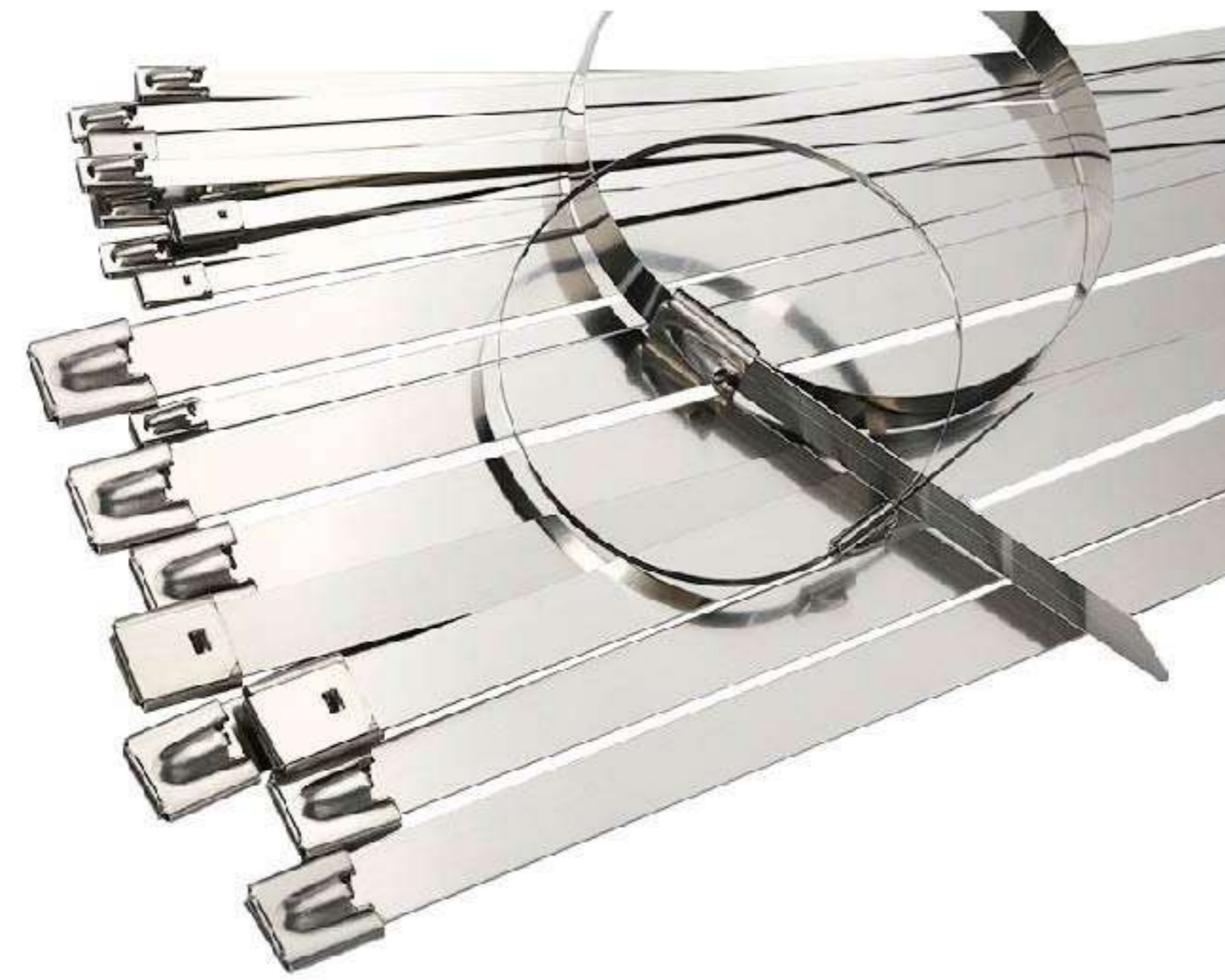


**NL/M-02D**  
CONNECTOR WIRE  
10MM  
P30.00



# STAINLESS STEEL MATERIAL

# STAINLESS STEEL CABLE TIES



Specification	Thickness	Max bundle dia	Min.loop tensile	Quantity pcs/pack; pack/ctn	Price	Quantity pcs/pack; pack/ctn	Price
ZD-5 x 100	—	23mm	—	100; 100	P290.00	8; 1250	P30.00
ZD-5 x 150	—	37mm	—	100; 100	P300.00	8; 625	P35.00
ZD-5 x 200	—	50mm	—	100; 50	P320.00	8; 625	P40.00
ZD-5 x 250	—	63mm	—	100; 50	P350.00	8; 625	P45.00
ZD-5 x 300	—	76mm	—	100; 50	P380.00	8; 625	P50.00
ZD-5 x 350	—	89mm	—	100; 50	P420.00	8; 625	P55.00
ZD-5 x 400	—	102mm	—	100; 50	P450.00	8; 625	P60.00
ZD-5 x 450	—	115mm	—	100; 50	P500.00	8; 625	P65.00
ZD-5 x 500	—	128mm	—	100; 50	P540.00	8; 312	P70.00
ZD-8 x 100	0.25mm	23mm	600N	100; 50	P440.00	8; 625	P35.00
ZD-8 x 150	—	37mm	—	100; 50	P490.00	8; 625	P40.00
ZD-8 x 200	—	50mm	—	100; 50	P540.00	8; 312	P45.00
ZD-8 x 250	—	63mm	—	100; 50	P600.00	8; 312	P50.00
ZD-8 x 300	—	76mm	—	100; 50	P670.00	8; 312	P55.00
ZD-8 x 350	—	89mm	—	100; 30	P730.00	8; 312	P60.00
ZD-8 x 400	—	102mm	—	100; 25	P800.00	8; 315	P65.00
ZD-8 x 450	—	115mm	—	100; 25	P840.00	8; 315	P70.00
ZD-8 x 500	—	128mm	—	100; 25	P900.00	8; 315	P75.00
ZD-12 x 500	—	—	—	100; 15	P1,300.00	8; 210	P130.00
ZD-12 x 700	—	—	—	100; 15	P1,600.00	8; 210	P150.00
ZD-15 x 700	—	—	—	100; 10	P3,300.00	8; 126	P250.00

## EMT CONNECTOR SET SCREW TYPE ZINC DIE CASTING

Sizes	d	d1	L	Quantity	Price
1/2"	NPT1/2"	18.50	29.00	500/CTN	P13.50
3/4"	NPT3/4"	24.00	33.30	500/CTN	P20.00
1"	NPT1"	30.00	37.00	400/CTN	P28.00
1 1/4"	NPT1 1/4"	38.80	48.00	200/CTN	P60.00
1 1/2"	NPT1 1/2"	45.00	51.20	125/CTN	P80.00
2"	NPT2"	56.40	60.00	100/CTN	P120.00
2 1/2"	NPT2 1/2"	74.00	74.00	—	—
3"	NPT3"	90.00	85.00	—	—
4"	NPT4"	115.00	94.00	—	—



## ALUMINUM ROMEX CONNECTOR

Sizes	D1	D2	L	Quantity	Price
1/2"	0.47	0.23	0.21	11.2	600/CTN P12.50
3/4"	0.40	0.25	0.24	8.6	400/CTN P17.50
1"	0.47	0.28	0.21	9.5	300/CTN P26.00



## EMT COUPLING SET SCREW TYPE ALU

Sizes	Quantity	Price
1/2"	500/CTN	P13.50
3/4"	500/CTN	P20.00
1"	400/CTN	P28.00
1 1/4"	200/CTN	P60.00
1 1/2"	125/CTN	P86.00
2"	100/CTN	P120.00
3"	—	—
4"	—	—



## EMT COUPLING COMPRESSION TYPE ZINC DIE CASTING

Sizes	D1	D2	L	Price
1/2"	16.00	18.00	40.00	—
3/4"	22.00	24.00	45.00	—
1"	27.00	30.00	50.00	—
1 1/4"	36.50	39.00	55.00	—
1 1/2"	41.50	45.00	60.00	—
2"	52.80	56.50	60.00	—



## EMT CONNECTOR COMPRESSION TYPE ZINC DIE CASTING

Sizes	D1	D2	L	Price
1/2"	G1/2"	18.00	35.00	—
3/4"	G3/4"	24.00	35.00	—
1"	G1"	30.00	40.00	—
1 1/4"	G1 1/4"	39.00	45.00	—
1 1/2"	G1 1/2"	45.00	50.00	—
2"	G2"	56.50	55.00	—



## EMT COUPLING SET SCREW TYPE STEEL

Sizes	D	D2	L	Price
1/2"	18.50	21.50	45.00	—
3/4"	24.00	27.00	63.00	—
1"	30.20	34.20	61.00	—
1 1/4"	39.00	43.00	72.00	—
1 1/2"	44.80	48.80	83.00	—
2"	56.50	60.50	95.00	—
2 1/2"	74.00	80.00	109.00	—
3"	90.50	96.50	114.00	—
4"	115.50	121.50	124.00	—



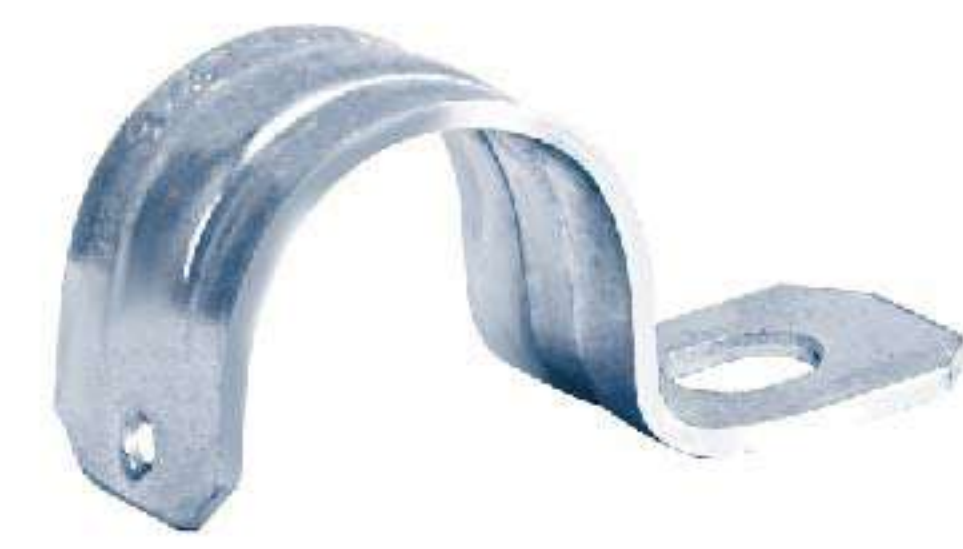
## EMT ONE HOLE METAL CLAMP MATERIAL: STEEL

SIZES	QUANTITY	PRICE
1/2"	2000/CTN	P3.00
3/4"	1000/CTN	P4.00
1"	1000/CTN	P5.00
1 1/4"	—	—
1 1/2"	—	—
2"	—	—



**EMT TWO HOLES METAL CLAMP**  
MATERIAL: STEEL

SIZES	QUANTITY	PRICE
1/2"	2000/CTN	P4.00
3/4"	1000/CTN	P5.00
1"	500/CTN	P6.00
1 1/4"	—	—
1 1/2"	—	—
2"	—	—



**IMC ONE HOLE METAL CLAMP**  
MATERIAL: STEEL

SIZES	QUANTITY	PRICE
1/2"	1600/CTN	P4.00
3/4"	1000/CTN	P5.00
1"	1000/CTN	P6.00
1 1/4"	500/CTN	P18.00
1 1/2"	400/CTN	P22.00
2"	300/CTN	P27.00



**LOOP HANGER**  
MATERIAL: STEEL

SIZES	CARTON SIZE			QUANTITY	PRICE
2"	0.45	0.26	0.32	250/CTN	P24.00
3"	0.45	0.26	0.32	100/CTN	P47.00
4"	0.53	0.21	0.39	80/CTN	P65.00
6"	0.42	0.39	0.32	50/CTN	P105.00



**CONDUIT COUPLING**  
MATERIAL: STEEL

SIZES	QUANTITY	PRICE
1/2"	500/CTN	P14.00
3/4"	250/CTN	P22.50
1"	200/CTN	P28.00
1 1/4"	150/CTN	P45.00
1 1/2"	120/CTN	P50.00
2"	80/CTN	P70.00



**IMC TWO HOLES METAL CLAMP**  
MATERIAL: STEEL

SIZES	QUANTITY	PRICE
1/2"	1500/CTN	P4.00
3/4"	1000/CTN	P5.00
1"	500/CTN	P7.00
1 1/4"	600/CTN	P21.00
1 1/2"	400/CTN	P25.00
2"	300/CTN	P30.00
2 1/2"	150/CTN	P48.00
3"	75/CTN	P60.00
4"	50/CTN	P85.00



**STRUT CLAMP**  
MATERIAL: STEEL

SIZES	QUANTITY	PRICE
1/2"	400/CTN	P14.00
3/4"	300/CTN	P16.00
1"	200/CTN	P18.00
1 1/4"	—	—
1 1/2"	—	—
2"	—	—



**IMC CONDUIT ELBOW**  
MATERIAL: STEEL

SIZES	QUANTITY	PRICE
1/2"	55/CTN	P55.00
3/4"	40/CTN	P125.00
1"	25/CTN	P171.00
1 1/4"	22/CTN	—
1 1/2"	12/CTN	—
2"	10/CTN	—



**EMT CONDUIT ELBOW 90° DEGREE**

SIZES	QUANTITY	PRICE
1/2"	180/CTN	P23.00
3/4"	90/CTN	P33.00
1"	50/CTN	P58.00
1 1/4"	30/CTN	P110.00
1 1/2"	20/CTN	P160.00
2"	18/CTN	—
2 1/2"	—	—
3"	—	—
4"	—	—



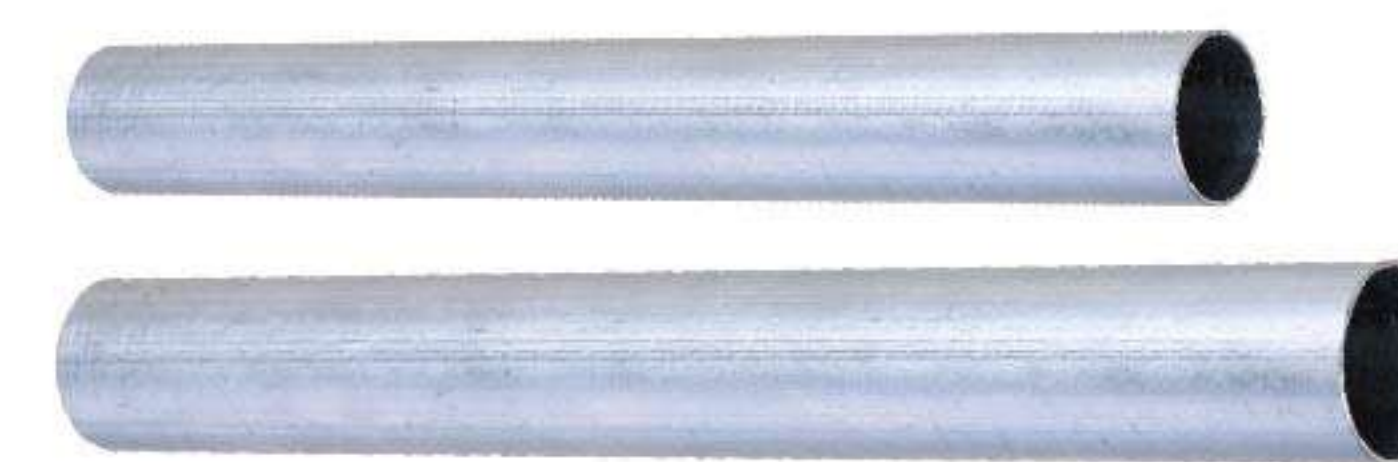
**CONDUIT HANGER WITH BOLT**  
MATERIAL: STEEL

SIZES	QUANTITY	PRICE
1/2"	400/CTN	P12.00
3/4"	300/CTN	P14.00
1"	400/CTN	P16.00
1 1/4"	—	—
1 1/2"	—	—
2"	—	—



**CONDUIT LOCKNUT**  
MATERIAL: STEEL

SIZES	QUANTITY	PRICE
1/2"	4000/CTN	P2.50
3/4"	2500/CTN	P3.50
1"	1250/CTN	P7.00
1 1/4"	—	—
1 1/2"	—	—
2"	—	—



**EMT ELECTRICAL STEEL TUBING THIN TYPE**

Sizes	Outside diameter	Inside diameter	Wall thickness	Price
1/2"	17.93 mm ( 0.706 inch )	15.80 mm ( 0.622 inch )	0.85 mm	—
3/4"	23.42 mm ( 0.922 inch )	20.93 mm ( 0.824 inch )	1.00 mm	—
1"	29.54 mm ( 1.163 inch )	26.64 mm ( 1.049 inch )	1.10 mm	—
1 1/4"	38.35 mm ( 1.510 inch )	38.05 mm ( 1.380 inch )	1.30 mm	—
1 1/2"	44.20 mm ( 1.740 inch )	40.89 mm ( 1.610 inch )	1.30 mm	—
2"	55.80 mm ( 2.197 inch )	52.50 mm ( 2.067 inch )	1.40 mm	—

## PVC COATED CORRUGATED CONDUIT(JSH TYPE)



### FLEXIBLE CONDUIT HOSE

Sizes	ID(MM)		OD(MM)		Bending radius(m)	Length/roll(m)	Price
	MIN	MAX	MIN	MAX			
1/2"	15.80	16.20	20.20	20.70	65	30	P1,500.00
3/4"	20.70	21.10	25.50	26.10	75	30	P1,900.00
1"	26.20	26.80	31.60	32.20	100	30	P2,600.00
1 1/4"	34.70	35.30	40.80	41.50	125	30	—
1 1/2"	40.00	40.70	46.60	47.20	150	25	—
2"	50.80	51.60	58.10	58.70	175	20	—




### GALVANIZED CONDUIT HOSE

Sizes	ID(MM)		OD(MM)		Bending radius(m)	Length/roll(m)	Price
	MIN	MAX	MIN	MAX			
1/4"	9.70	10.20	14.40	14.70	45	100	—
3/8"	12.30	12.70	16.70	17.20	50	100	—
1/2"	15.80	16.20	20.20	20.70	65	30	P550.00
3/4"	20.70	21.10	25.50	26.10	75	30	P760.00
1"	26.20	26.80	31.60	32.20	100	30	P1,100.00
1 1/4"	34.70	35.30	40.80	41.50	125	30	—
1 1/2"	40.00	40.70	46.60	47.20	150	25	—
2"	50.80	51.60	58.10	58.70	175	20	—
2 1/2"	63.00	63.60	71.80	72.40	200	10	—
3"	78.00	78.70	87.20	87.90	225	10	—
4"	101.60	102.60	111.20	112.30	275	10	—

## WIRES & CABLES





**100%**

- ✓ CONDUCTIVITY VIRGIN COPPER
- ✓ LED FREE WITH DUAL INSULATION
- ✓ QUALITY PRODUCT

- FLAME RETARDANT
- SCRATCH & FUNCTION RESISTANT
- SMOOTH NYLON FOR EASY INSTALLATION

## WIRES & CABLES

BUILDING WIRES							
Product Description	Gauge	Size	Ampacity	Color	M/Pkg	Base Price	
 ROTN14A	14 AWG	2.0mm <sup>2</sup>	35	Red, Yellow, Green, Blue, White, Black	150M/Box	—	
ROTN12A	12 AWG	3.5mm <sup>2</sup>	40	Red, Yellow, Green, Blue, White, Black	150M/Box	—	
ROTN10A	10 AWG	5.5mm <sup>2</sup>	55	Red, Yellow, Green, Blue, White, Black	150M/Box	—	

Product Description	Gauge	Size	Ampacity	Color	M/Pkg	Base Price
 ROTM-14-XWT	14 AWG	1.6mm/2C	35	White	75M/Box	—
ROTM-12-XWT	12 AWG	2.0mm/2C	35	White	75M/Box	—
ROTM-10-XWT	10 AWG	2.6mm/2C	35	White	75M/Box	—

Product Description	Gauge	Size	Ampacity	Color	M/Pkg	Base Price
<b>TW Stranded</b> Thermoplasma water-resistant						
 ROTW-ST-14BLK	14 AWG	2.0mm <sup>2</sup>	20	Black	150M/Box	—
ROTW-ST-12BLK	12 AWG	3.5mm <sup>2</sup>	25	Black	150M/Box	—
ROTW-ST-10BLK	10 AWG	5.5mm <sup>2</sup>	30	Black	150M/Box	—
ROTW-ST-8BLK	8 AWG	8.0mm <sup>2</sup>	40	Black	150M/Box	—

Product Description	Gauge	Size	Ampacity	Color	M/Pkg	Base Price
<b>TW Solid</b> Thermoplasma water-resistant						
 ROTW-S-14BLK	14 AWG	1.6mm <sup>2</sup>	25	Black	150M/Box	—
ROTW-S-12BLK	12 AWG	2.0mm <sup>2</sup>	30	Black	150M/Box	—
ROTW-S-10BLK	10 AWG	2.6mm <sup>2</sup>	40	Black	150M/Box	—

Product Description	Gauge	Size	Ampacity	Color	M/Pkg	Base Price
<b>Flat Cord</b> Stranded, parallel, Thermoplastic						
 ROFC22A	SPT1	22 AWG	0.3mm <sup>2</sup>	Black White & Black/Red (Speaker Wire)	150M/Box	—
ROFC18A	SPT1	18 AWG	0.75mm <sup>2</sup>		150M/Box	—
ROFC16A	SPT1	16 AWG	1.25mm <sup>2</sup>		150M/Box	—
ROFC22A-B	SPT1	14 AWG	2.0mm <sup>2</sup>	Black	150M/Box	—

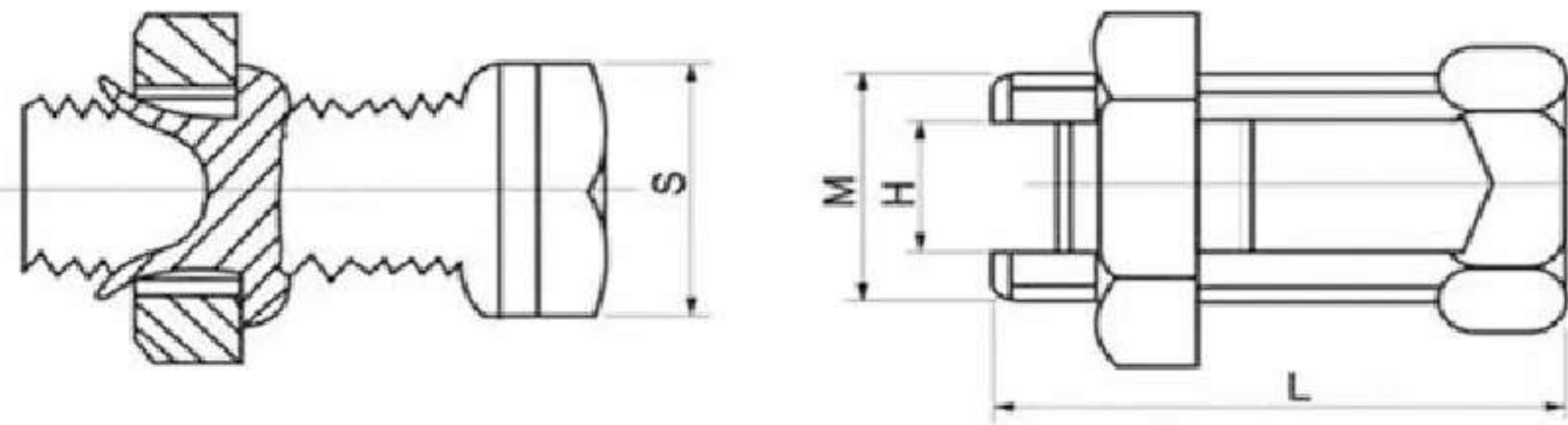
**100%**

- ✓ CONDUCTIVITY VIRGIN COPPER
- ✓ LED FREE WITH DUAL INSULATION
- ✓ QUALITY PRODUCT

- FLAME RETARDANT
- SCRATCH & FUNCTION RESISTANT
- SMOOTH NYLON FOR EASY INSTALLATION

# COPPER BOLT CLAMP

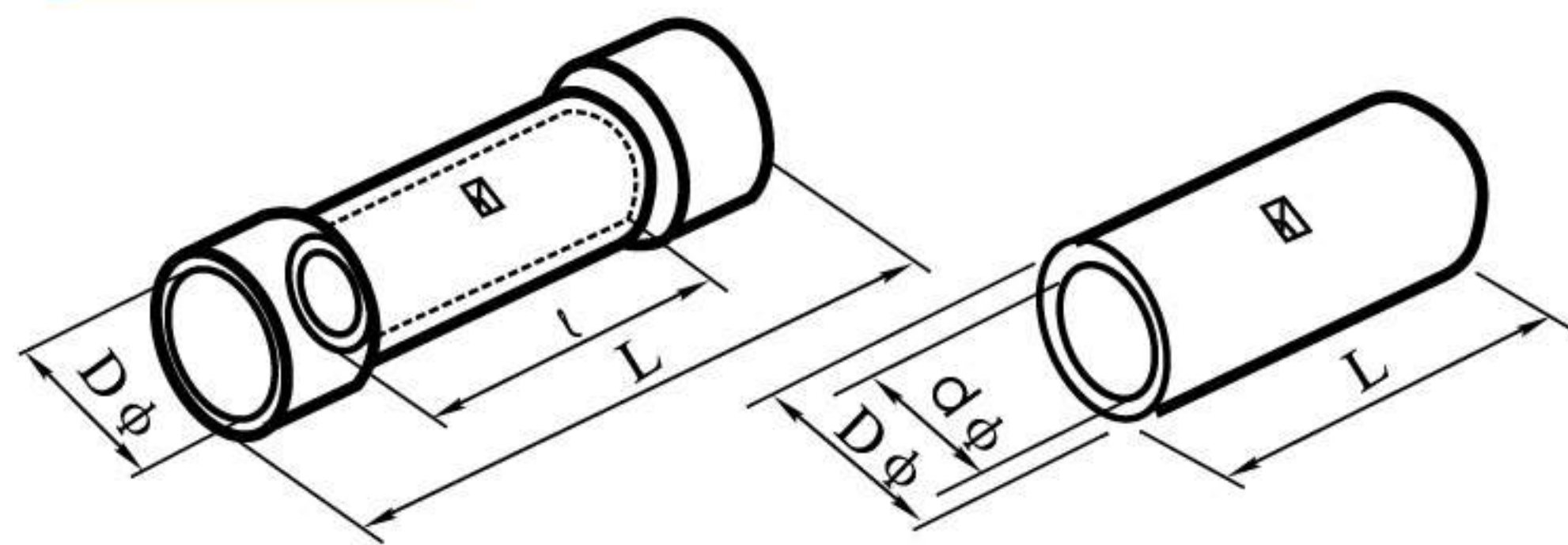
CBC-002



Description	Dimension(mm <sup>2</sup> )				Quantity	Price
	L	H	H	S		
TJ-16	26	11	5	12	20 PACK	P115.00
TJ-25	27	13	7	14	20 PACK	P165.00
TJ-35	35	17	8	18	20 PACK	P220.00
TJ50-70	42	22	11.5	24	10 PACK	P395.00
T90-120	44	25	14	25	10 PACK	P465.00
TJ150-185	55	28	18	30	6 PACK	P555.00
TJ200-240	56	30	19	32	6 PACK	P650.00

# INSULATED BUTT CONNECTOR

IBC-011

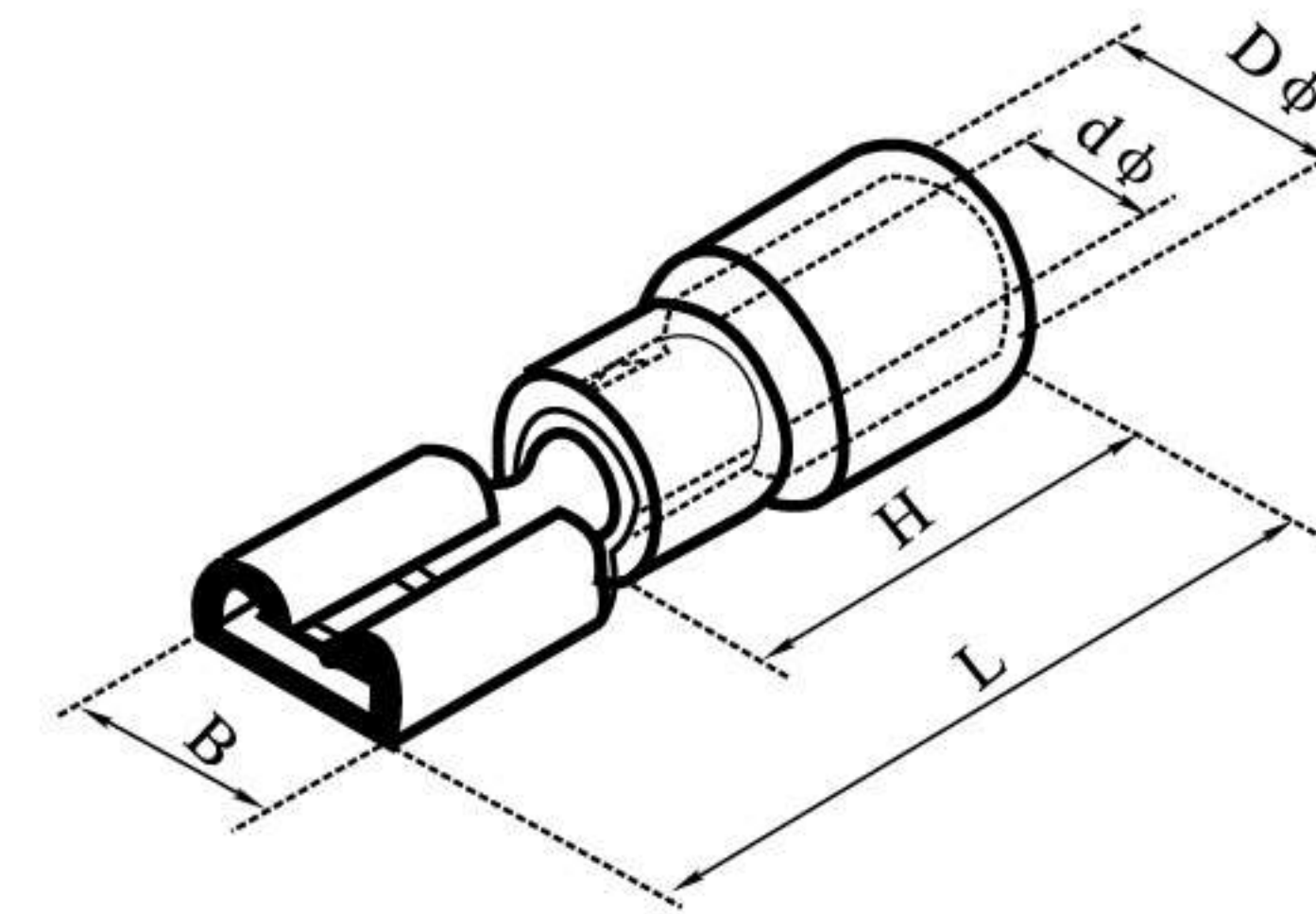


Description		CInle sq		Dimension			Imax	Quantity	Price
Model	Color	A.W.G	mm <sup>2</sup>	l(mm)	DΦ(mm)	L(mm)			
BV1.25	Red	22-16	0.5-1.5	15.0	1.7	26.0	19A	240 PACK/CTN	P127.00
BV2	Blue	16-14	1.5-2.5	15.0	2.3	26.0	27A	192 PACK/CTN	P155.00
BV5.5	Yellow	12-10	4-6	15.0	3.4	26.0	48A	120 PACK/CTN	P255.00
BV8	Red	#8	6-10	21.0	4.5	32.0	62A	—	—
BV14	Blue	#6	10-16	26.0	5.8	42.0	88A	—	—
BV22	Yellow	#4	16-25	29.0	7.7	50.0	115A	—	—
BV38	Red	#2	35-50	32.0	9.4	55.0	160A	—	—

Description		CInle sq		Dimension			Imax	Quantity	Price
Model	Color	A.W.G	mm <sup>2</sup>	l(mm)	DΦ(mm)	L(mm)			
PVT1.25	Red	22-16	0.5-1.5	8.0	1.7	16.0	19A	—	P90.00
PVT2	Blue	16-14	1.5-2.5	8.0	2.3	16.0	27A	—	—
PVT5.5	Yellow	12-10	4-6	8.5	3.4	20.5	48A	—	—

# INSULATED FEMALE DISCONNECT

IFD-013



CONDUCTOR SECTION:0.5~1.5mm<sup>2</sup>(22~16), MAXIMUM CURRENT:Imax=10A

Description		Mema tab	Thickness of material	Dimension					Quantity	Price
Model	Color			B(mm)	dΦ(mm)	DΦ(mm)	L(mm)	H(mm)		
FDD1.25-110(5)	—	0.5x2.80mm	0.30mm	3.8	1.7	3.8	19.0	10.0	—	—
FDD1.25-110(8)	—	0.8x2.80mm	0.30mm	3.8	1.7	3.8	19.0	10.0	—	—
FDD1.25-187(5)	—	0.5x4.75mm	0.35mm	5.6	1.7	3.8	19.0	10.0	—	—
FDD1.25-187(8)	—	0.8x4.75mm	0.35mm	5.6	1.7	3.8	19.0	10.0	—	—
FDD1.25-205	—	0.5x5.20mm	0.35mm	6.5	1.7	3.8	20.0	10.0	—	—
FDD1.25-250	Red	0.8x6.35mm	0.40mm	7.4	1.7	3.8	21.0	10.0	360 PACK/CTN	P90.00

CONDUCTOR SECTION:1.5~2.5mm<sup>2</sup>(16~14), MAXIMUM CURRENT:Imax=15A

Description		Mema tab	Thickness of material	Dimension					Quantity	Price
Model	Color			B(mm)	dΦ(mm)	DΦ(mm)	L(mm)	H(mm)		
FDD2-110(5)	—	0.5x2.80mm	0.30mm	3.8	2.3	4.3	19.0	10.0	—	—
FDD2-110(8)	—	0.8x2.80mm	0.30mm	3.8	2.3	4.3	19.0	10.0	—	—
FDD2-187(5)	—	0.5x4.75mm	0.35mm	5.6	2.3	4.3	19.0	10.0	—	—
FDD2-187(8)	—	0.8x4.75mm	0.35mm	5.6	2.3	4.3	19.0	10.0	—	—
FDD2-205	—	0.5x5.20mm	0.35mm	6.5	2.3	4.3	20.0	10.0	—	—
FDD2-250	Blue	0.8x6.35mm	0.40mm	7.4	2.3	4.3	21.0	10.0	360 PACK/CTN	P95.00
FDD2-312	—	0.8x8.00mm	0.40mm	9.0	2.3	4.3	23.0	10.0	—	—

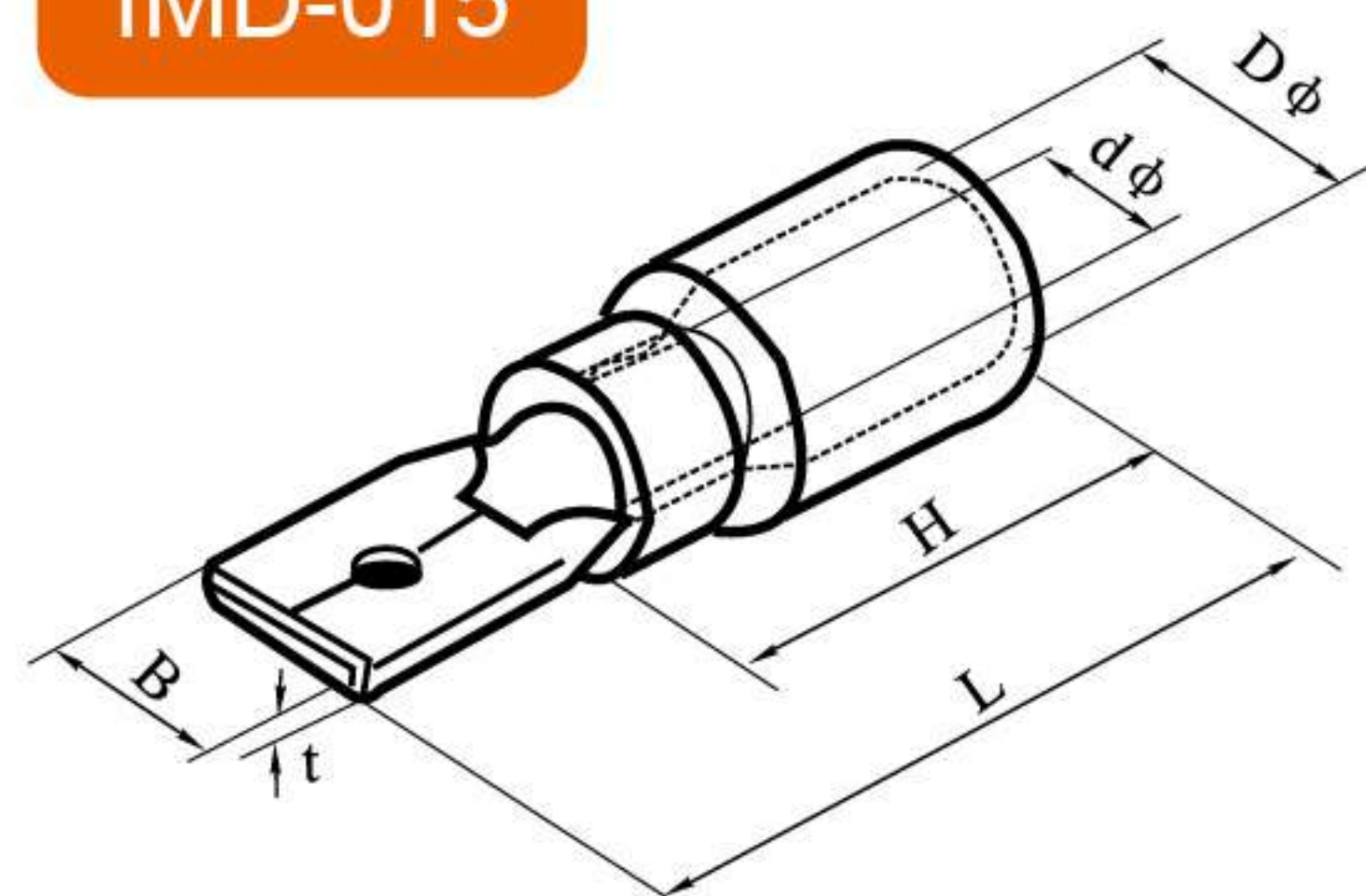
CONDUCTOR SECTION:4~6mm<sup>2</sup>(12~10), MAXIMUM CURRENT:Imax=24A

Description		Mema tab	Thickness of material	Dimension					Quantity	Price
Model	Color			B(mm)	dΦ(mm)	DΦ(mm)	L(mm)	H(mm)		
FDD5.5-250	Yellow	0.5x6.35mm	0.40mm	7.4	3.4	5.7	25.0	14.0	240 PACK/CTN	P130.00
FDD5.5-375	—	1.2x9.40mm	0.50mm	10.9	3.4	5.7	29.6	14.0	—	—



# INSULATED MALE DISCONNECT

IMD-015



CONDUCTOR SECTION:0.5~1.5mm<sup>2</sup>(22~16), MAXIMUM CURRENT:I<sub>max</sub>=10A

Description		Mema tab	Thickness of material	Dimension				Quantity	Price	
Model	Color			B(mm)	dΦ(mm)	DΦ(mm)	L(mm)			H(mm)
MDD1.25-110(8)	—	0.8x2.80mm	0.80mm	2.80	1.7	4.3	17.7	10.0	—	—
MDD1.25-187(5)	—	0.5x4.75mm	0.50mm	4.75	1.7	4.3	20.0	10.0	—	—
MDD1.25-187(8)	—	0.8x4.75mm	0.80mm	4.75	1.7	4.3	18.5	10.0	—	—
MDD1.25-250	Red	0.8x6.35mm	0.40mm	6.35	1.7	4.3	21.0	10.0	480 PACK/CTN	P90.00

CONDUCTOR SECTION:1.5~2.5mm<sup>2</sup>(16~14), MAXIMUM CURRENT:I<sub>max</sub>=15A

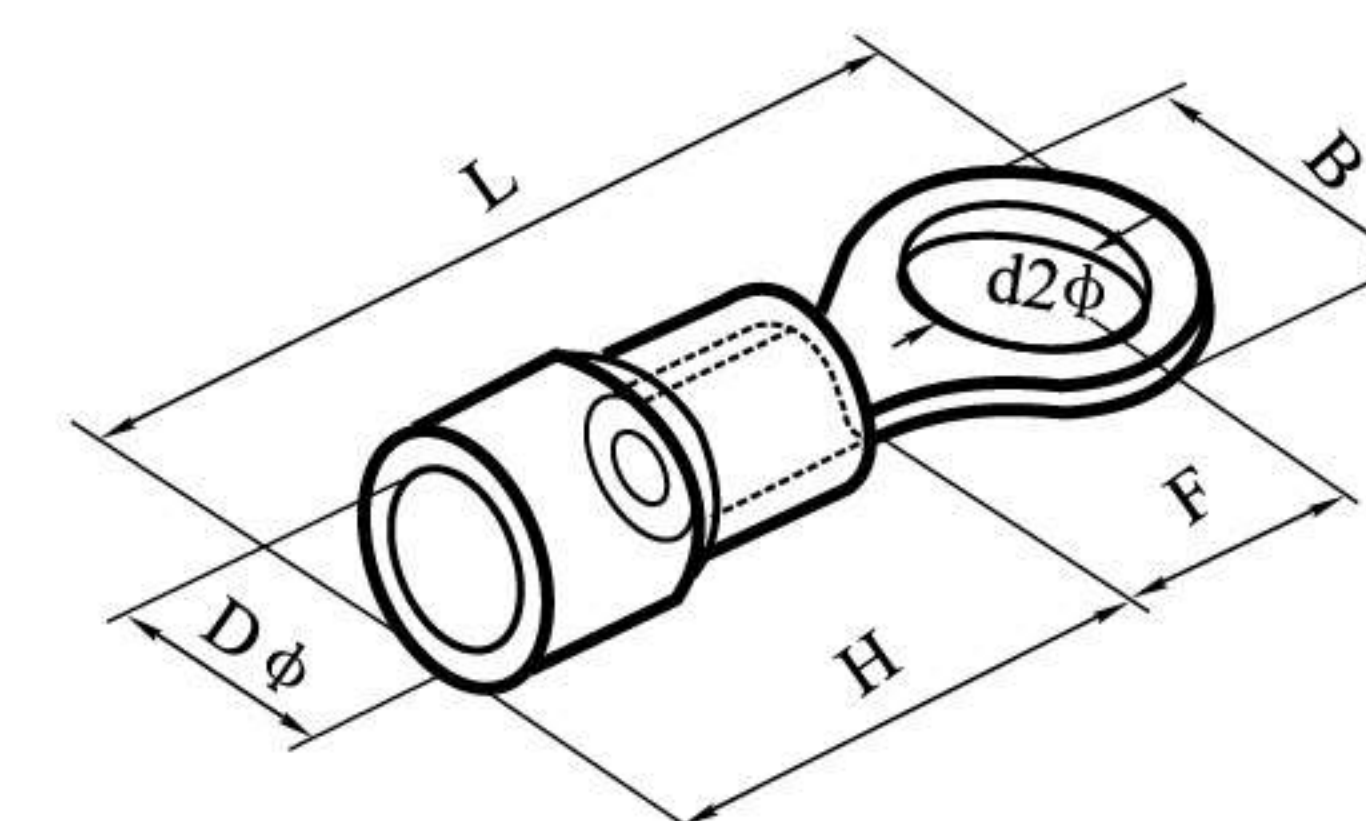
Description		Mema tab	Thickness of material	Dimension				Quantity	Price	
Model	Color			B(mm)	dΦ(mm)	DΦ(mm)	L(mm)			H(mm)
MDD2-187(5)	—	0.5x4.75mm	0.50mm	4.75	2.3	4.3	20.0	10.0	—	—
MDD2-187(8)	—	0.8x4.75mm	0.80mm	4.75	2.3	4.3	18.5	10.0	—	—
MDD2-250	Blue	0.5x6.35mm	0.40mm	6.35	2.3	4.3	21.0	10.0	480 PACK/CTN	P90.00

CONDUCTOR SECTION:4~6mm<sup>2</sup>(12-10), MAXIMUM CURRENT:I<sub>max</sub>=24A

Description		Mema tab	Thickness of material	Dimension				Quantity	Price	
Model	Color			B(mm)	dΦ(mm)	DΦ(mm)	L(mm)			H(mm)
MDD5.5-250	Yellow	0.8x6.35mm	0.40mm	6.35	3.4	5.7	25.0	14.0	240 PACK/CTN	P130.00

# INSULATED RING TERMINAL

IRT-016



CONDUCTOR SECTION:0.5~1.5mm<sup>2</sup>(22~16), MAXIMUM CURRENT:I<sub>max</sub>=19A

Description		American bolt		Dimension					Quantity	Price
Model	Color	Number	Diameter(mm)	B(mm)	L(mm)	F(mm)	H(mm)	DΦ(mm)		
RV1.25-3	Red	#4	3.2	5.7	17.8	4.95	10.0	4.3	—	—
RVS1.25-3.5	Red	#6	3.7	5.7	17.8	4.95	10.0	4.3	—	—
RVM1.25-3.5	Red	#6	3.7	6.6	20.1	6.30	10.0	4.3	—	—
RVL1.25-3.5	Red	#6	3.7	8.0	21.5	7.00	10.0	4.3	—	—
RVS1.25-4	Red	#8	4.3	6.6	20.1	6.30	10.0	4.3	—	—
RVL1.25-4	Red	#8	4.3	8.0	21.5	7.00	10.0	4.3	—	—
RV1.25-5	Red	#10	5.3	8.0	21.5	7.00	10.0	4.3	—	—
RV1.25-6	Red	1/4	6.5	11.6	27.5	11.10	10.0	4.3	—	—
RV1.25-8	Red	5/16	8.4	11.6	27.5	11.10	10.0	4.3	—	—
RV1.25-10	Red	3/8	10.5	13.6	31.6	13.90	10.0	4.3	—	—

CONDUCTOR SECTION:1.5~2.5mm<sup>2</sup>(16-14), MAXIMUM CURRENT:I<sub>max</sub>=27A

Description		American bolt		Dimension					Quantity	Price
Model	Color	Number	Diameter(mm)	B(mm)	L(mm)	F(mm)	H(mm)	DΦ(mm)		
RV2-3	Blue	#4	3.2	6.6	17.8	4.30	10.0	4.9	—	—
RVS2-3.5	Blue	#6	3.7	6.6	17.8	4.30	10.0	4.9	—	—
RVM2-3.5	Blue	#6	3.7	6.6	21.0	7.00	10.0	4.9	—	—
RVL2-3.5	Blue	#6	3.7	8.5	22.5	7.75	10.0	4.9	—	—
RVS2-4	Blue	#8	4.3	6.6	21.0	7.00	10.0	4.9	—	—
RVL2-4	Blue	#8	4.3	8.5	22.5	7.75	10.0	4.9	—	—
RVS2-5	Blue	#10	5.3	8.5	22.5	7.75	10.0	4.9	360 PACK/CTN	P120.00
RVL2-5	Blue	#10	5.3	9.5	22.5	7.25	10.0	4.9	—	—
RV2-6	Blue	1/4	6.5	12.0	27.6	11.00	10.0	4.9	—	—
RV2-8	Blue	5/16	8.4	12.0	37.6	11.00	10.0	4.9	—	—
RV2-10	Blue	3/8	10.5	13.6	30.2	13.90	10.0	4.9	—	—

CONDUCTOR SECTION:2.5~4mm<sup>2</sup>(14-12), MAXIMUM CURRENT:I<sub>max</sub>=37A

Description		American bolt		Dimension					Quantity	Price
Model	Color	Number	Diameter(mm)	B(mm)	L(mm)	F(mm)	H(mm)	DΦ(mm)		
RV3.5-4	Black	#8	4.3	8.0	24.5	7.7	12.5	6.2	—	—
RVS3.5-5	Black	#10	5.3	8.0	24.5	7.7	12.5	6.2	—	—
RVL3.5-5	Black	#10	5.3	12.0	27.9	7.7	12.5	6.2	—	—
RV3.5-6	Black	1/4	6.5	12.0	27.9	7.7	12.5	6.2	—	—

CONDUCTOR SECTION:4~6mm<sup>2</sup>(12-10), MAXIMUM CURRENT:I<sub>max</sub>=48A

Description		American bolt		Dimension					Quantity	Price
Model	Color	Number	Diameter(mm)	B(mm)	L(mm)	F(mm)	H(mm)	DΦ(mm)		
RV5.5-3.5	Yellow	#6	3.7	7.2	21.4	5.9	12.5	6.7	—	—
RVS5.5-4	Yellow	#8	4.3	7.2	21.5	5.9	12.5	6.7	—	—
RVL5.5-4	Yellow	#8	4.3	9.5	25.5	8.3	12.5	6.7	—	—
RV5.5-5	Yellow	#10	5.3	9.5	25.5	8.3	12.5	6.7	144 PACK//CTN	P230.00
RV5.5-6	Yellow	1/4	6.5	12.0	31.5	13.0	12.5	6.7	—	—
RV5.5-8	Yellow	5/16	8.4	15.0	33.7	13.7	12.5	6.7	144 PACK//CTN	P370.00
RV5.5-10	Yellow	3/8	10.5	15.0	33.7	13.7	12.5	6.7	—	—
RV5.5-12	Yellow	1/2	13.0	19.2	38.1	16.0	12.5	6.7	—	—

# HEAT SHRINK TUBING

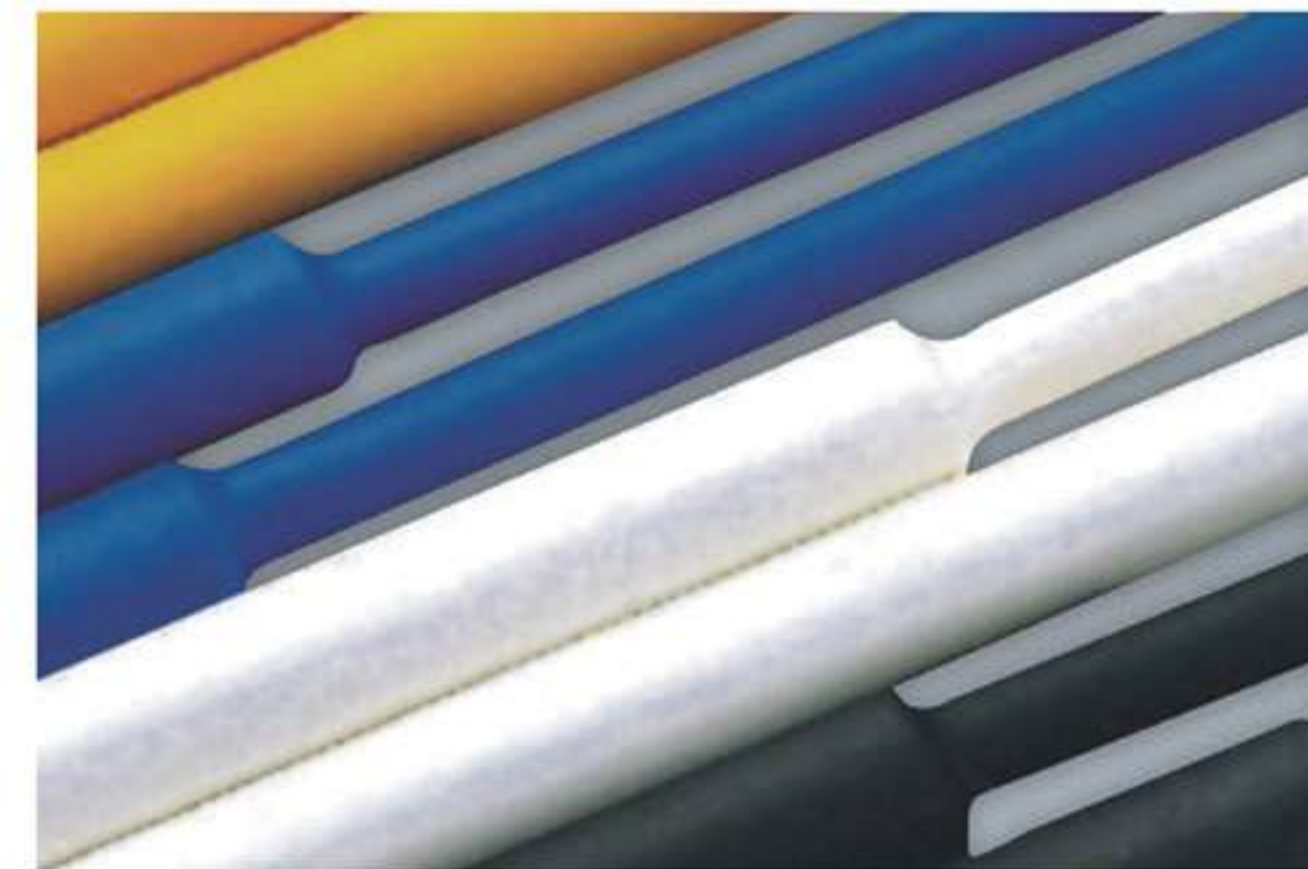
## DRS

### Function

- Material: EXA
- Wire coat and insulation
- Make the joint of terminal block and wire insulated
- Divide the colors
- Water-proof
- Protection and insulation of insistors and electrical capacitors

### Standard color

- Black, white, red, blue, yellow, green, brown, grey, orange and purple



Description		As supplied		Dimension		Quantity	Price
Model	Color	I.D(mm)	Thickness(mm)	I.D(mm)	Thickness(mm)		
DRS-1	—	1.0	0.20±0.05	0.50	0.40±0.05	200 m/roll	—
DRS-1.5	—	1.5	0.20±0.05	0.75	0.40±0.05	200 m/roll	—
DRS-2	—	2.0	0.25±0.05	1.00	0.45±0.01	200 m/roll	—
DRS-2.5	—	2.5	0.25±0.05	1.25	0.45±0.01	200 m/roll	—
DRS-3	—	3.0	0.25±0.05	1.50	0.45±0.01	200 m/roll	—
DRS-3.5	—	3.5	0.25±0.05	1.75	0.45±0.01	200 m/roll	—
DRS-4	—	4.0	0.25±0.05	2.00	0.45±0.01	200 m/roll	—

Description		As supplied		Dimension		Quantity	Price
Model	Color	I.D(mm)	Thickness(mm)	I.D(mm)	Thickness(mm)		
DRS-5	Red	5.0	0.35±0.05	2.5	0.55±0.10	100 m/roll	P1,000.00
DRS-6	—	6.0	0.35±0.05	3.0	0.55±0.10	100 m/roll	—
DRS-7	—	7.0	0.35±0.05	3.5	0.55±0.10	100 m/roll	—
DRS-8	Yellow	8.0	0.35±0.05	4.0	0.55±0.10	100 m/roll	P1,040.00
DRS-9	—	9.0	0.35±0.05	4.5	0.55±0.10	100 m/roll	—
DRS-10	—	10.0	0.35±0.05	5.0	0.60±0.10	100 m/roll	—
DRS-11	—	11.0	0.35±0.05	5.5	0.60±0.10	100 m/roll	—
DRS-12	Green	12.0	0.35±0.10	6.0	0.70±0.10	100 m/roll	P1,365.00
DRS-13	—	13.0	0.35±0.10	6.5	0.70±0.10	100 m/roll	—
DRS-14	—	14.0	0.35±0.10	7.0	0.70±0.10	100 m/roll	—
DRS-15	—	15.0	0.35±0.10	7.5	0.70±0.10	100 m/roll	—
DRS-16	—	16.0	0.35±0.10	8.0	0.70±0.10	100 m/roll	—
DRS-18	—	18.0	0.40±0.10	9.0	0.80±0.10	100 m/roll	—
DRS-20	Blue	20.0	0.50±0.10	10.0	0.90±0.10	100 m/roll	P3,100.00
DRS-22	—	22.0	0.50±0.10	11.0	0.90±0.10	100 m/roll	—

Description		As supplied		Dimension		Quantity	Price
Model	Color	I.D(mm)	Thickness(mm)	I.D(mm)	Thickness(mm)		
DRS-25	—	25.0	0.50±0.10	12.5	0.90±0.10	50 m/roll	—
DRS-28	—	28.0	0.50±0.10	14.0	0.90±0.10	25 m/roll	—
DRS-30	Black	30.0	0.50±0.10	15.0	1.00±0.20	25 m/roll	P1,300.00
DRS-35	—	35.0	0.50±0.10	17.5	1.00±0.20	25 m/roll	—
DRS-40	—	40.0	0.50±0.10	20.0	1.00±0.20	25 m/roll	—
DRS-50	—	50.0	0.50±0.10	25.0	1.00±0.20	25 m/roll	—
DRS-60	—	60.0	0.60±0.10	30.0	1.20±0.20	25 m/roll	—
DRS-70	—	70.0	0.60±0.10	35.0	1.20±0.20	25 m/roll	—
DRS-80	—	80.0	0.60±0.10	40.0	1.20±0.20	25 m/roll	—
DRS-90	—	90.0	0.60±0.10	45.0	1.30±0.20	25 m/roll	—
DRS-100	—	100.0	0.70±0.10	50.0	1.30±0.20	25 m/roll	—
DRS-120	—	120.0	0.70±0.10	60.0	1.30±0.20	25 m/roll	—
DRS-150	—	150.0	0.80±0.10	75.0	1.60±0.20	25 m/roll	—

# HEAT SHRINK TUBING

## HST

### Function

- Material: EXA
- Wire coat and insulation
- Make the joint of terminal block and wire insulated
- Divide the colors
- Water-proof
- Protection and insulation of insistors and electrical capacitors

### Standard color

- Black, white, red, blue, yellow, green, brown, grey, orange and purple



Item NO.	L(mm)	Size(mm)	Color	Quantity	Price
HST-100C	100mm	DRS-1.5	Black	30 m/roll	P180.00
		DRS-2.5	Yellow	30 m/roll	—
		DRS-4.0	Red	20 m/roll	—
		DRS-6.0	Green	10 m/roll	—
		DRS-10.0	Blue	6 m/roll	—
		DRS-13.0	White	4 m/roll	—

Item NO.	L(mm)	Size(mm)	Color	Quantity	Price
HST-100B	100mm	DRS-1.5	Black	30 m/roll	P175.00
		DRS-2.5	Black	30 m/roll	—
		DRS-4.0	Black	20 m/roll	—
		DRS-6.0	Black	10 m/roll	—
		DRS-10.0	Black	6 m/roll	—
		DRS-13.0	Black	4 m/roll	—